

**MPX SERIES**

**Stud Mounting, Cylindrical Type**

**◆FEATURES**

- Inverter smoothing capacitors for Industrial equipment.
- Reliability is excellent because these capacitors provide self-healing.
- High isolation and low loss of polypropylene film used.
- Mounting workability can be improved by stud fixing screw.
- RoHS compliance.

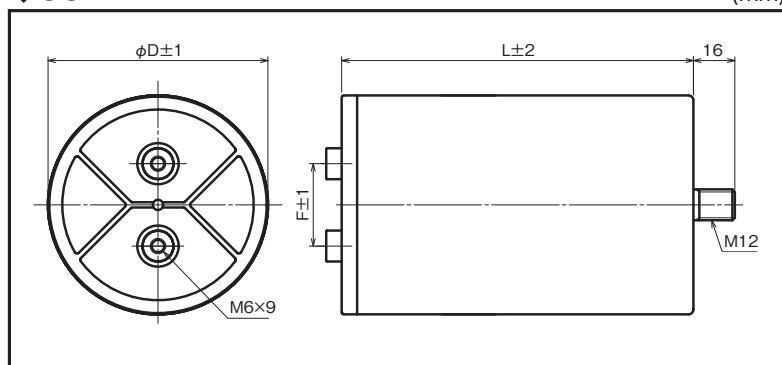


**◆SPECIFICATIONS**

Category Temperature Range	-20°C~+70°C
Rated Voltage	1100Vdc
Capacitance	220μF~1500μF
Capacitance Tolerance	-15%~+5% (A)
Voltage Proof	Between the terminals : Rated Voltage x 1.5 10s
	Between the terminal and case : 2000Vdc 10s
Insulation Resistance	6000 Ω·F (20°C 120s 500Vdc)
Terminal Tightening Torque	4±0.5 Nm
Fixing Bolt Tightening Torque	10±1.0 Nm
Case	Aluminum
Filling Resin	Epoxy Resin

**◆OUTLINE**

(mm)



**◆PART NUMBER**

111  
Rated Voltage
MPX  
Series
□□□  
Capacitance
A  
Capacitance Tolerance
R99  
Option
W6  
Terminal Code

**◆STANDARD SIZE**

Rated Voltage	Cap(μF)	Dimensions (mm)			Permissible Current (Arms/10kHz)	ESL (nH)	Part No.
		D	L	F			
1100 Vdc	220	85	106	32	25	≤40	111MPX227AR99W6
	280	85	136	32	22	≤40	111MPX287AR99W6
	330	85	136	32	27	≤40	111MPX337AR99W6
	370	85	136	32	30	≤45	111MPX377AR99W6
	420	85	136	32	43	≤50	111MPX427AR99W6
	460	116	136	50	30	≤80	111MPX467AR99W6
	500	116	136	50	36	≤80	111MPX507AR99W6
	680	116	186	50	44	≤65	111MPX687AR99W6
	1000	116	246	50	46	≤65	111MPX108AR99W6
	1200	116	246	50	48	≤70	111MPX128AR99W6
1500	116	246	50	50	≤90	111MPX158AR99W6	

•Different capacitance and rated voltage item is available. For details, please consult our sales offices.