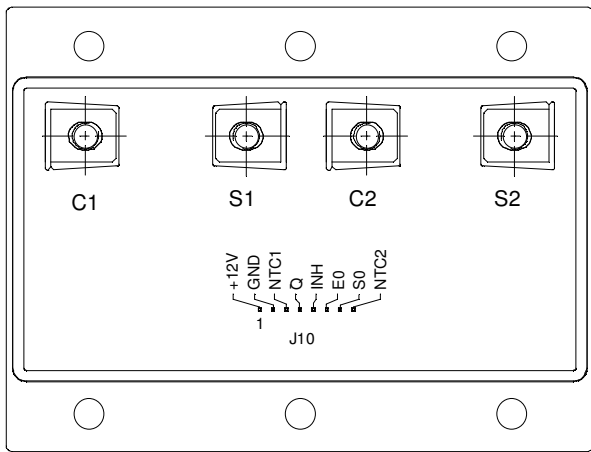
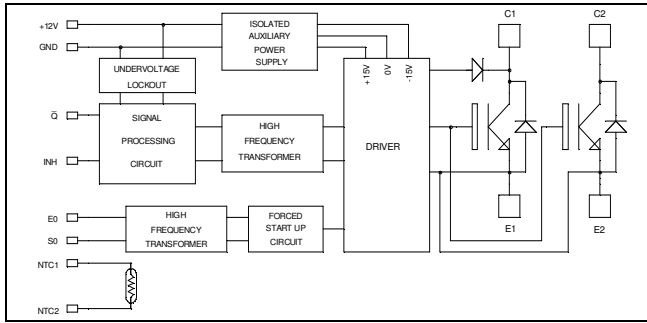


**Zero Voltage switching
Single switch
NPT IGBT Power Module**

**$V_{CES} = 1200V$
 $I_C = 210A @ T_c = 80^\circ C$**



Application

- Wide output range converters
- Induction heating
- X-Ray power supplies
- ZVS-PWM Uninterruptible Power Supplies
- High frequency, high density, high efficiency power supplies
- Welder

Features

- Integrated power and driver circuits
- Integrated DC/DC converter
- 80kHz switching frequency without high switching losses using ZVS technique
- low EMI and RFI
- isolated input signals
- Very low stray inductance
- Internal thermistor for temperature monitoring
- High level of integration

Benefits

- Outstanding performance at high frequency operation
- Direct mounting to heatsink (isolated package)
- Low junction to case thermal resistance
- Solderable terminals for signal and M5 for power for easy PCB mounting

For all ratings, C1 & C2 are connected together, same for E1 & E2.

Absolute maximum ratings

Symbol	Parameter	Max ratings	Unit
V_{CE}	Collector - Emitter Breakdown Voltage	1200	V
I_C	Continuous Collector Current	$T_c = 25^\circ C$	300
		$T_c = 80^\circ C$	210
I_{CM}	Pulsed Collector Current	600	A
P_D	IGBT Total Power Dissipation	$T_c = 25^\circ C$	1437
	Diode Total Power Dissipation	$T_c = 25^\circ C$	781
$F_{S(Max)}$	Maximum Operating Frequency	80	kHz
V_{AUX}	Isolated Auxiliary Power Supply Voltage	13	V
Q, \bar{Q}	Input Signal Voltage	13.6	

CAUTION: These Devices are sensitive to Electrostatic Discharge. Proper Handling Procedures Should Be Followed.

Static Electrical Characteristics

Symbol	Characteristic	Test Conditions	Min	Typ	Max	Unit
BV_{CES}	Collector Emitter Breakdown Voltage	$I_C = 1.5mA$	1200			V
$V_{CE(on)}$	Collector Emitter on Voltage	Q or \bar{Q} High $I_C = 300A$		$T_j = 25^\circ C$ 2.7 $T_j = 125^\circ C$ 3.3	3.2 3.9	V
I_{CES}	Zero Gate Voltage Collector Current	$V_{CC} = 800V, V_{GE} = 0V$			2250	μA

Dynamic Electrical Characteristics

Symbol	Characteristic	Test Conditions	Min	Typ	Max	Unit
C_{oes}	Output Capacitance	Q or $\bar{Q} = 0V$		2760		pF
C_{res}	Reverse Transfer Capacitance	$V_{CE} = 25V, f = 1MHz$		1320		
E_{0-S_0}	Forced Startup Voltage Level	See figures 8, 9 & 11	10		12	V
$P_W(E_{0-S_0})$	Forced Startup Pulse Width	See figures 8 & 9	1		4	μs
INH	Inhibit Voltage Level (Active Level)	See figures 4 & 10	-0.6		1	V
E_{off}	Turn-off Switching Energy	$V_{CC} = 600V$ $I_C = 300A$		$T_j = 25^\circ C$ 23.2 $T_j = 125^\circ C$ 25.5		mJ
		$V_{CC} = 600V$ $I_C = 150A$		$T_j = 25^\circ C$ 11.6 $T_j = 125^\circ C$ 12.7		

Freewheeling Diode Characteristics

Symbol	Characteristic	Test Conditions	Min	Typ	Max	Unit
V_{RRM}	Max. Peak Repetitive Reverse Voltage		1200			V
V_F	Diode Forward Voltage	$I_F = 300A$			2.5	
		$I_F = 600A$		2.7		
		$I_F = 300A$	$T_j = 150^\circ C$		2.0	
$I_{F(av)}$	Maximum Average Forward Current	Duty cycle=50% $T_C = 60^\circ C$		300		A
t_{rr}	Reverse Recovery Time	$I_F = 300A$ $V_R = 650V$ $di/dt = 800A/\mu s$	$T_j = 25^\circ C$	70		ns
			$T_j = 100^\circ C$	130		
Q_{rr}	Reverse recovery Charge	$I_F = 300A$ $V_R = 650V$ $di/dt = 800A/\mu s$	$T_j = 25^\circ C$	3.75		μC
			$T_j = 100^\circ C$	11		

Driver Characteristics

Symbol	Characteristic	Test Conditions	Min	Typ	Max	Unit
V_{AUX}	Isolated Auxiliary Power Supply Voltage		11	12	13	V
I_{AUX}	Isolated Auxiliary Power Supply Current				1.5	A
Q, \bar{Q}	Blocking Signal Input Voltage	Low level	-0.6		1	V
		High level	10		13.6	
I_Q, \bar{I}_Q	Blocking Signal Input Current				5	mA
$T_{d(on)}$	Turn-on Delay Time	See figure 5		500		ns
$T_{d(off)}$	Turn-off Delay Time	See figure 4		500		ns

NTC Characteristics

R@25°C = 68kΩ ±5%

Temperature (°C)	R(T)/R@25°C	Tolerance (%)
-30	19,33	10,9
-25	14,12	9,1
-20	10,41	7,5
-15	7,758	6,1
-10	5,834	4,9
-5	4,426	3,8
0	3,387	2,9
5	2,614	2,1
10	2,033	1,4
15	1,593	0,9
20	1,258	0,4
25	1	0
30	0,8004	0,4
35	0,6448	0,8
40	0,5228	1,3
45	0,4264	1,8
50	0,3497	2,3
55	0,2885	2,9
60	0,2392	3,5
65	0,1994	4,1
70	0,1671	4,8
75	0,1406	5,5
80	0,1189	6,2
85	0,101	6,9
90	0,08617	7,6
95	0,07381	8,3
100	0,06347	9,1
105	0,0548	9,8
110	0,04748	10,6
115	0,04129	11,3
120	0,03603	12,1
125	0,03155	12,9

Table 1, NTC Characteristics

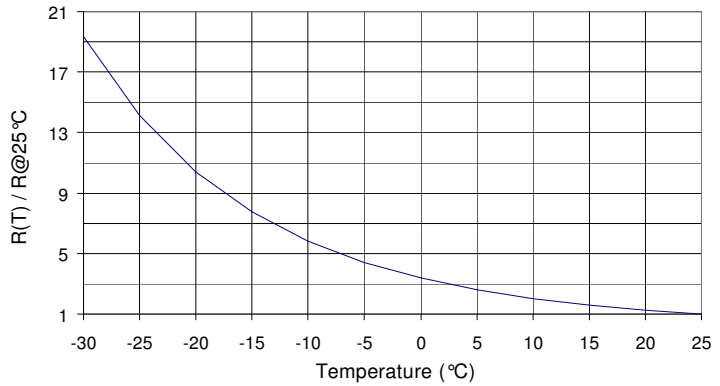


Figure 1, Normalized NTC Characteristics -30°C to 25°C

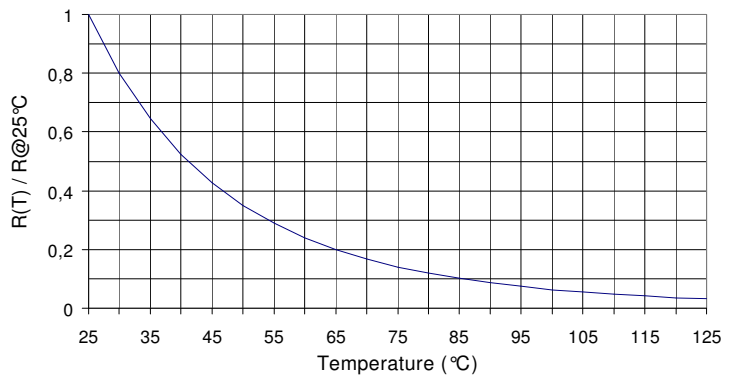


Figure 2, Normalized NTC Characteristics 25°C to 125°C

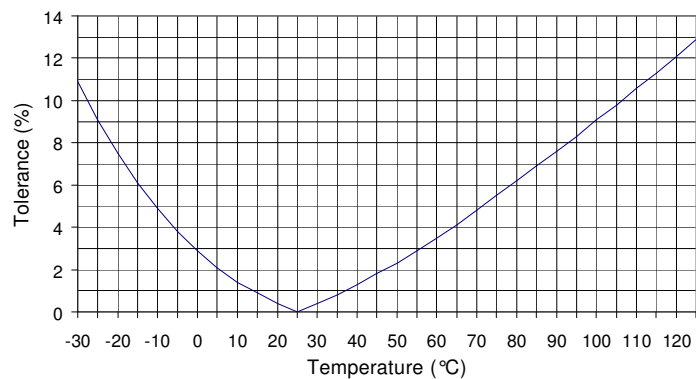
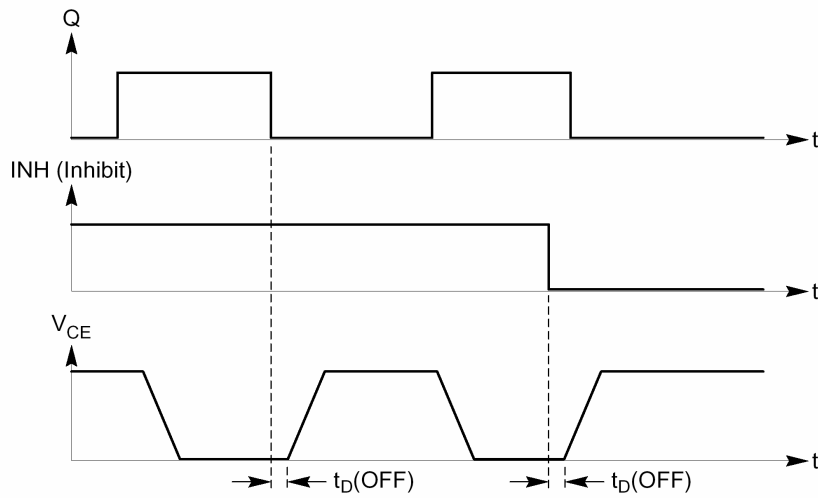


Figure 3, NTC Tolerance vs Temperature

• Figure 4 •
Turn-Off Delay Time



• Figure 5 •
Turn-On Delay Time

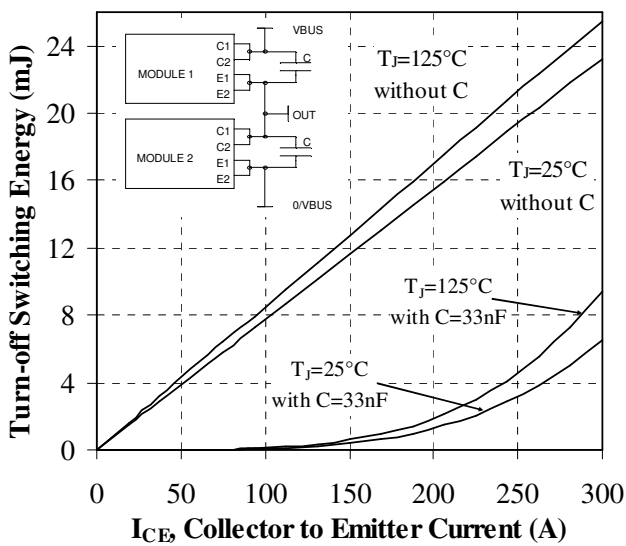
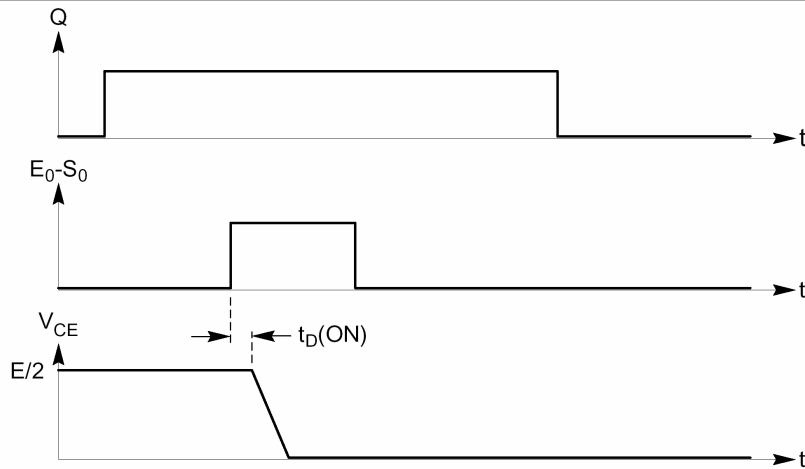


Figure 6: Turn-Off Energy losses vs Collector Current

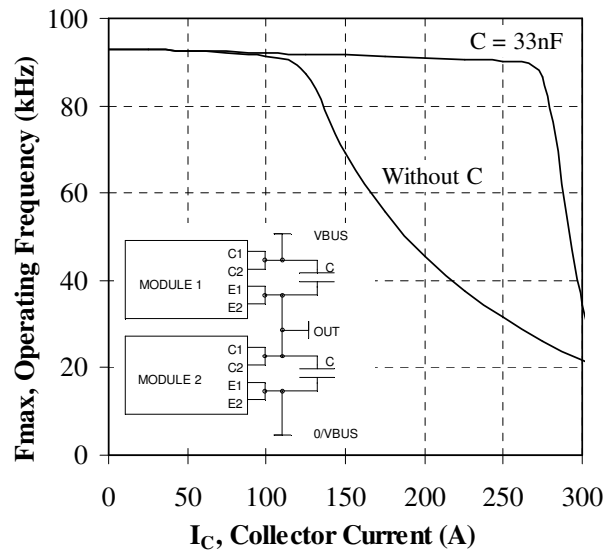
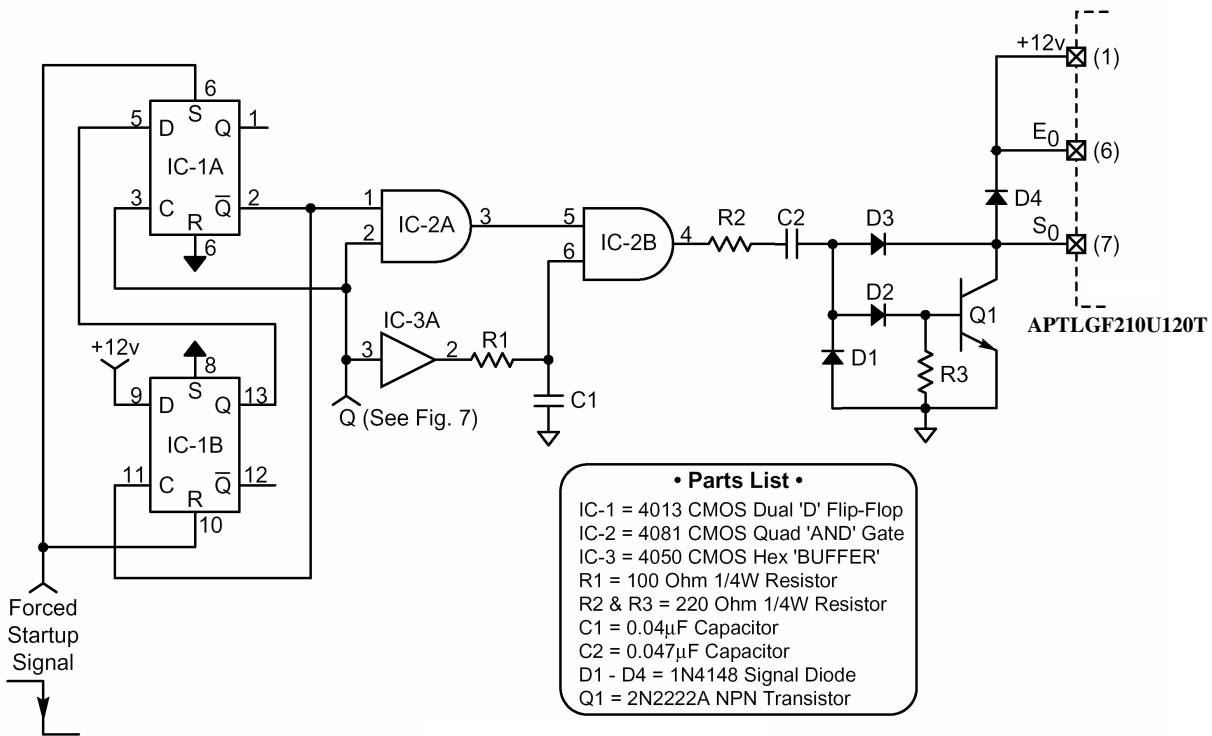


Figure 7: Operating Frequency vs Collector Current

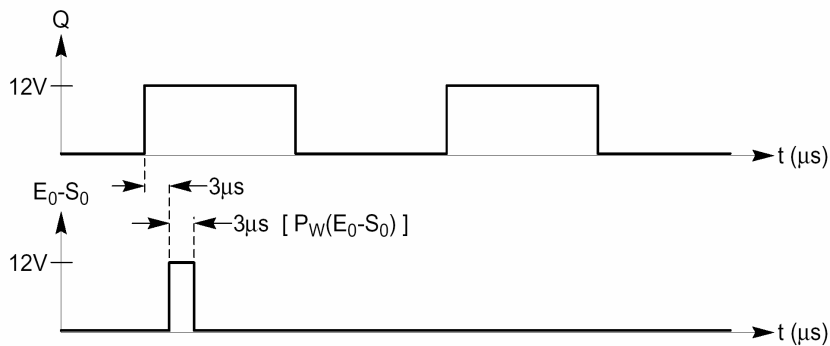


• Figure 8 •
Full Voltage Startup Circuit

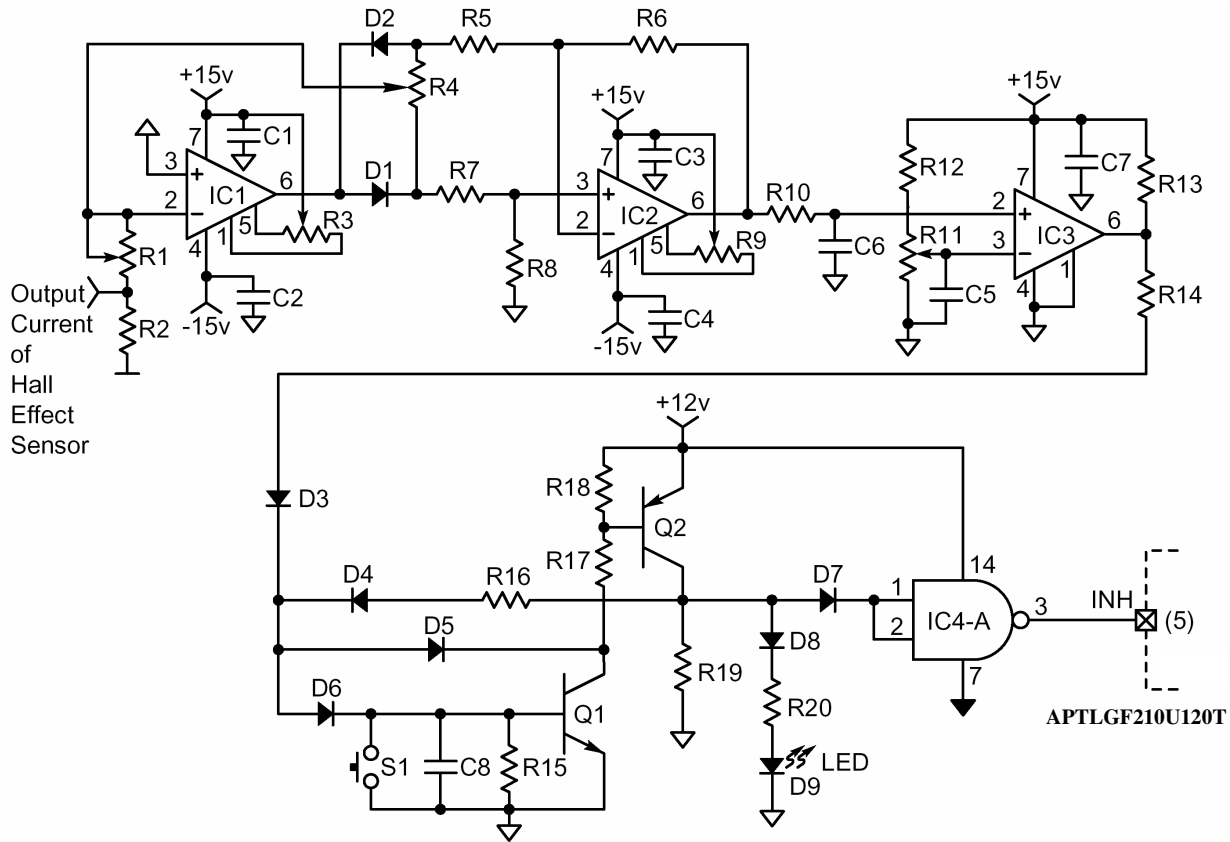
• After power is applied and/or after an inhibit (INH) signal (active low) has been applied and removed, the APTLGF210U120T module requires a forced startup signal between E₀-S₀, forcing startup under full voltage conditions. The forced startup signal must be a single pulse and cannot be repeated with a frequency greater than 1 kHz. The duration of this pulse must be between 1 & 4μsec and must be synchronized with input signal Q being high. The startup timing diagram is shown in figure 9.

• The circuit, shown in figure 8 is proposed as an example for generating the startup pulse for inputs E₀ and S₀. The signal is initiated by the falling edge of a voltage applied to the forced startup signal input. The circuit will synchronize the forced startup signal with Q and forcing the upper switch to turn ON.

• The startup signal, between E₀-S₀, may also be implemented by a negative pulse synchronized with input signal Q being low and forcing the lower switch to turn ON. Examples of both startup sequences being used in the startup of a full – bridge configuration is shown in figure 11.



• Figure 9 •
Startup Pulse
Timing Diagram



• Parts List •		
IC-1 & 2 = LF-355 JFET Op Amp	R3 & R9 = 22K Ohm Trim Pot.	R18 = 330 Ohm 1/4W Resistor
IC-3 = LM-311 Voltage Comparator	R2 & R3 = 47K Ohm 1/4W Resistor	R19 = 22K Ohm 1/4W Resistor
IC-4 = 4011 CMOS Quad 'NAND' Gate	R5 - R8 = 220 Ohm 1/4W Resistor	R20 = 820 Ohm 1/4W Resistor
D1 - D8 = 1N4148 Signal Diode	R10 = 2.2K Ohm 1/4W Resistor	C1 - C4; C6 & C7 = 0.1µF Capacitor
Q1 = BC237 NPN Transistor	R12 = 4.7K Ohm 1/4W Resistor	C5 = 10pF Capacitor
Q2 = BC307 PNP Transistor	R13 & R16 = 10K Ohm 1/4W Resistor	C8 = 33pF Capacitor
R1, R4 & R11 = 10K Ohm Trim Pot.	R14 & R17 = 1K Ohm 1/4W Resistor	
R2 = 100 Ohm 1/4W Resistor	R15 = 3.3K Ohm 1/4W Resistor	

Figure 10: Inhibit Circuit for APTLGF210U120T

- The APTLGF210U120T modules can be protected against over currents by the inhibit circuit shown above.
- This circuit can be implemented by one of several functions:
 - Output current measurement with Hall sensor.
 - Rectification of the measured value without offset.
 - Comparison of this value to a reference value (inhibit level fixed by potentiometer).
 - Memorization of the inhibit order.
 - Inhibit signal adaption.
- When the inhibit order is given, the default is latched and the output of the circuit connected to the INH (pin5) input of the APTLGF210U120T module switches to a low level (the active level for INH). Then the LED (D9) illuminates.
- Pushbutton switch (S1) provides a source for the re-initialization of the Inhibit circuit.

For more information see APT9904 and APT9601 application notes.

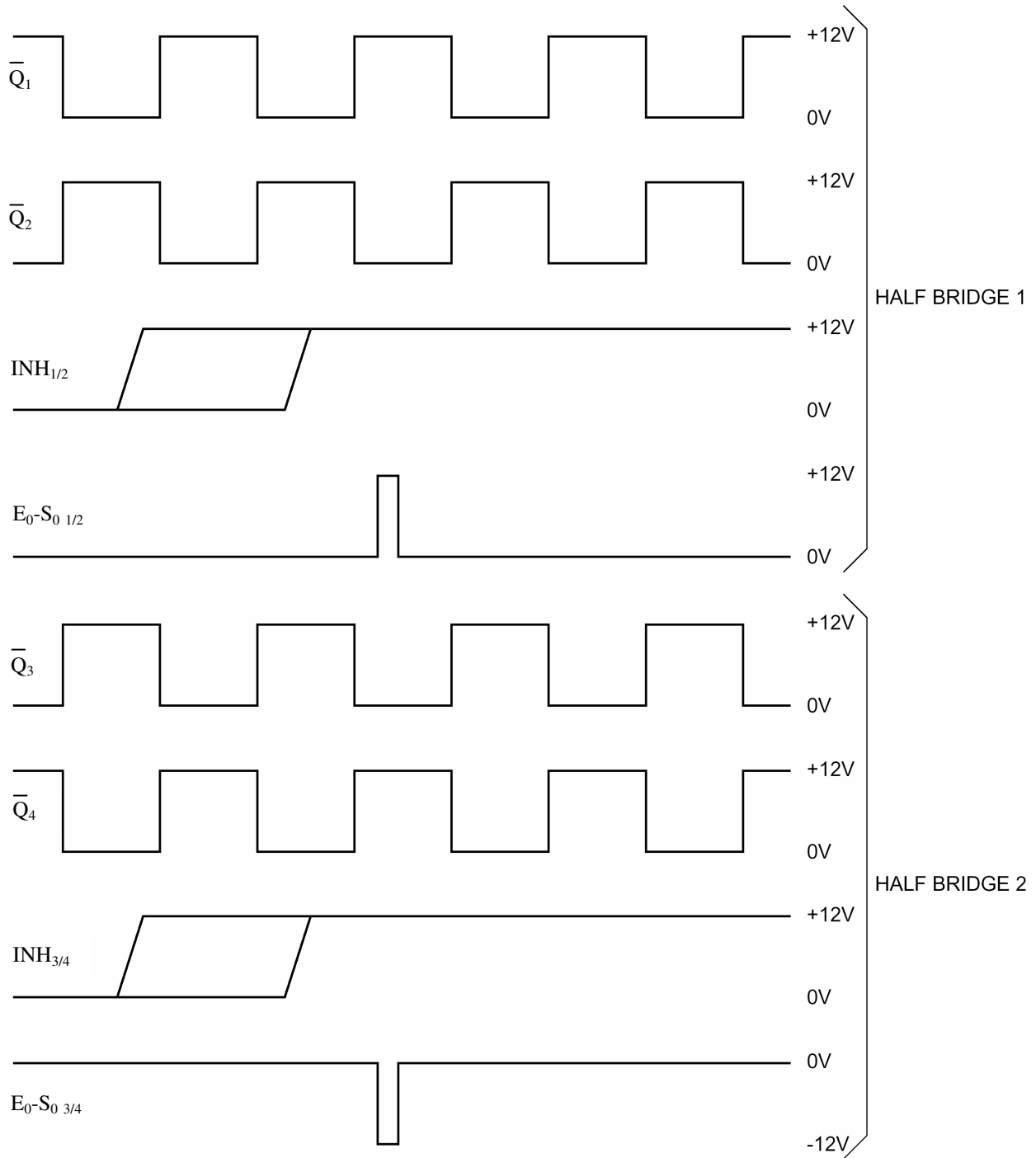


Figure 11: example of input signal for 4 x APTLGF210U120T modules connected in a Full Bridge configuration

APT reserves the right to change, without notice, the specifications and information contained herein

APT's products are covered by one or more of U.S patents 4,895,810 5,045,903 5,089,434 5,182,234 5,019,522 5,262,336 6,503,786 5,256,583 4,748,103 5,283,202 5,231,474 5,434,095 5,528,058 and foreign patents. U.S and Foreign patents pending. All Rights Reserved.