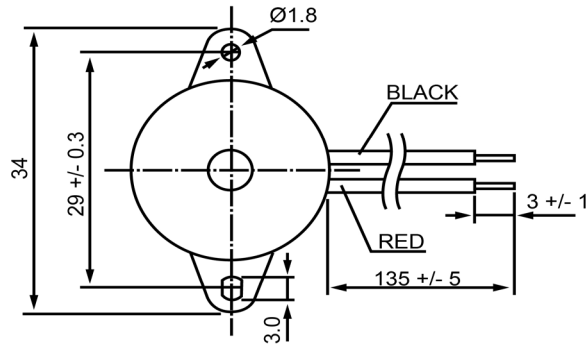
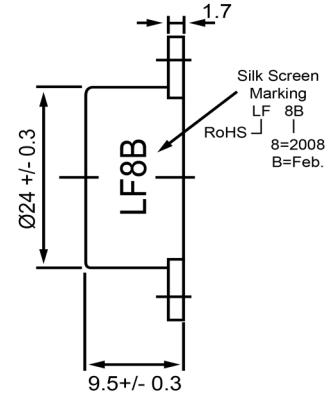



TOP VIEW



SIDE VIEW



Specifications			Notes	Revision History					
Description	Value	Unit		Version	Description	Date	Approved		
Technology	Piezo		1) All dimensions are in mm unless otherwise noted 2) All parts meet RoHS 	1	Released from Engineering	10/21/2013	J.S		
Resonant Frequency	3,400	(Hz)							
Rated Voltage	9	(V)							
SPL @ 10cm	92	(dBA)							
Tone	Single								
Mount Type	Flange								
Voltage Range	3 ~ 20	(V)							
Max Rated Current	10	(mA)							
Housing Material	PBT								
Operating Temperature	-20 ~ +65	°C							
Storage Temperature	-20 ~ +65	°C							
Weight	4	(g)							
				Piezo Indicator		IP243409-1			
				Drawn by	Date	Checked by	Date	Approved by	Date
				A.B.	10/21/2013	C.E.	10/21/2013	J.S	10/21/2013