

1

2

3

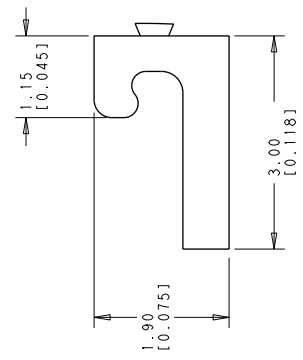
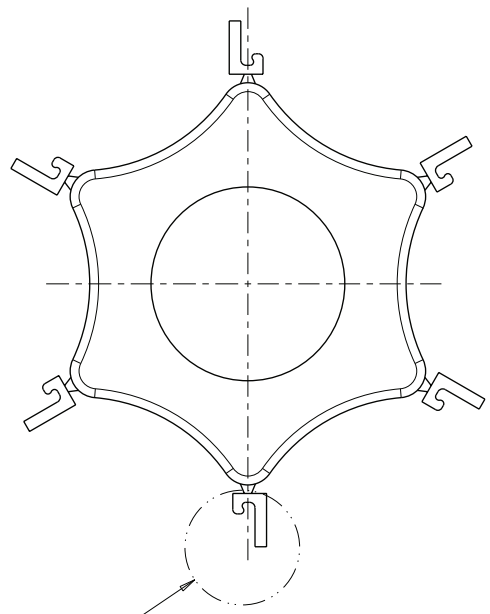
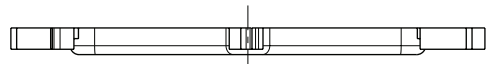
4

THIS DRAWING IS UNPUBLISHED. RELEASED FOR PUBLICATION 2009  
 © COPYRIGHT 2009 ALL RIGHTS RESERVED.

LOCK DIST -  
 AI

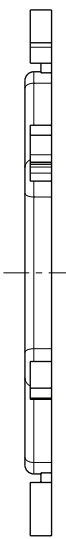
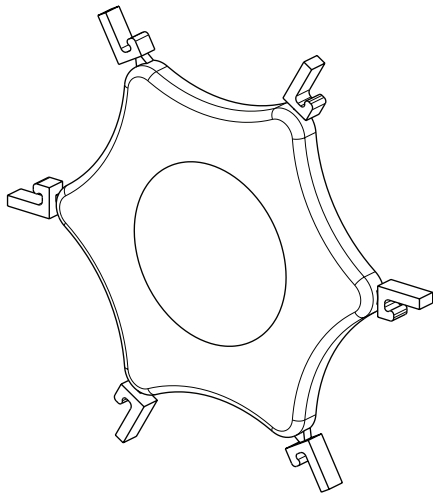
REVISIONS  
 P LTR DESCRIPTION DATE DWM JFSD

P	LTR	DESCRIPTION	DATE	DWM	JFSD
A		REVISED PER ECO-11-022623	18NOV11	RH	MS



DETAIL A  
 SCALE 20:1

SEE DETAIL A



1986671-1  
 PART NUMBER

THIS DRAWING IS A CONTROLLED DOCUMENT.		REVISED FEB 2011	STE	TE Connectivity
DRAWN BY: RICHARD CALHOUN		DATE: FEB 2011		
CHECKED BY: RICHARD CALHOUN		DATE: FEB 2011		
DIMENSIONS: MM [INCHES]		PRODUCT SPEC	PLZLN.KEY, TERMI-BLOK PLUG	
OTHER TOLERANCES UNLESS OTHERWISE SPECIFIED:		APPLICATION SPEC	RESTRICTED TO	
0 P L C ±	1 P L C ±	SIZE	A200779	
2 P L C ±	3 P L C ±	WEIGHT	1986671	
4 P L C ±	5 P L C ±	FINISH	CUSTOMER DRAWING	
MATERIAL: PA 6.6 COLOR RED		SCALE: 5:1 SHEET 1 of 1 REF A		