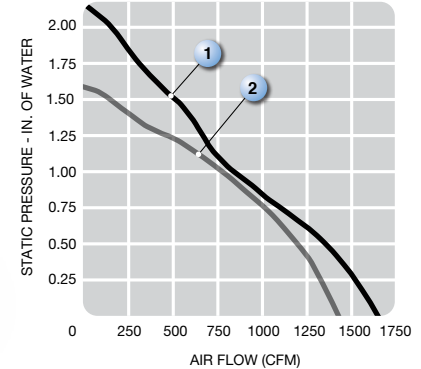
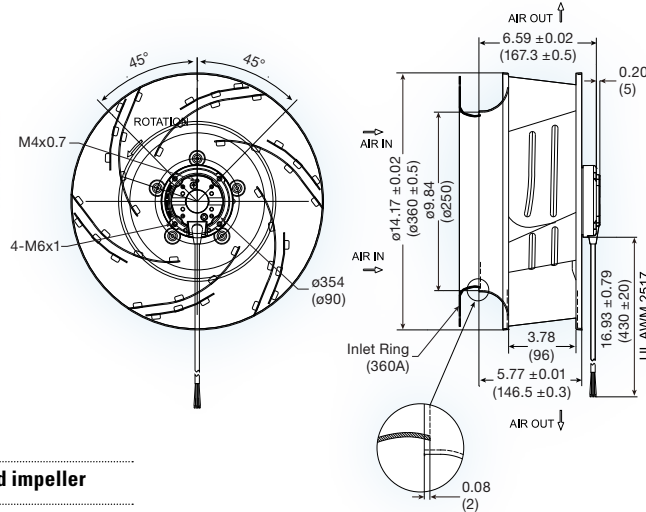


# UF360AAA series



1 = 60 Hz 2 = 50 Hz



**(360 dia. x 167.3 mm)**  
14.17 dia. x 6.59 inches

**Features:** backward curved impeller

**Operating voltage:** 115 or 230 VAC

**Construction:** aluminum die cast motor base, aluminum impeller

**Bearing option:** ball bearing

**Motor:** permanent split capacitor required capacitor included

**Air Flow:** centrifugal

**Connection:** AWM 2517 lead wires

Model No.	Rated Voltage V	Freq. HZ	Input Power W	Rated Cur. A	Locked Cur. A	Speed RPM	Air Volume		Max. Static Pressure (H <sub>2</sub> O)		Sound Noise dba	Weight kg
							M <sup>3</sup> /Min.	CFM	MM	INCH		
UF360AAA12-H1C4A	115	50	190	1.70	4.24	1,400	40.5	1430	40	1.6	66	5.1
	115	60	270	2.26	4.00	1,600	46.5	1645	55	2.2	70	5.1
UF360AAA23-H1C4A	230	50	190	0.85	2.12	1,400	40.5	1430	40	1.6	66	5.1
	230	60	265	1.13	2.00	1,600	46.5	1645	55	2.2	70	5.1

