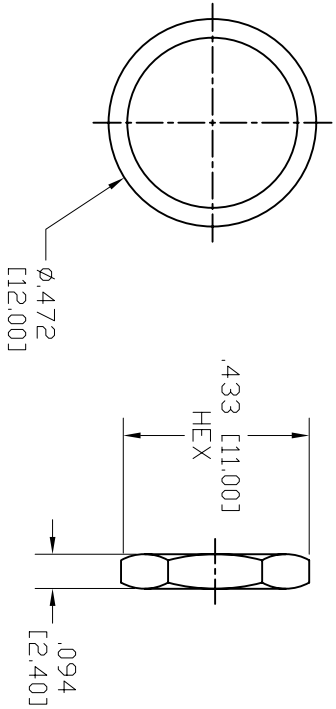
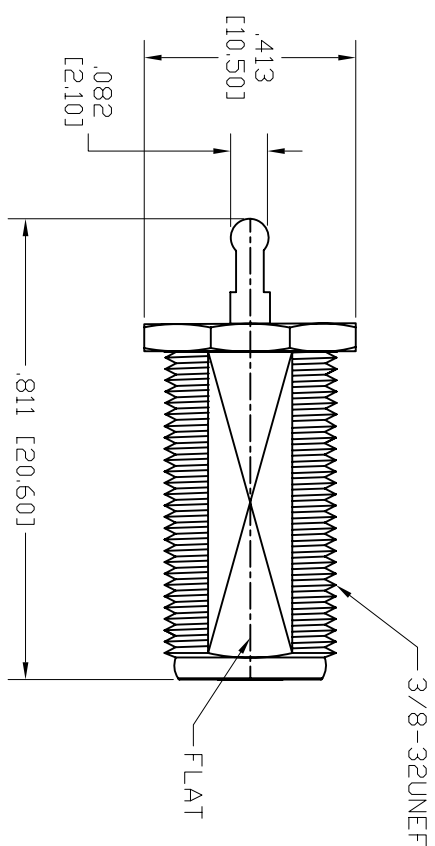


Rev	AWO #	Description	Date	Appr
-		RELEASED	4/28/06	

APPROVED: _____
 DATE: _____ TITLE: _____



SPECIFICATIONS:

- Material:**
 Insulator: Polypropylene
 Pin: Brass Tin plated
 Body: Brass, Nickel plated
 Nut: Steel, Nickel plated
- Electrical:**
 Nominal Impedance: 75 ohms
 Frequency range: 0-6 GHz
 Maximum peak voltage: 500V
 Insulation resistance: 5000 Mohm min
 Dielectric withstanding voltage: 1000 VAC rms
- Temperature Rating:**
 Operating temperature: -65C to +165C
 Environmental:
 Lead free, RoHS compliant.



ADAM TECH

909 Railway Avenue, Union, NJ 07083
 Phone: 908-687-5000 Fax: 908-687-5710

TITLE: RF CONNECTOR, TYPE F, BULK HEAD,
 SOLDER, 75 OHM,

UNLESS OTHERWISE SPECIFIED ALL DIMENSIONS ARE MM [INCHES] TOLERANCES: EXCEPT AS NOTED		INCHES		HOLDS	
.X	± .10	ØX	± .10		
.XX	± .020	ØXX	± .015		
.XXX	± .015	ØXXX	± .010		
APPROVALS		DATE			
DRAWN	SLS	4/28/06			
CHECKED					
APPROVED					
SIZE	PART NO.	SCALE	NTS	SHEET	1 OF 1
X	RF4-24P-00-75				
REV.					