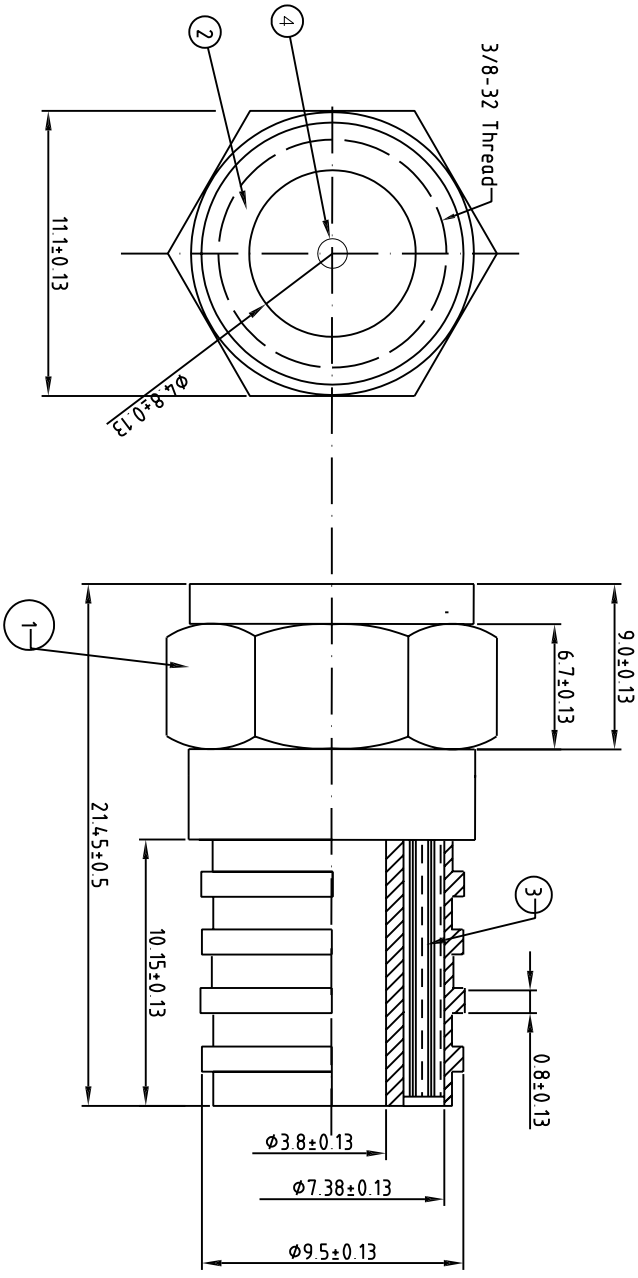


Rev	AWO #	Description	Date	Appr
-		RELEASED	7/13/04	

APPROVED: \_\_\_\_\_  
 DATE: \_\_\_\_\_ TITLE: \_\_\_\_\_



- Plating Nickel
- 1 Female F Connector
- 2 Rubber "O" Ring
- 3 Silicon Jell Filled
- 4 Delrin Insulator

UNLESS OTHERWISE SPECIFIED ALL DIMENSIONS ARE MM [INCHES] TOLERANCES: EXCEPT AS NOTED	
INCHES	HOLDS
.X ± .10	ØX ± .10
.XX ± .020	ØXXX ± .015
.XXX ± .015	ØXXXX ± .010
APPROVALS	DATE
DRAWN SS	7/13/04
CHECKED	
APPROVED	

<b>ADAM TECH</b>	
909 Rahway Avenue, Union, NJ 07083	
Phone: 908-687-5000 Fax: 908-687-5710	
TITLE: RF CONNECTOR, TYPE F, 75 OHM, DELRIN INSULATOR	
SIZE: X	PART NO.: RF4-12-D-04-75
REF:	SCALE: NTS
	SHEET 1 OF 1