
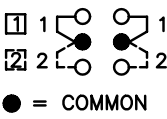
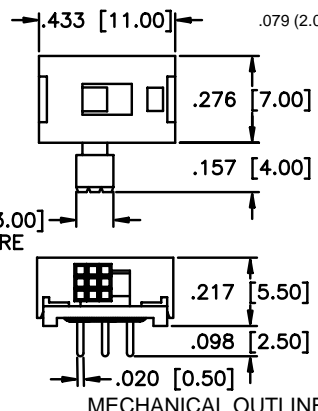
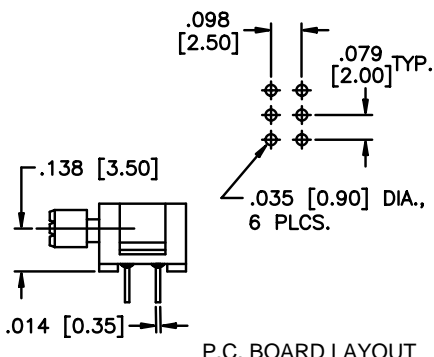

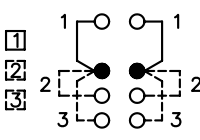
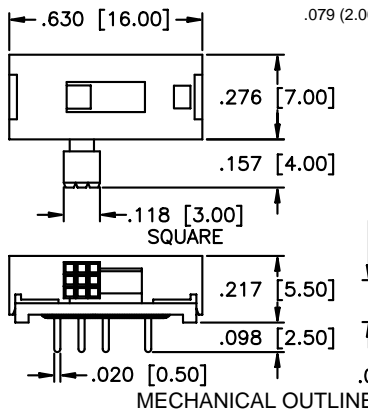
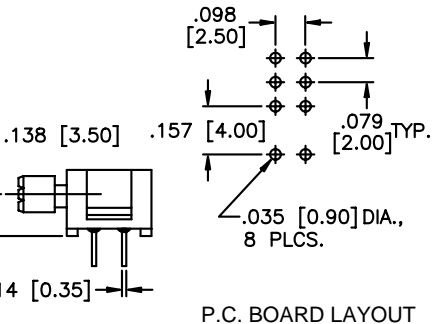

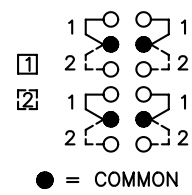
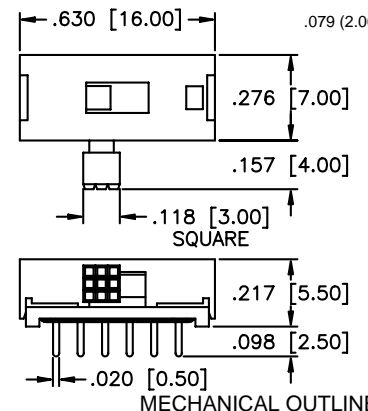
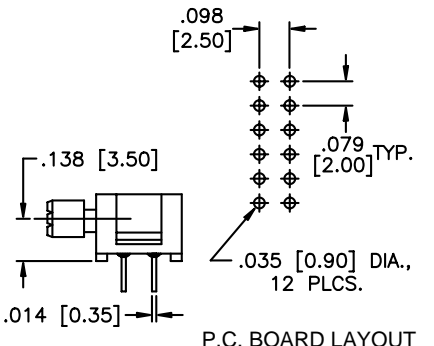


MMS Series

Microminiature Slide Switches

SPECIFICATIONS SUBJECT TO CHANGE WITHOUT NOTICE


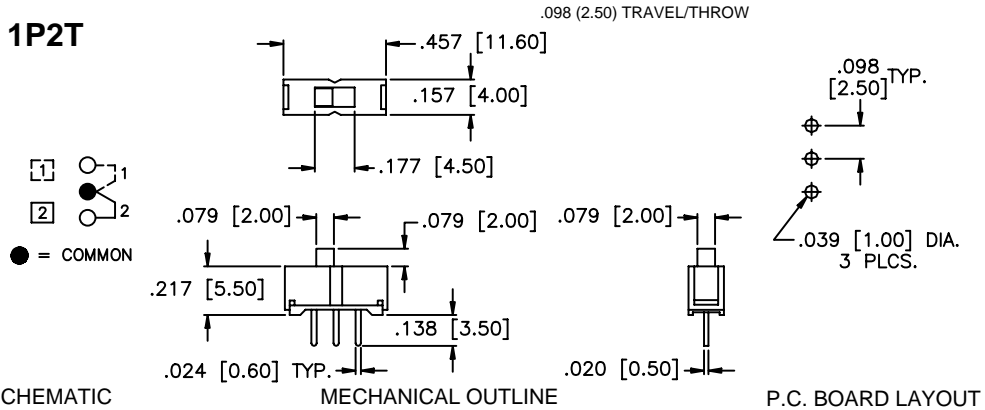

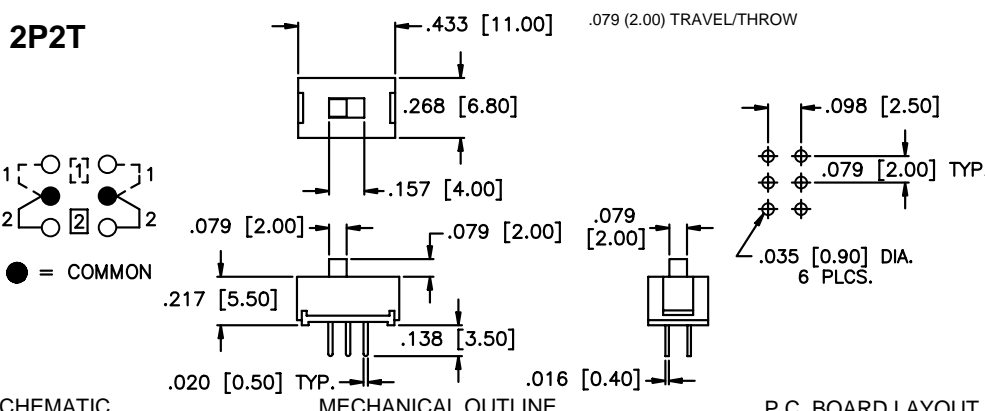

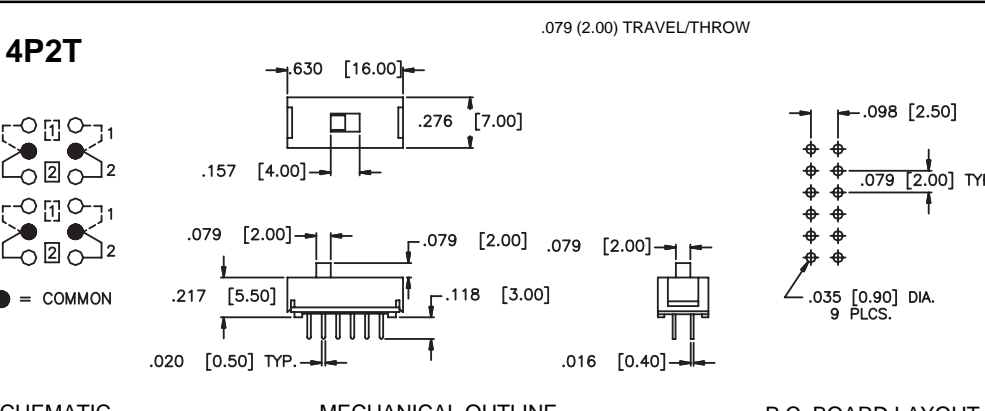

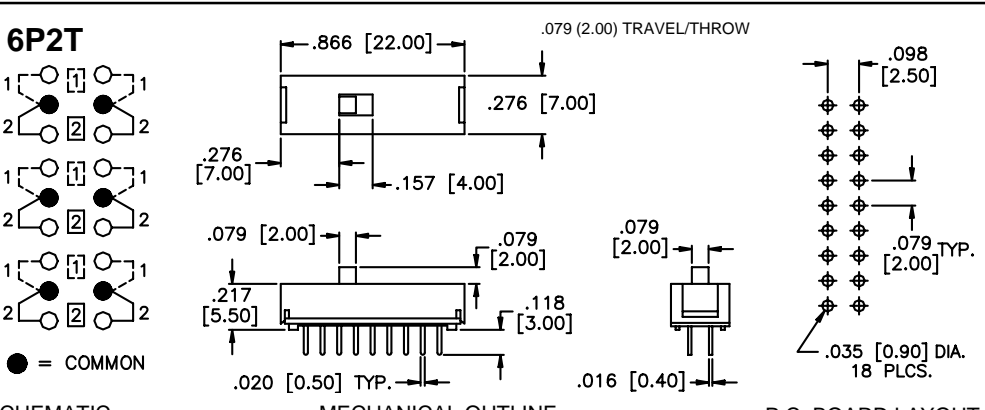
| SPECIFICATIONS | FEATURES |
|--|---|
| <p>Contact ratings: 300 mA at 30 VDC</p> <p>Initial contact resistance: 25 milliohms max.</p> <p>Insulation resistance: 100 megohms min. at 500 VDC</p> <p>Dielectric strength: 500 volts RMS for 1 minute</p> <p>Electrical life: 10,000 cycles min.</p> <p>Operating temperature range: -20°C to +70°C</p> <p>Solder heat resistance: 255°C max. for 5 seconds max.</p> <p>Washing not recommended</p> | <ul style="list-style-type: none"> ● Bifurcated wiping contact design. ● Low Profile. ● Epoxy sealed terminals. ● Cosmetic molded case. |
| MATERIALS | |
| <p>Contacts & terminals: Silver plated</p> <p>Case: Polyacetal</p> <p>Actuator: PBT Base: Glass filled PBT</p> <p>Terminal seal: Epoxy or phenol resin</p> | |

| MODEL NO. | | | |
|---|--|--|--|
| MMS22R | | | |
|  <p>RIGHT ANGLE ACTUATOR</p> | <p>2P2T</p>  <p>● = COMMON</p> |  <p>MECHANICAL OUTLINE</p> |  <p>P.C. BOARD LAYOUT</p> |
| MODEL NO. | | | |
| MMS23R | | | |
|  <p>RIGHT ANGLE ACTUATOR</p> | <p>2P3T</p>  <p>● = COMMON</p> |  <p>MECHANICAL OUTLINE</p> |  <p>P.C. BOARD LAYOUT</p> |
| MODEL NO. | | | |
| MMS42R | | | |
|  <p>RIGHT ANGLE ACTUATOR</p> | <p>4P2T</p>  <p>● = COMMON</p> |  <p>MECHANICAL OUTLINE</p> |  <p>P.C. BOARD LAYOUT</p> |

MMS Series

Microminiature Slide Switches

SPECIFICATIONS SUBJECT TO CHANGE WITHOUT NOTICE

| | |
|--|---|
| <p>MODEL NO.</p> <p>MMS1208</p>  <p>VERTICAL ACTUATOR</p> | <p>1P2T .098 (2.50) TRAVEL/THROW</p>  <p>SCHEMATIC MECHANICAL OUTLINE P.C. BOARD LAYOUT</p> |
| <p>MODEL NO.</p> <p>MMS2214</p>  <p>VERTICAL ACTUATOR</p> | <p>2P2T .079 (2.00) TRAVEL/THROW</p>  <p>SCHEMATIC MECHANICAL OUTLINE P.C. BOARD LAYOUT</p> |
| <p>MODEL NO.</p> <p>MMS42</p>  <p>VERTICAL ACTUATOR</p> | <p>4P2T .079 (2.00) TRAVEL/THROW</p>  <p>SCHEMATIC MECHANICAL OUTLINE P.C. BOARD LAYOUT</p> |
| <p>MODEL NO.</p> <p>MMS6202</p>  <p>VERTICAL ACTUATOR</p> | <p>6P2T .079 (2.00) TRAVEL/THROW</p>  <p>SCHEMATIC MECHANICAL OUTLINE P.C. BOARD LAYOUT</p> |