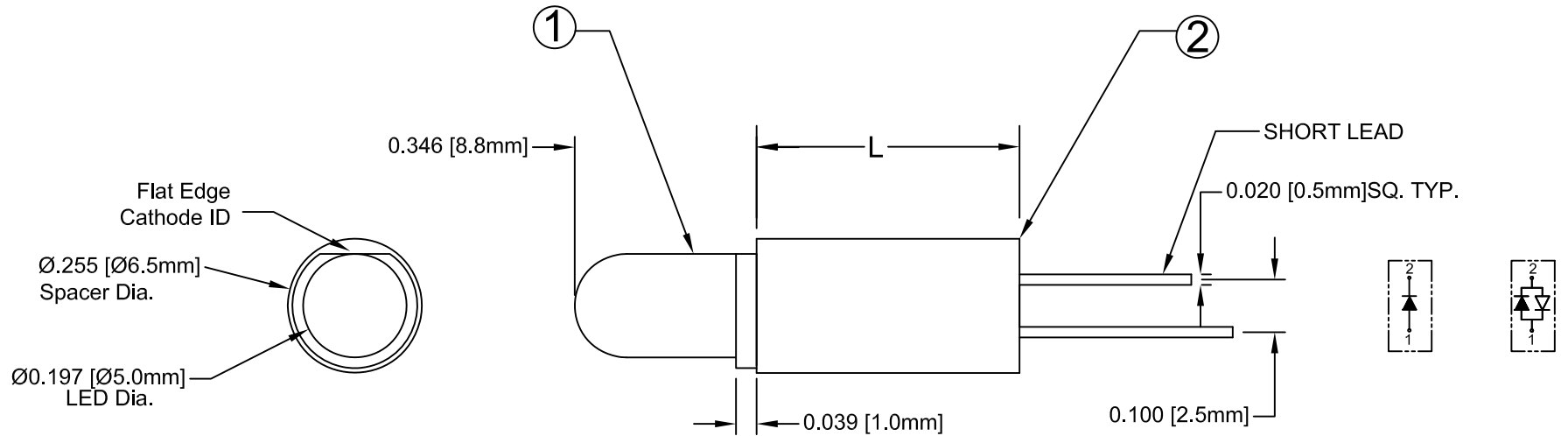
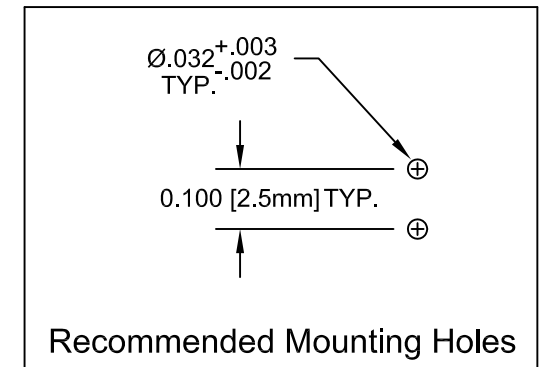


| ITEM | Q'TY | PART NUMBER | PART DESCRIPTION |
|------|------|-------------|---|
| 1 | 1 | 5XX-F | T-1 3/4 (5mm) Flange LED, See sheet 2 & 3 |
| 2 | 1 | ELM 3-XXX | Extruded, Self-Retaining LED Spacer |

| REV. | DESCRIPTION | DATE | APPROVED |
|------|--------------------------------------|----------|----------|
| B | Updated Drawing to Show Flanged LED. | 10/17/06 | M. C. |
| C | Changed Spacer from ELM3 to ELM8. | 01/17/07 | M. C. |
| D | Added -F to Sheets 2 and 3. | 01/04/08 | M. C. |
| E | Removed Tolerance Note. | 09/03/08 | M. C. |
| F | Added Bi-Color LEDs on Sheet 3 | 02/09/11 | T. Y. |
| G | Added Tape & Reel Options | 06/07/11 | T. Y. |
| H | Tape & Reel Design Update | 11/21/11 | T. Y. |
| J | Corrected P/N Typo in BOM | 09/25/13 | T. Y. |





| BI-COLOR POLARITY | | |
|-------------------|-------------|-------------|
| LED P/N | (1) Cathode | (2) Cathode |
| 5BC-F | Green | Red |
| 5BC-Y/G-F | Green | Yellow |




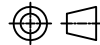
ABSOLUTE MAXIMUM RATINGS (Ta = 25°C)

REVERSE VOLTAGE _____ 5V
 REVERSE CURRENT (VR=5V) _____ 100µA
 OPERATING TEMPERATURE RANGE _____ -25°C ~ 85°C
 STORAGE TEMPERATURE _____ -30°C ~ 100°C
 LEAD SOLDERING TEMPERATURE (1/16" FROM BODY) _____ 260°C for 5 Seconds

| STANDARD TOLERANCE (UNLESS OTHERWISE SPECIFIED) | |  4 THOMAS, IRVINE, CA. 92618 TEL: (949) 951-8808 FAX: (949) 951-3974 | |
|--|--------------------------|---|---|
| DECIMALS | ANGULAR | | |
| .X ± .1 | X° ± 1° |  | TITLE: Extruded Vertical T-1 3/4 (5mm) LED Standard Spacer Profile Assy |
| .XX ± .02 | | | |
| .XXX ± .010 | | | |
| DESIGNED: Sonny Dam | DATE: 05/05/06 | PART NO: ELM3XXX5XX | REVISION: J |
| CHECKED: T. Yin | DATE: 05/05/06 | CAGE CODE : 32559 | SHEET # 1 OF 4 |
| CAD GENERATED DOCUMENT, DO NOT MEASURE DRAWING. | | | |

| | | | |
|------|--------------|------|----------|
| REV. | DESCRIPTION | DATE | APPROVED |
| | See Sheet #1 | | |


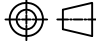
| LED Assy. No. | Chip | | | Lens Appearance | Electro-Optical Data @ 20mA | | | | Viewing Angle 2 θ ½ (Deg) | LED P/N |
|----------------|-----------|------------------|---------------|-----------------|-----------------------------|--------|-----|----------|---------------------------------|-----------|
| | Material | Peak Wave Length | Emitted Color | | If (mA) | Vf (V) | | Iv (mcd) | | |
| | | | | | MAX | TYP | MAX | TYP | | |
| ELM3XXX5BWC | GaN/SiC | 430 | BLUE | WATER CLEAR | 25 | 4 | 4.5 | 25 | 20 | 5BWC-F |
| ELM3XXX5BWD | GaN/SiC | 430 | BLUE | DIFFUSED | 25 | 4 | 4.5 | 15 | 45 | 5BWD-F |
| ELM3XXX5BWT | GaN/SiC | 430 | BLUE | TINTED | 25 | 4 | 4.5 | 30 | 20 | 5BWT-F |
| ELM3XXX5GC | GaP/GaP | 568 | GREEN | WATER CLEAR | 30 | 2.1 | 2.8 | 40 | 35 | 5GC-F |
| ELM3XXX5GD | GaP/GaP | 568 | GREEN | DIFFUSED | 30 | 2.1 | 2.8 | 25 | 45 | 5GD-F |
| ELM3XXX5GT | GaP/GaP | 568 | GREEN | TINTED | 30 | 2.1 | 2.8 | 40 | 35 | 5GT-F |
| ELM3XXX5PGC | GaP/GaP | 555 | PURE GREEN | WATER CLEAR | 30 | 2.2 | 2.8 | 10 | 35 | 5PGC-F |
| ELM3XXX5PGD | GaP/GaP | 555 | PURE GREEN | DIFFUSED | 30 | 2.2 | 2.8 | 10 | 45 | 5PGD-F |
| ELM3XXX5PGT | GaP/GaP | 555 | PURE GREEN | TINTED | 30 | 2.2 | 2.8 | 10 | 35 | 5PGT-F |
| ELM3XXX5YC | GaAsP/GaP | 590 | YELLOW | WATER CLEAR | 30 | 2 | 2.8 | 40 | 35 | 5YC-F |
| ELM3XXX5YD | GaAsP/GaP | 590 | YELLOW | DIFFUSED | 30 | 2 | 2.8 | 25 | 45 | 5YD-F |
| ELM3XXX5YT | GaAsP/GaP | 590 | YELLOW | TINTED | 30 | 2 | 2.8 | 40 | 35 | 5YT-F |
| ELM3XXX5AC | GaAsP/GaP | 605 | AMBER | WATER CLEAR | 30 | 2 | 2.8 | 40 | 35 | 5AC-F |
| ELM3XXX5AD | GaAsP/GaP | 605 | AMBER | DIFFUSED | 30 | 2 | 2.8 | 25 | 45 | 5AD-F |
| ELM3XXX5AT | GaAsP/GaP | 605 | AMBER | TINTED | 30 | 2 | 2.8 | 40 | 35 | 5AT-F |
| ELM3XXX5HC | GaAsP/GaP | 625 | HE RED | WATER CLEAR | 30 | 2 | 2.8 | 40 | 35 | 5HC-F |
| ELM3XXX5HD | GaAsP/GaP | 625 | HE RED | DIFFUSED | 30 | 2 | 2.8 | 25 | 45 | 5HD-F |
| ELM3XXX5HT | GaAsP/GaP | 625 | HE RED | TINTED | 30 | 2 | 2.8 | 40 | 35 | 5HT-F |
| ELM3XXX5RC | GaP/GaP | 700 | RED | WATER CLEAR | 20 | 2.1 | 2.8 | 2 | 35 | 5RC-F |
| ELM3XXX5RD | GaP/GaP | 700 | RED | DIFFUSED | 20 | 2.1 | 2.8 | 2 | 45 | 5RD-F |
| ELM3XXX5RT | GaP/GaP | 700 | RED | TINTED | 20 | 2.1 | 2.8 | 2 | 35 | 5RT-F |
| ELM3XXX5BC | GaAsP/GaP | 625 | RED | WHITE DIFFUSED | 30 | 2.0 | 2.8 | 6 | 45 | 5BC-F |
| | GaP/GaP | 568 | GREEN | | 30 | 2.1 | 2.8 | 8 | | |
| ELM3XXX5BC-Y/G | GaAsP/GaP | 590 | YELLOW | WHITE DIFFUSED | 30 | 2.0 | 2.8 | 5 | 45 | 5BC-Y/G-F |
| | GaP/GaP | 568 | GREEN | | 30 | 2.1 | 2.8 | 8 | | |

| | | | |
|---|--|--|---|
| STANDARD TOLERANCE (UNLESS OTHERWISE SPECIFIED) 10% All Values | |  BIVAR [®] 4 THOMAS, IRVINE, CA. 92618 TEL: (949) 951-8808 FAX: (949) 951-3974 | |
| ANGULAR X° ± 1° | | | |
|  | | TITLE: Extruded Vertical T-1 ¼ (5mm) LED Standard Spacer Profile Assy | |
| | | DESIGNED: Sonny Dam | DATE: 05/05/06 |
| CHECKED: T. Yin | | DATE: 05/05/06 | CAGE CODE : 32559 SHEET # 2 OF 4 CAD GENERATED DOCUMENT, DO NOT MEASURE DRAWING. |

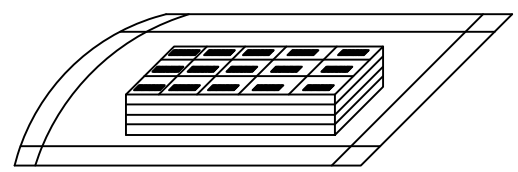
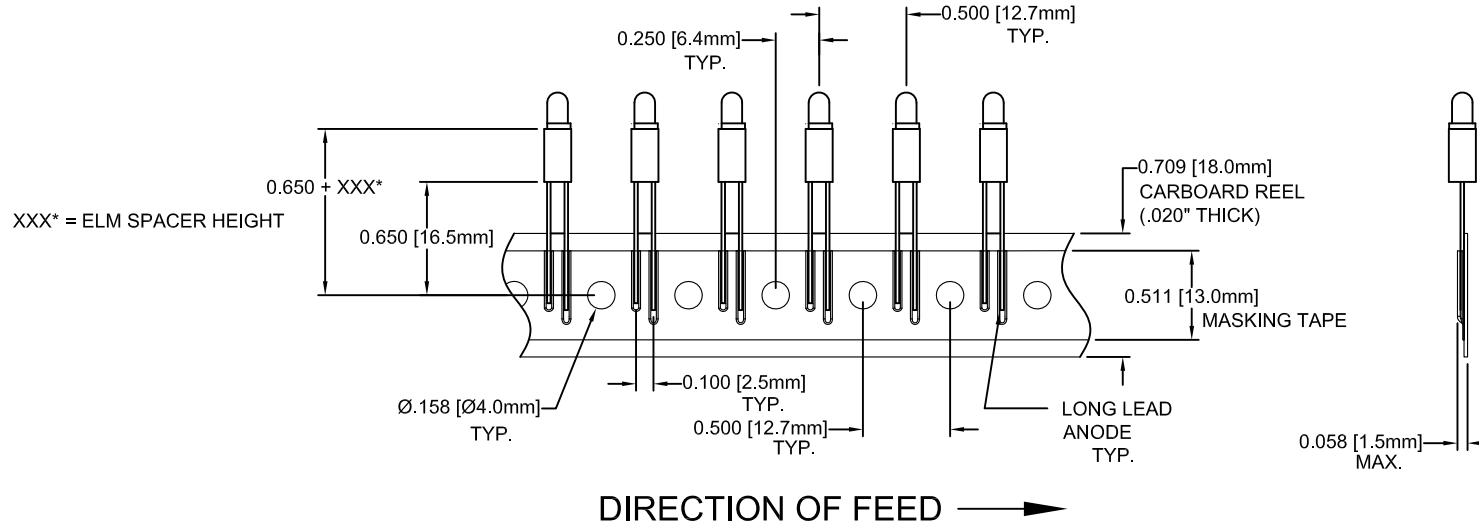
| | | | |
|------|--------------|------|----------|
| REV. | DESCRIPTION | DATE | APPROVED |
| | See Sheet #1 | | |

| LED Assy. No. | Peak Wave Length λ (nm) | Emitted Color | Lens Appearance | Max. Rating | Electro-Optical Data @ 2mA | | | Viewing Angle 2 θ ½ (Deg) | LED P/N |
|---------------|------------------------------------|---------------|-----------------|-------------|----------------------------|-----|----------|--|---------|
| | | | | If (mA) | Vf (V) | | Iv (mcd) | | |
| | | | | MAX | TYP | MAX | TYP | | |
| ELM3XXX5BWDL | 430 | BLUE | DIFFUSED | 7 | 3.8 | 4.2 | 4 | 40 | 5BWDL-F |
| ELM3XXX5PGDL | 555 | PURE GREEN | DIFFUSED | 7 | 2.1 | 2.6 | 1 | 40 | 5PGDL-F |
| ELM3XXX5GDL | 568 | GREEN | DIFFUSED | 7 | 2.1 | 2.6 | 4 | 40 | 5GDL-F |
| ELM3XXX5YDL | 590 | YELLOW | DIFFUSED | 7 | 2.0 | 2.6 | 4 | 40 | 5YDL-F |
| ELM3XXX5ADL | 605 | AMBER | DIFFUSED | 7 | 2.0 | 2.6 | 4 | 40 | 5ADL-F |
| ELM3XXX5HDL | 625 | HE RED | DIFFUSED | 7 | 2.0 | 2.6 | 5 | 40 | 5HDL-F |
| ELM3XXX5SRDL | 645 | SUPER RED | DIFFUSED | 7 | 1.7 | 2.3 | 6 | 40 | 5SRDL-F |

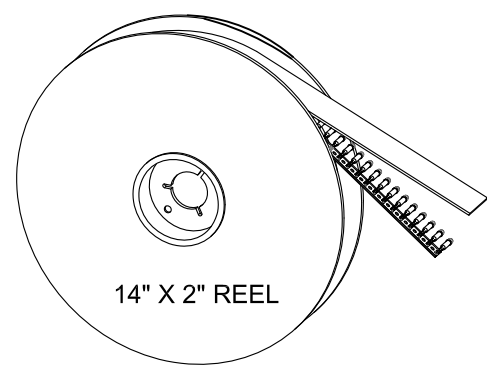
| Assembly P/N | Peak Wave Length λ (nm) | Emitted Color | Lens Appearance | Electro-Optical Data | | | | Viewing Angle 2 θ ½ (Deg) | LED P/N |
|---------------|------------------------------------|---------------|-----------------|----------------------|--------|-----|----------|--|---------|
| | | | | If (mA) | Vf (V) | | Iv (mcd) | | |
| | | | | MAX | TYP | MAX | TYP | | |
| 5 Volt | | | | Data @ 5V | | | | | |
| ELM3XXX5GD5V | GREEN | 568 | DIFFUSED | - | - | 5 | 25 | 40 | 5GD5V-F |
| ELM3XXX5AD5V | AMBER | 605 | DIFFUSED | - | - | 5 | 25 | 40 | 5AD5V-F |
| ELM3XXX5HD5V | HE RED | 625 | DIFFUSED | - | - | 5 | 30 | 40 | 5HD5V-F |
| ELM3XXX5RD5V | RED | 700 | DIFFUSED | - | - | 5 | 1.5 | 40 | 5RD5V-F |
| ELM3XXX5YD5V | YELLOW | 590 | DIFFUSED | - | - | 5 | 25 | 40 | 5YD5V-F |

| | | | |
|---|--------------------------|--|-----------------------|
| STANDARD TOLERANCE (UNLESS OTHERWISE SPECIFIED) 10% All Values | |  BIVAR [®] 4 THOMAS, IRVINE, CA. 92618 TEL: (949) 951-8808 FAX: (949) 951-3974 | |
| ANGULAR X° ± 1° | | | |
|  | | TITLE: Extruded Vertical T-1¼ (5mm) LED Standard Spacer Profile Assy | |
| DESIGNED: Sonny Dam | DATE: 05/05/06 | PART NO: ELM3XXX5XX | REVISION: J |
| CHECKED: T. Yin | DATE: 05/05/06 | CAGE CODE : 32559 | SHEET # 3 OF 4 |
| CAD GENERATED DOCUMENT, DO NOT MEASURE DRAWING. | | | |

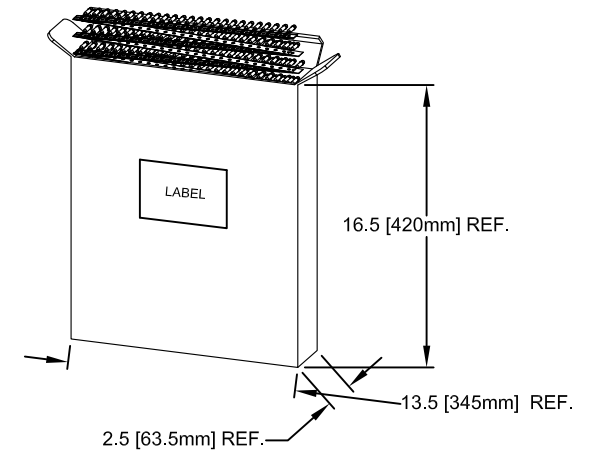
| REV. | DESCRIPTION | DATE | APPROVED |
|------|--------------|------|----------|
| | SEE SHEET #1 | | |
| | | | |
| | | | |
| | | | |
| | | | |



STANDARD PACKAGING TRAY



TAPE & REEL
1,000 pcs / reel



AMMO PACK
2,000 pcs / box

NOTE:

1. STANDARD PART NUMBERS ARE PACKAGED IN LOOSE PIECES USING PACKAGING TRAYS
2. ADD "T" SUFFIX TO PART NUMBER FOR TAPE AND REEL PACKAGING OPTION (1,000 PCS/REEL)
3. ADD "A" SUFFIX TO PART NUMBER FOR AMMO PACK OPTION (2,000 PCS/BOX)
4. TAPE AND REEL PACKAGING COMPLY TO EIA-468-C

| STANDARD TOLERANCE (UNLESS OTHERWISE SPECIFIED) | | BIVAR [®] 4 THOMAS, IRVINE, CA. 92618 TEL: (949) 951-8808 FAX: (949) 951-3974 | |
|--|--------------------------|---|-----------------------|
| DECIMALS | ANGULAR | | |
| .X ± .1 | X° ± 1° | TITLE: Extruded Vertical T1 3/4 (5mm) LED Standard Spacer Profile Assy | |
| .XX ± .02 | | | |
| .XXX ± .010 | | | |
| DESIGNED: Sonny Dam | DATE: 05/05/06 | PART NO: ELM3XXX5XX | REVISION: J |
| CHECKED: T. Yin | DATE: 05/05/06 | CAGE CODE : 32559 | SHEET # 4 OF 4 |
| CAD GENERATED DOCUMENT, DO NOT MEASURE DRAWING. | | | |