



# SPRING ANCHORS

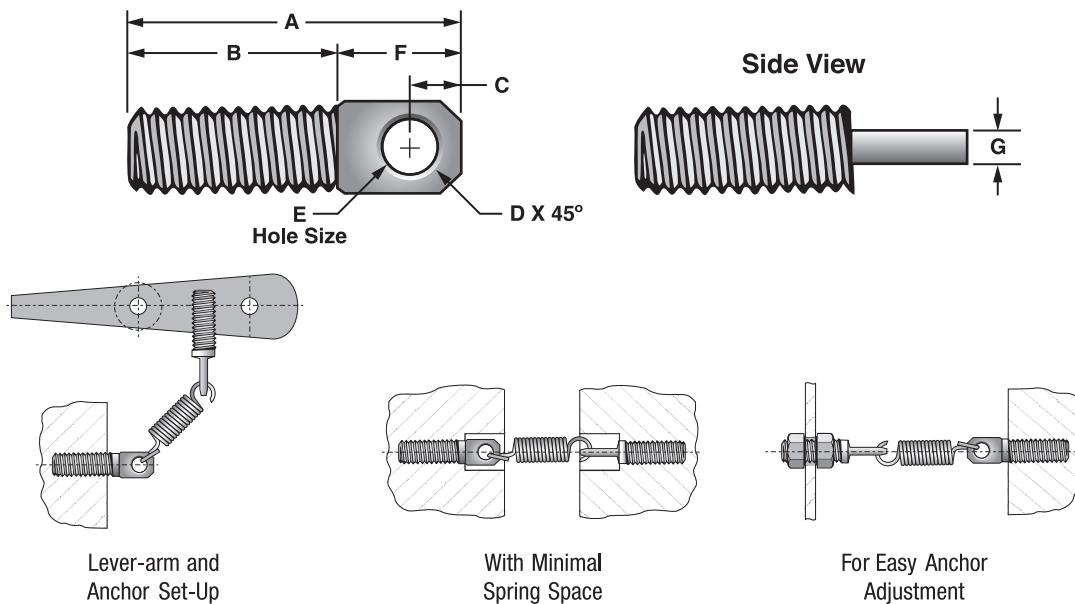
CSC spring anchors can be the quickest, and most efficient and economical way to secure the ends of an extension spring.

Low cost, adjustable, rugged and easy to use, put your

extension spring to work the easy way. Fine tune your loads with minimum trouble.

Spring anchors are made of C 1022 steel with a black oxide finish and 302 stainless, no finish.

**PRODUCED EXCLUSIVELY BY CENTURY SPRING CORP.**



## SPRING ANCHORS, STEEL

CENTURY STOCK NUMBER	THREAD CLASS 2A	A ± .015	B ± .03	C ± .01	D ± .01	E ± .005	F ± .01	G ± .01
CSA-50	6-32	.625	.465	.072	.075	.050	.15	.06
CSA-60	8-32	.875	.700	.080	.095	.070	.16	.07
CSA-70	1/4-20	1.25	.99	.13	.12	.100	.26	.12
CSA-80	1/4-28	1.25	.99	.13	.15	.100	.26	.12
CSA-90	3/8-16	1.625	1.27	.19	.21	.170	.36	.15
CSA-100	3/8-24	1.625	1.27	.19	.21	.170	.36	.15

## SPRING ANCHORS, STAINLESS

CENTURY STOCK NUMBER	THREAD CLASS 2A	A ± .015	B ± .03	C ± .01	D ± .01	E ± .005	F ± .01	G ± .01
SSA-50	6-32	.625	.465	.072	.075	.050	.15	.06
SSA-60	8-32	.875	.700	.080	.095	.070	.16	.07
SSA-70	1/4-20	1.25	.99	.13	.12	.100	.26	.12
SSA-80	1/4-28	1.25	.99	.13	.15	.100	.26	.12
SSA-90*	3/8-16	1.625	1.27	.19	.21	.170	.36	.15
SSA-100*	3/8-24	1.625	1.27	.19	.21	.170	.36	.15

\*SSA-90 and SSA-100 material is 410 SST.

**AVAILABLE FOR IMMEDIATE SHIPMENT**