



SPXXHC147 SPXXHC148

54/74 Series Priority Encoders

Features

- Utilizes SPI's Selective Oxidation, Silicon-Gate CMOS Process.
- Speed, function and pin-out compatible to 74LS series Logic.
- High Noise Immunity.
- Low quiescent power consumption.
- Wide power supply range.
- Operates over V_{CC} range of 2.0 to 6.0 Volts.
- Symmetric current drive.
- All Inputs are fully buffered.
- All devices have Input Protection diodes to V_{CC} and ground.
- All devices have Logic Input voltage levels consistent with CMOS.

All devices contain diodes to protect inputs against damage due to high static voltages or electric fields; however, it is advised that precautions be taken not to exceed the maximum recommended input voltages. All unused inputs must be connected to an appropriate logic voltage level (either V_{CC} or GND).

Ordering Information

Plastic DIP, Industrial Temp Range	Ceramic DIP, Industrial Temp Range	Ceramic DIP, Military Temp Range
SP74HCXXXN	SP74HCXXXJ	SP54HCXXXJ

Absolute Maximum Ratings

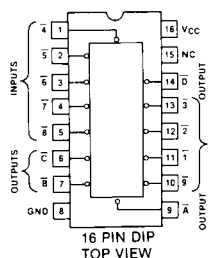
Parameter	Min	Max	Units
V_{CC} DC Supply Voltage	-0.5	+7.0	V
V_I, V_O Input or Output Voltage	-0.5	$V_{CC} + 0.5$	V
I_L DC Current Per Pin Any Input or Output	—	25	mA
I_{CC} DC Current Drain, V_{CC} or GND	—	50	mA
T_S Storage Temperature	-65	+150	°C
P_D Power Dissipation (Note 1)	—	500	mW
T_L Lead Temperature (1/16" from mounting surface for 10 sec)	—	+300	°C

Note 1: Derate at 12mW/°C over +45 to +85°C for Plastic "N" Package.

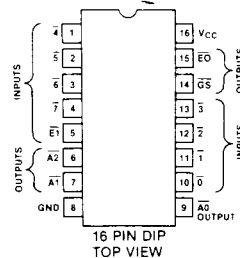
Recommended Operating Conditions

Parameter	SP74HCXXX		SP54HCXXX		Units
	Min	Max	Min	Max	
V_{CC} DC Supply Voltage Range	2.0	6.0	2.0	6.0	V
V_I, V_O Input Voltage, Output Voltage	0	V_{CC}	0	V_{CC}	V
T_A Operating Temperature Range	-40	+85	-55	+125	°C

SPXXHC147
10-to-4 Line Priority Encoder



SPXXHC148
8-to-3 Line Priority Encoder

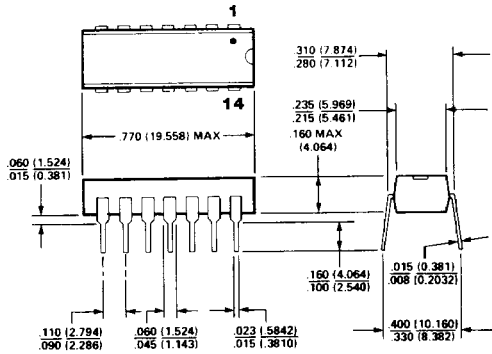




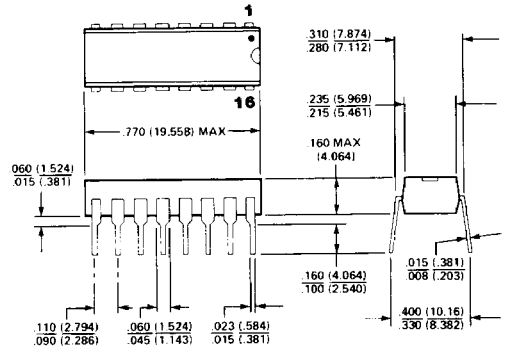
Physical Dimensions

All dimensions in inches and (millimeters)

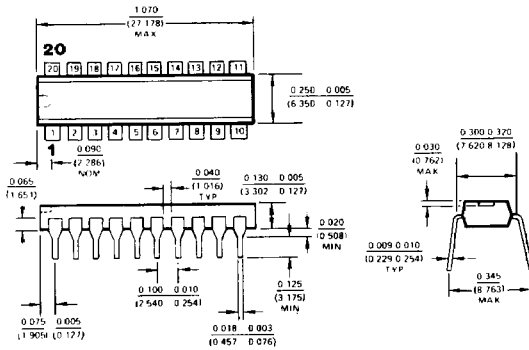
N Package 14 Pin



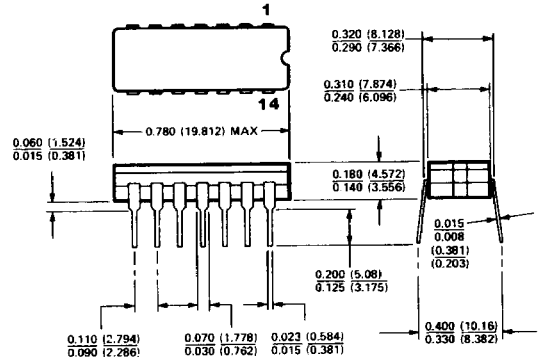
N Package 16 Pin



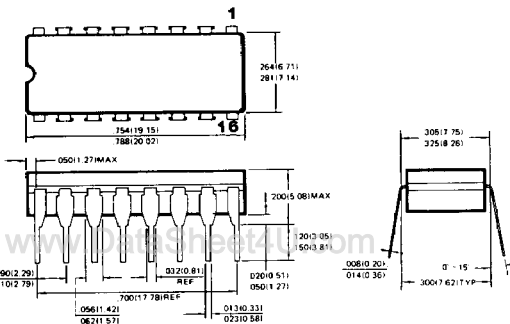
N Package 20 Pin



J Package 14 Pin



J Package 16 Pin



J Package 20 Pin

