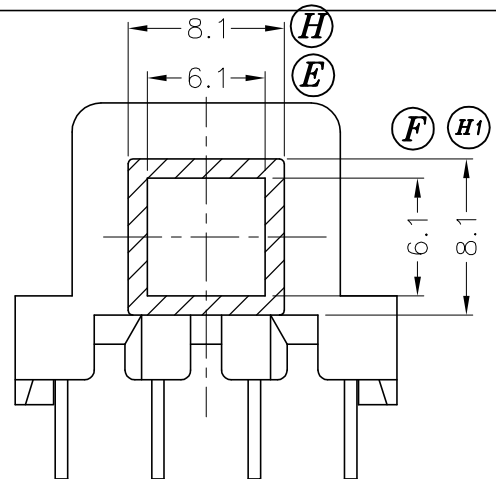
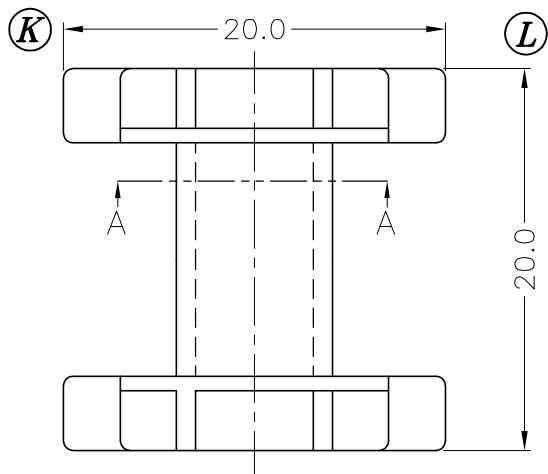


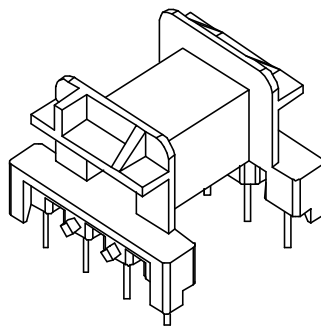
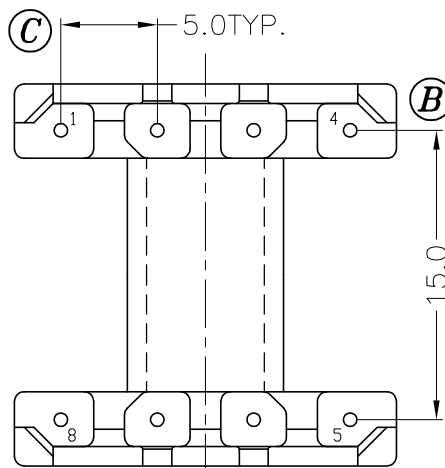
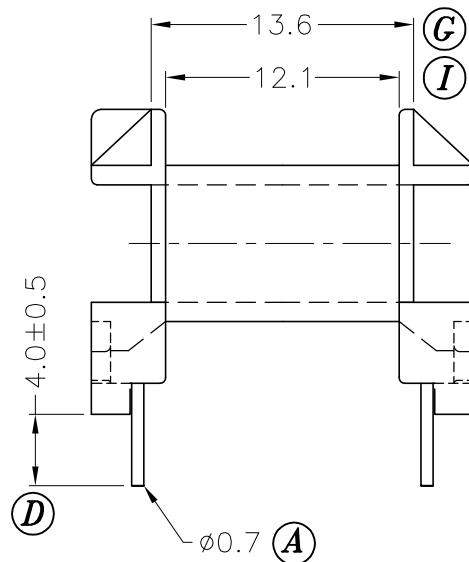
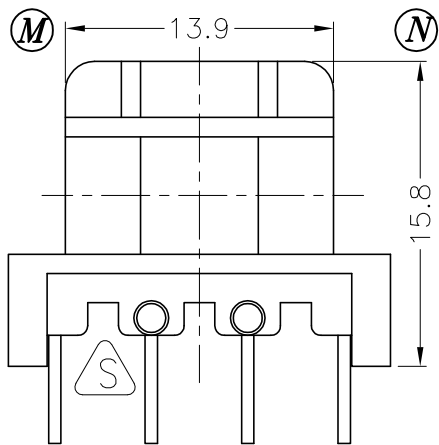
FERYSTER Inductive Components

ul. Traugutta 4 , 68-120 Iłowa Poland

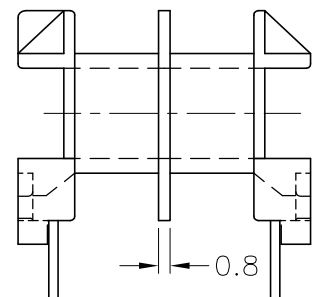
http://www.feryster.com.pl e-mail: info@feryster.com.pl



SEC.A-A



DRAWING NO:	MATERIAL:	ORIGIN:
P-2012-1	PHENOLIC T375J	DG



DOSTAWCA:	TOLERANCES		ANGLE:	TITLE:		
	0<L≤4 ±0.1	COPLANARITY 0.2 MAX	±1°	EF20/6-K-H-8P		
4<L≤16 ±0.2	UNIT:		MM	BOBBIN MATERIAL:	PHENOLIC T375J	
16<L≤63 ±0.3	ORIGIN:	DG	PIN MATERIAL:	CP WIRE		
FERYSTER Inductive Components	Tel: +48 68 360 00 76 fax: +48 68 360 00 70		DATE:	APR 04.2003	DRAWING NO.	P-2012
						REV. 2