

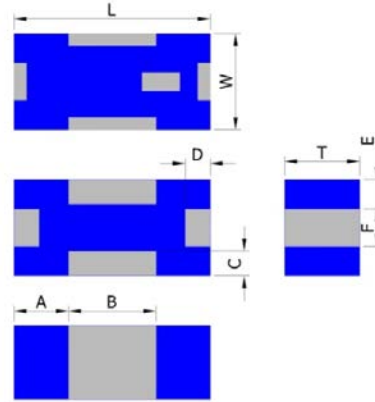
PRODUCT FEATURES

1. Surface mount band pass filter with a small size of 2.0 X 1.2 X 0.9 mm, RoHS compliant.
2. Provide low insertion loss and high rejection rate.
3. Highly stable under temperature and humidity changes.

RF CHARACTERISTICS

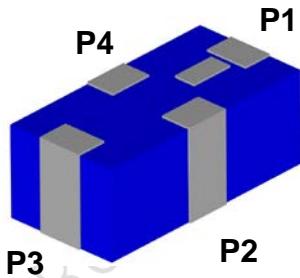
P/N BP5900B0805CT	Specification
Frequency range	4900- 5850 MHz
Insertion Loss (max)	2.2 dB max
VSWR	2.2 max
Impedance	50 Ω
Attenuation (min.)	35 dB @ 340 MHz-1195 MHz 19 dB @ 2140 MHz-3580 MHz 25 dB @ 6855 MHz-7150 MHz 20 dB @ 8570 MHz-8930 MHz
Operating temperature range	-40°C to +85°C

PHYSICAL DIMENSIONS



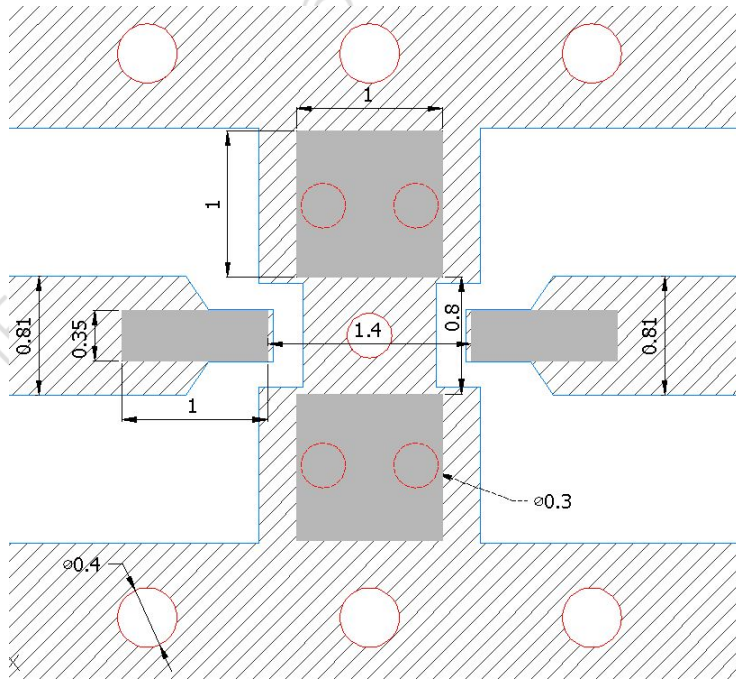
Symbol	Dimension (mm)
L	2.00 ± 0.15
W	1.20 ± 0.15
T	0.90 ± 0.10
A	0.50 ± 0.15
B	1.00 ± 0.15
C, D	0.20 ± 0.15
E	0.45 ± 0.15
F	0.30 ± 0.10

TERMINAL CONFIGURATION



PIN	Connection
1	INPUT
2	GND
3	OUTPUT
4	GND

PCB DESIGN/LAYOUT CONSIDERATION



Note:

- Design trace width to be 50Ω impedance.

Typical RF Performance

