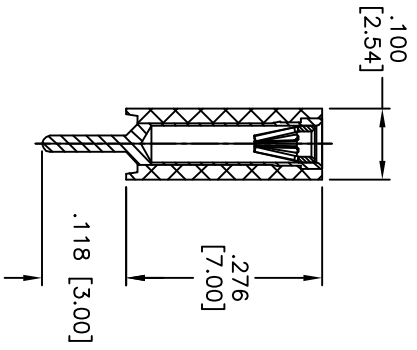
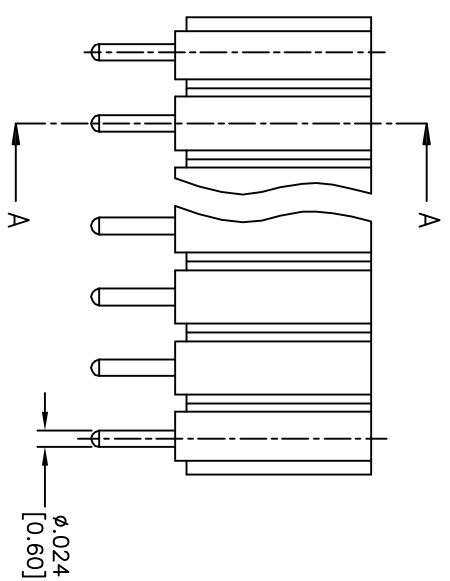
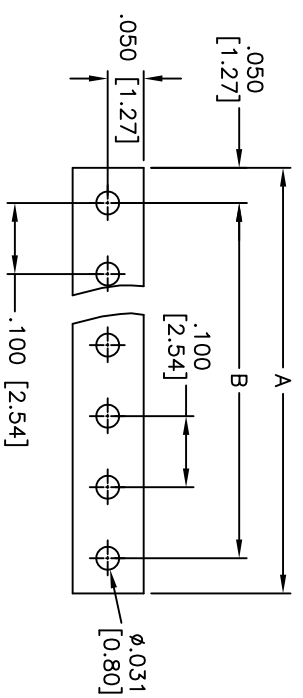
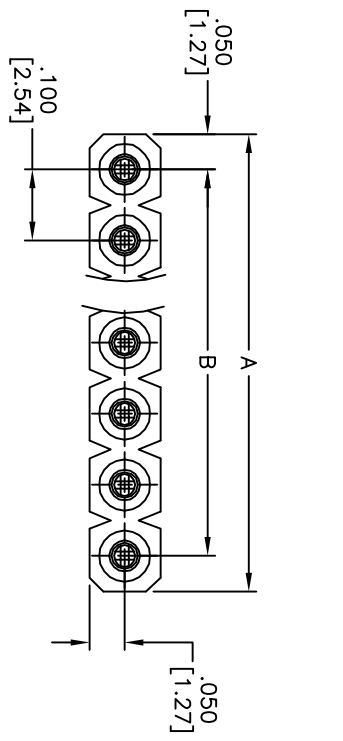


Rev	AWO #	Description	Date	Appr
-		RELEASED	9/14/10	

APPROVED: _____
 DATE: _____ TITLE: _____



Positions: 2 thru 40
 A = .100 [2.54] x No. of Positions
 B = .100 [2.54] x No. of Spaces

SPECIFICATIONS:
 Material: PPS, rated UL 94V-0
 Insulator color: Black
 Contacts: BeCu
 Sleeve: Brass
 Plating:
 Inner contact: Gold flash over Nickel underplate
 Outer sleeve: Tin over Copper underplate overall
 Electrical:
 Current rating: 3 Amp
 Contact resistance: 4 mohms max
 Temperature Rating:
 Operating temperature: -40°C to +105°C
 Environmental:
 Lead free, RoHS compliant
 Recommended soldering temp: 260°C for 5 seconds

UNLESS OTHERWISE SPECIFIED
 ALL DIMENSIONS ARE INCHES [MM]
 TOLERANCES: EXCEPT AS NOTED
 INCHES: .X ± .10, .XX ± .020, .XXX ± .015
 Holes: ϕ X ± .10, ϕ XXX ± .015
 APPROVALS: _____ DATE: _____

ADAM TECH

909 Rahway Avenue, Union, NJ 07083
 Phone: 908-687-5000 Fax: 908-687-5710

TITLE: .100 [2.54] MACHINED FEMALE HEADER,
 SINGLE ROW, STRAIGHT, GOLD/TIN PLATED

DRAWN	DY	9/14/10
CHECKED		
APPROVED		

SIZE	PART NO.	REV.
X	SMC-1H7-XX-1-GT-HT	-
REF:	S00007T	SHEET 1 OF 1

