

Feature:

- Package in tube
- 1W High Power
- Low thermal resistance
- Super high flux and luminance
- InGaN White
- White Housing

Description:

This 1W high power LED is 5mm height and 8mm diameter which is ideal in high current application.

Application:

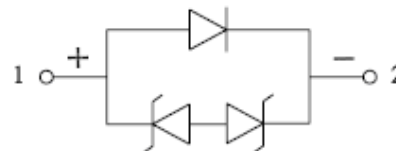
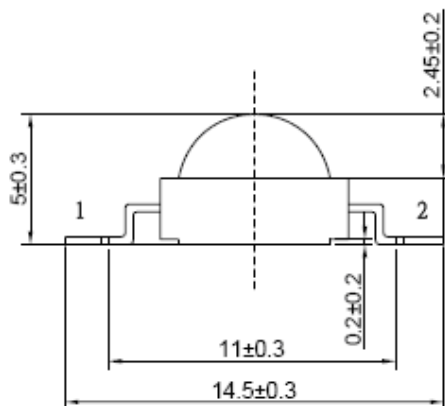
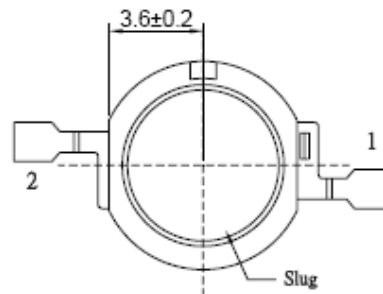
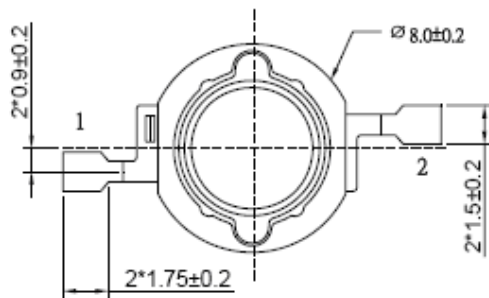
- Automotive lighting
- Architectural and outdoor lighting
- Household appliances
- General lighting

Certification & Compliance:

- TS16949
- ISO9001
- RoHS Compliant



Dimension:



Units: mm / tolerance = +/-0.2mm

Electrical / Optical Characteristic ($T_A=25\text{ }^\circ\text{C}$)

Product	Color	I_F (mA)	V_F (V)		Chromaticity			Φ_v (lm)	
			Typ.	max	X	--	Y	min	typ.
QBHP682-IWU	Cool White	350	3.5	4.0	0.33	---	0.34	65	85
QBHP682-IWU	Pure White	350	3.5	4.0	0.37	---	0.37	45	70
QBHP682-IWU	Warm White	350	3.6	4.0	0.42	---	0.40	40	65

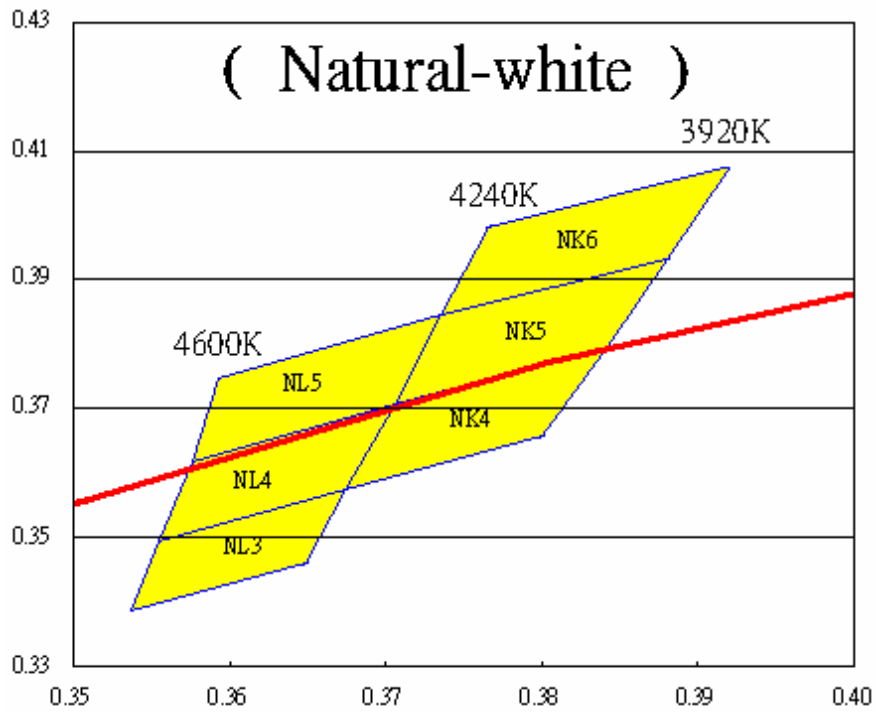
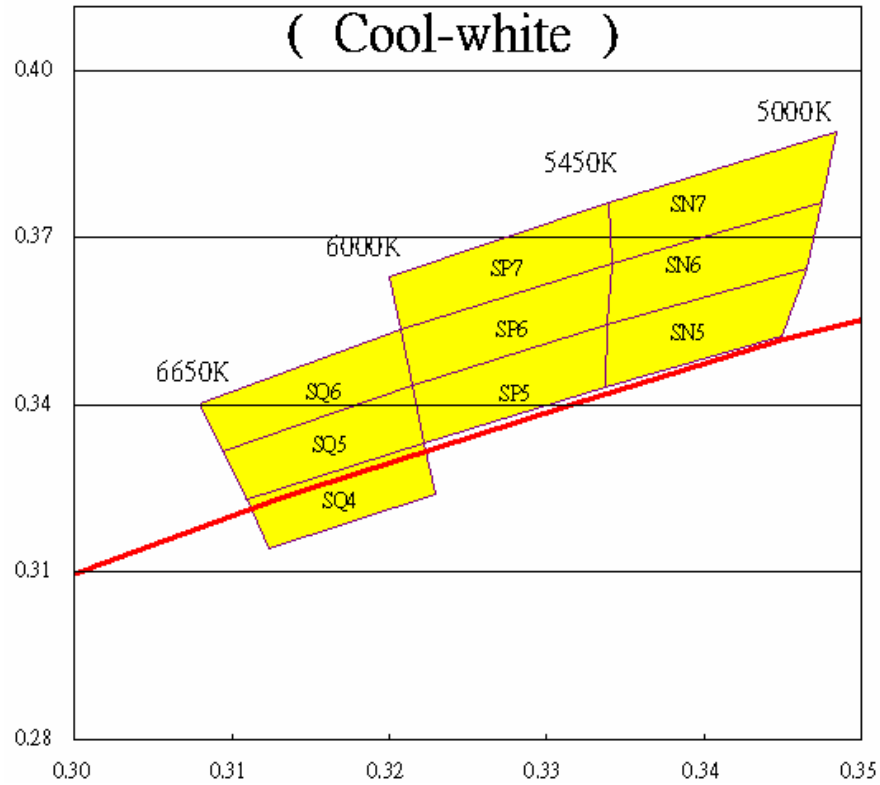
Absolute Maximum Rating

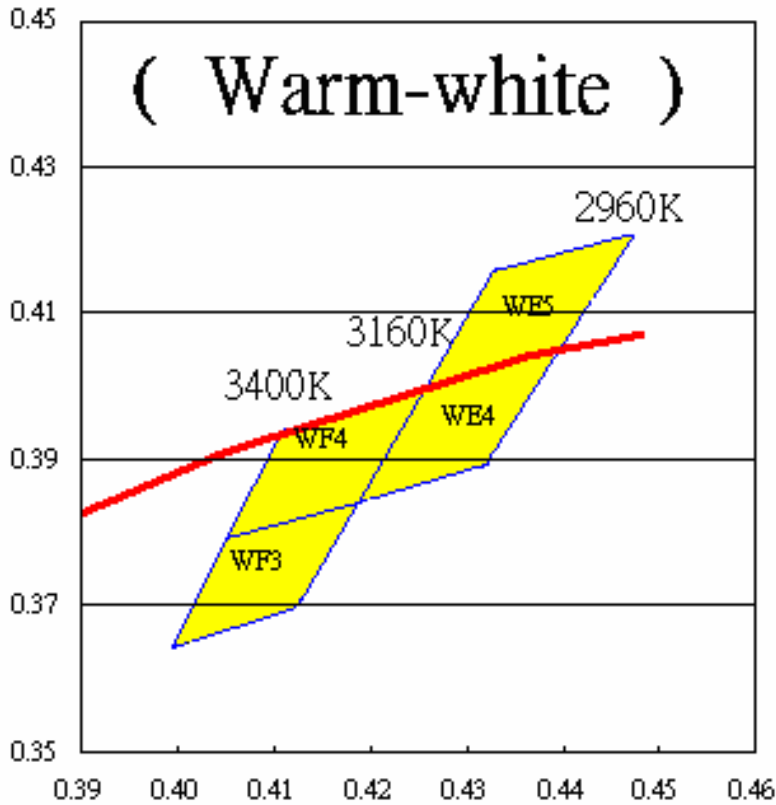
Product	Emit Color	P_d (mW)	I_F (mA)	I_{FP} (mA)*	V_R (V)	T_{OP} ($^\circ\text{C}$)	T_{ST} ($^\circ\text{C}$)	T_{SOL} ($^\circ\text{C}$)**
QBHP682-IWU	White	1600	400	500	5	-30 to +85	-40 to +100	240

*Duty 1/10 @0.1ms Pulse Width

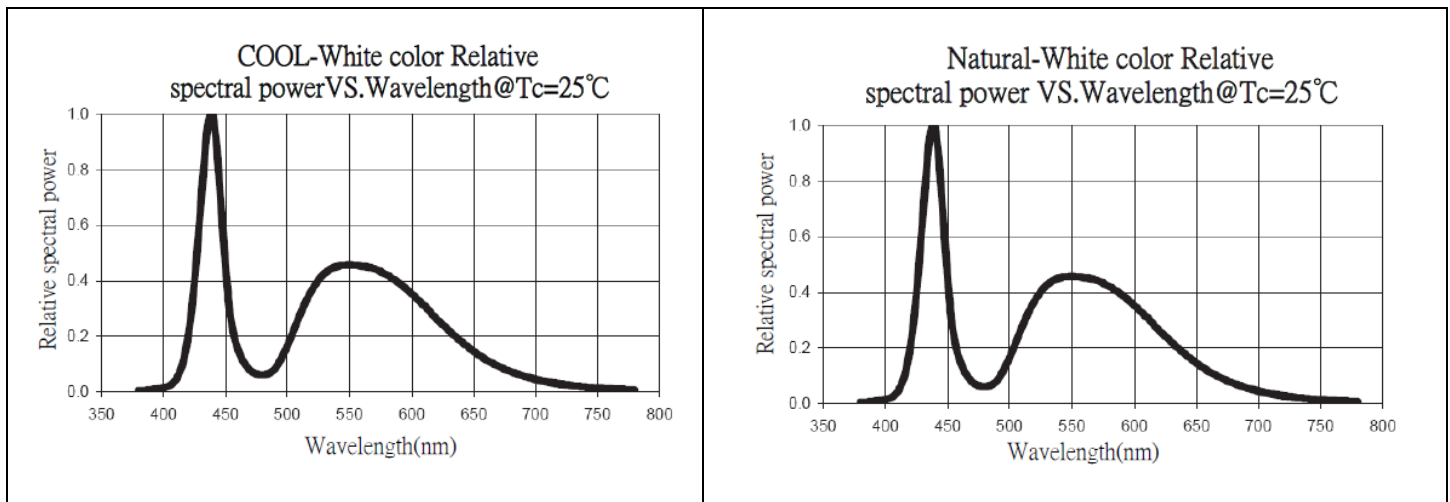
** IR Reflow for no more than 5 sec @ 240 $^\circ\text{C}$

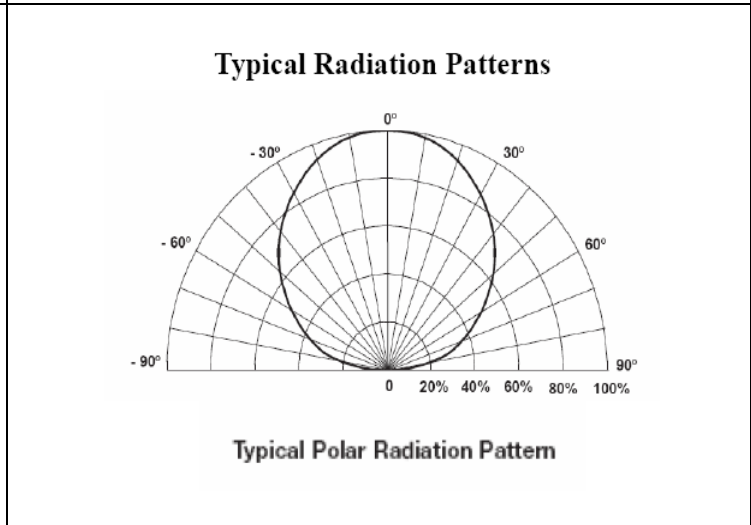
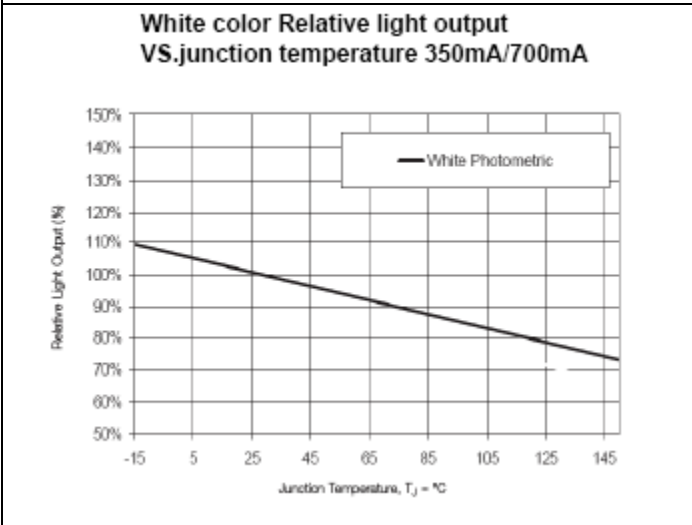
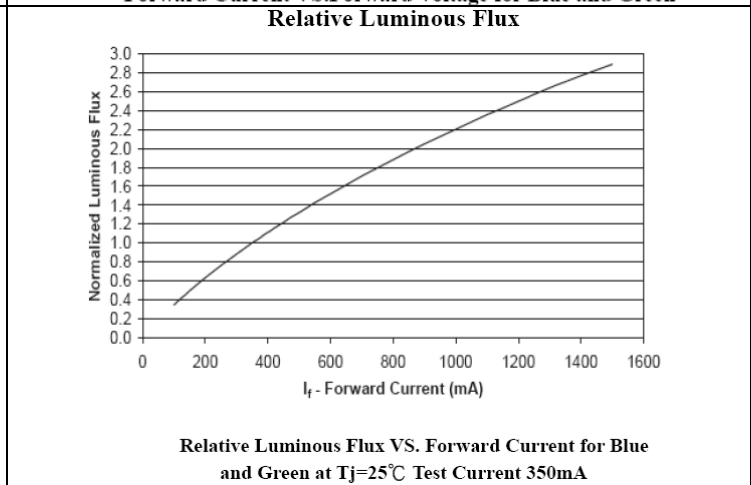
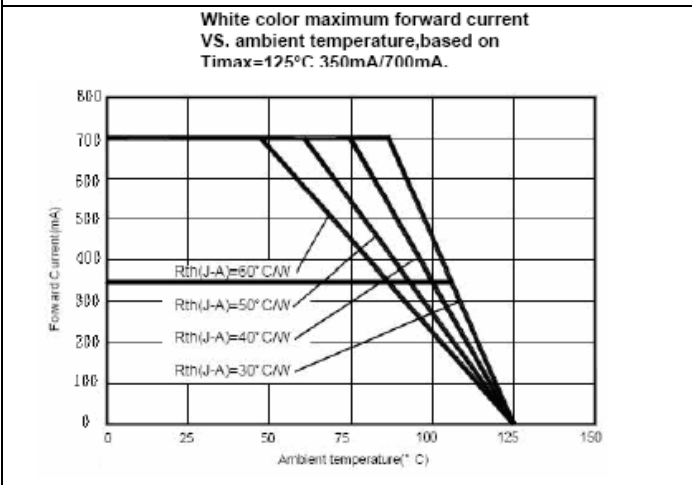
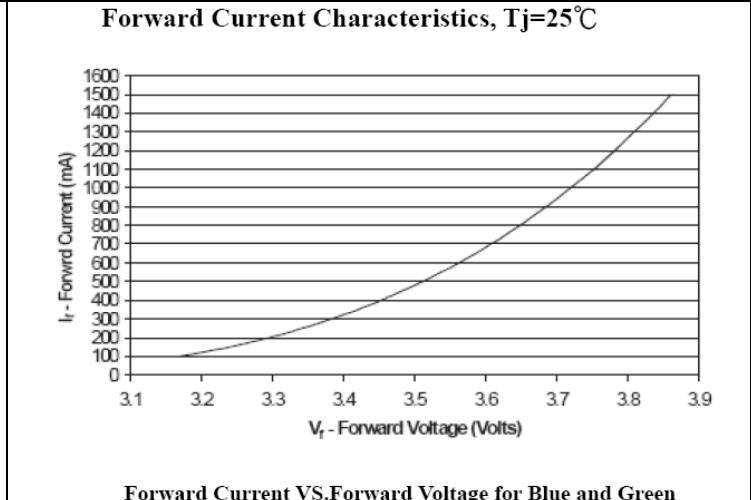
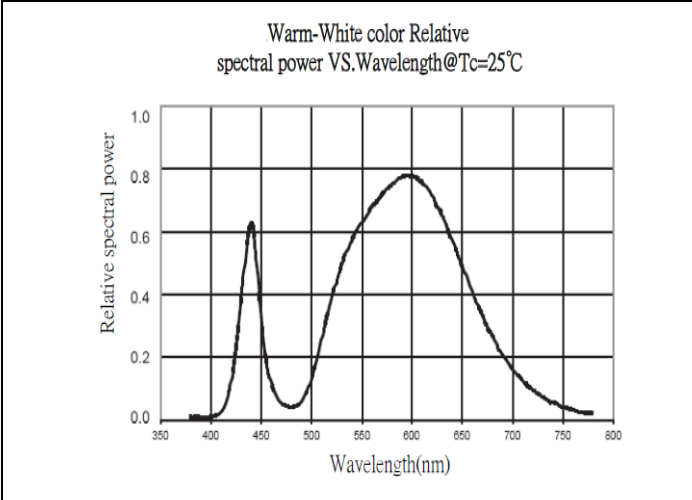
Correlated Color Temperature Chart



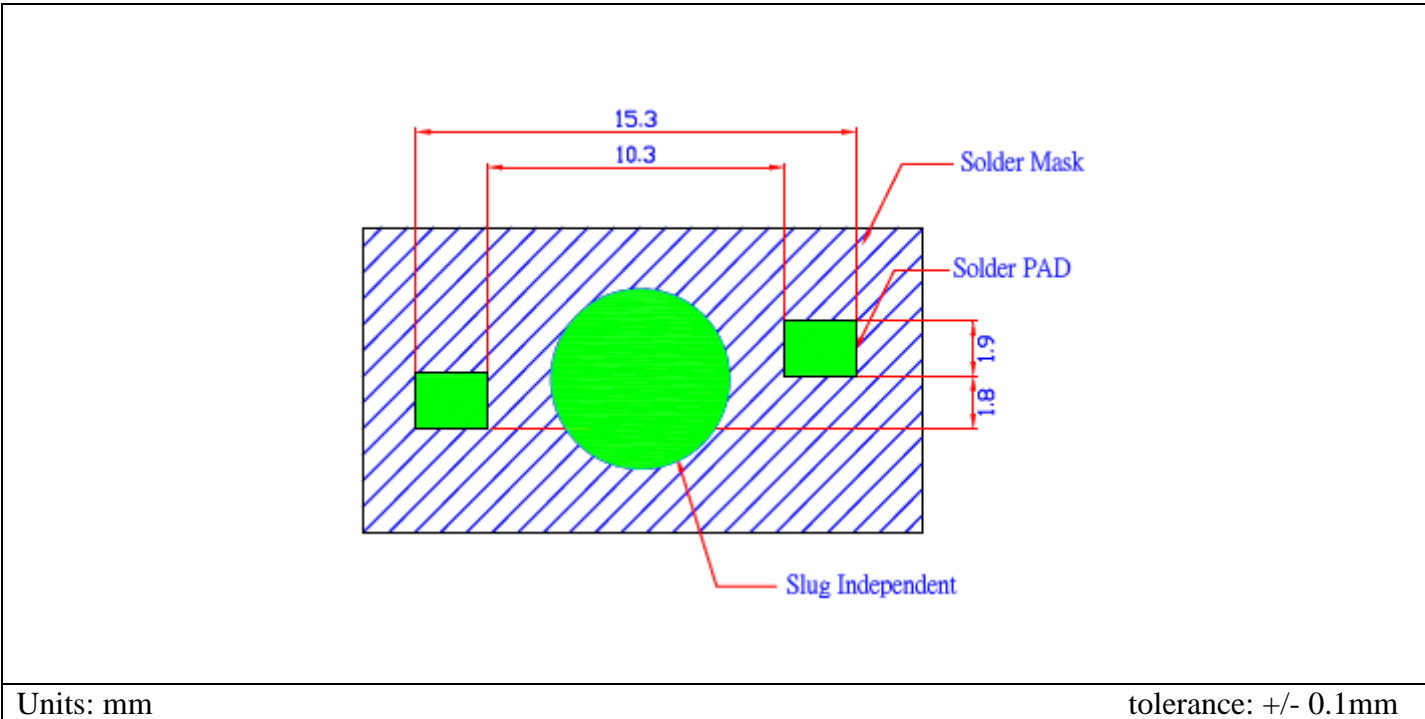
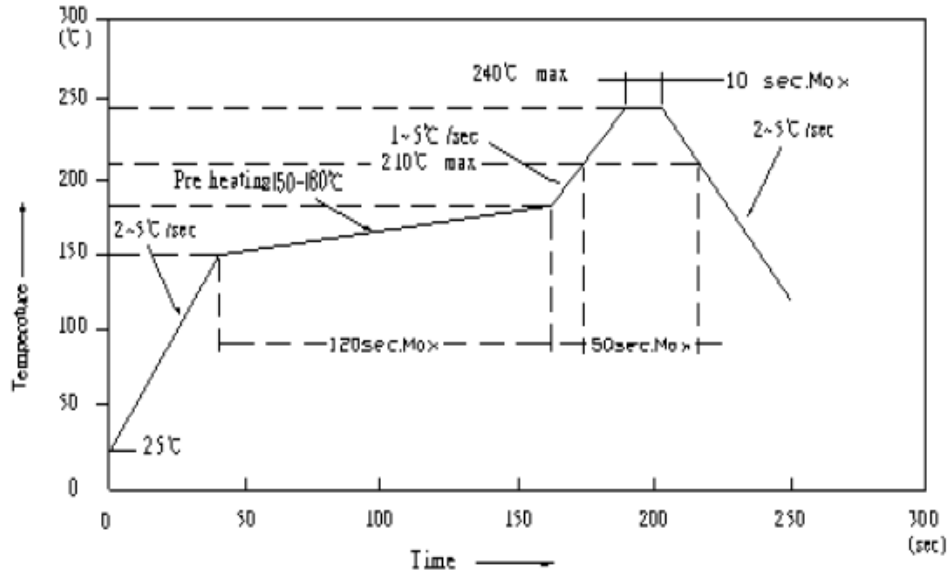


Characteristic Curves:

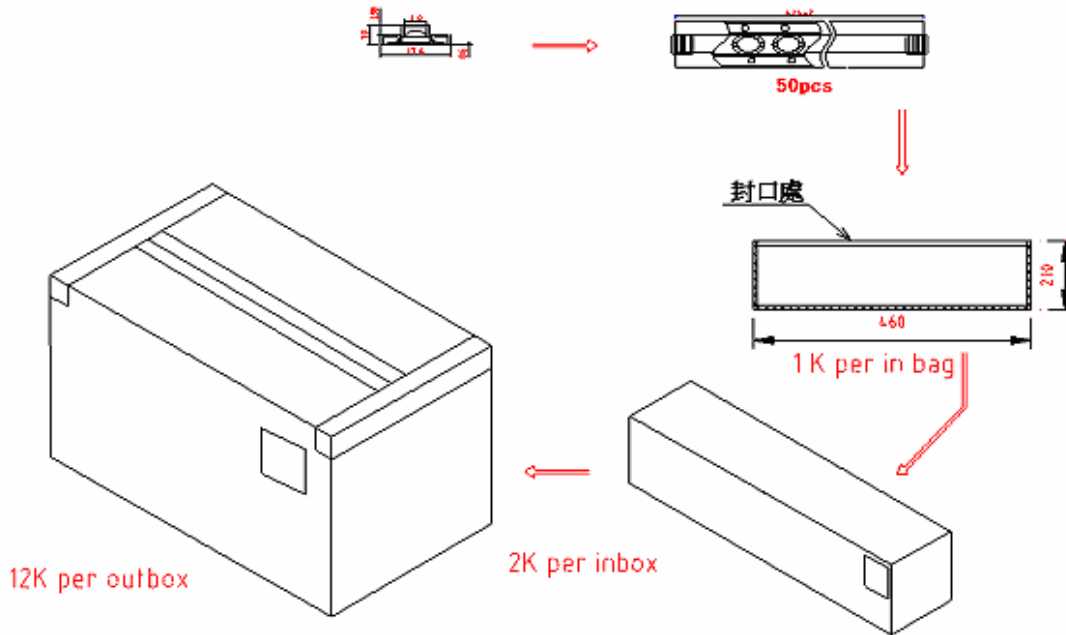




Solder Profile & Footprint:



Packing:



Labeling:

QT-Brightek
Part No: _____
Customer P/N: _____
Item: _____
Q'ty: _____
Vf: _____
Iv: _____
WI: _____
Date: _____

Made in Taiwan

Ordering Information:

Part #	Orderable Part #	Spec Range	Quantity per tube
QBHP682-IWU	QBHP682-IWU	Cool White: Iv=85 lm typ./ (X,Y)=(0.32,0.34)	50 units
		Pure White: Iv=70 lm typ./ (X,Y)=(0.37,0.37)	50 units
		Warm White: Iv=65 lm typ./ (X,Y)=(0.40,0.42)	50 units

Revision History:

Description:	Revision #	Revision Date
New Release of QTHP682-IWU_series	V1.0	05/07/2011

Disclaimer

QT-BRIGHTTEK reserves the right to make changes without further notice to any products herein to improve reliability, function or design. QT-BRIGHTTEK does not assume any liability arising out of the application or use of any product or circuit described herein; neither does it convey any license under its patent rights, nor the rights of others.

Life Support Policy

QT-BRIGHTTEK's products are not authorized for use as critical components in life support devices or systems without the express written approval of QT-BRIGHTTEK. As used herein:

1. Life support devices or systems are devices or systems which, (a) are intended for surgical implant into the body, or (b) support or sustain life, and (c) whose failure to perform when properly used in accordance with instructions for use provided in the labeling, can be reasonably expected to result in a significant injury of the user.
2. A critical component in any component of a life support device or system whose failure to perform can be reasonably expected to cause the failure of the life support device or system, or to affect its safety or effectiveness.

Product: QBHP682-IWU	Date: May 03, 2011	Page 8 of 8
	Version# 1.0	