



Aluminum Electrolytic Capacitor – JSW



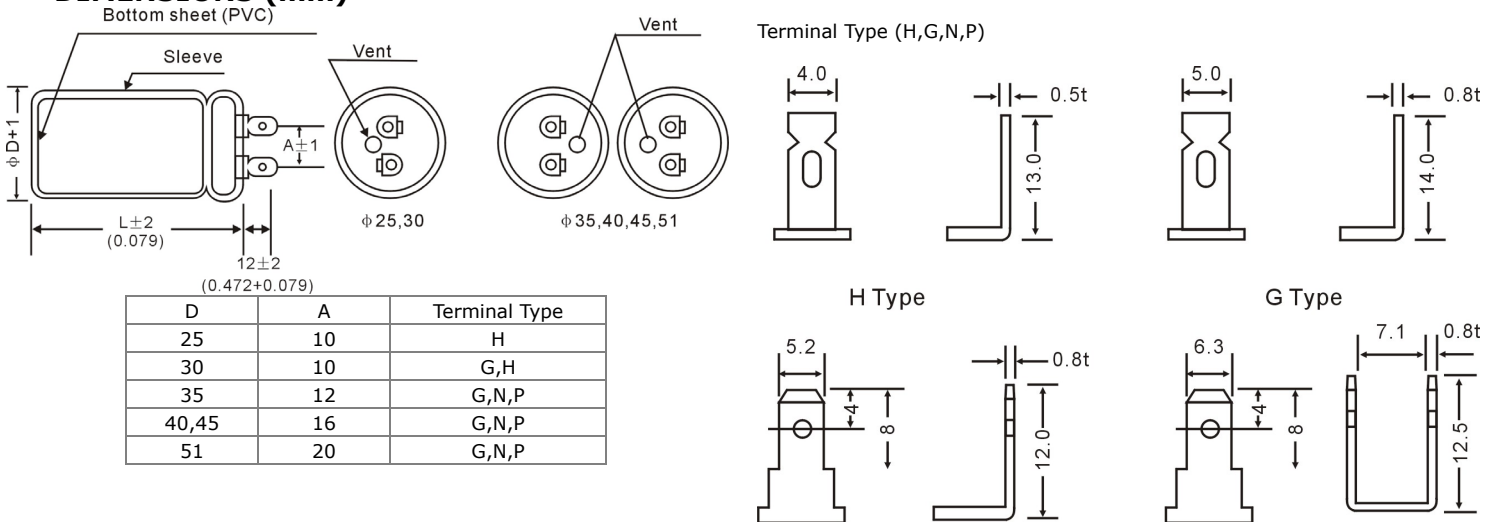
FEATURES

- Load life of 75000 times and 30000 times
- For motor starting
- Used for the compressor starter of a refrigerator and air-conditioner and for the water pumps

SPECIFICATIONS

Items	Performance Characteristics
Operating Temperature Range (°C)	-20°C ~ +70°C
Rated Voltage	110~330V,AC
Capacitance Tolerance (25°C,120Hz)	0%~20%
Power Factor (25°C,60Hz)	8% MAX
Over-Voltage Test	Applied 1.2 time rated voltage for 2 minutes or .4 time rated voltage for 30 seconds
Load Life (+85°C)	125 W.V: Apply for one second and rest for 29 seconds, two time per minute at +7°C after 75000 times Power factor: 20% or less. Capacitance change: within 25% of initial measured value. 160W.V: Apply for one second and rest for 59 seconds, one time per minute at +70°C after 30000 times. Power factor: 20% or less. Capacitance change: within 25% of initial measured value.
Withstanding Voltage	Withstand 1500V,AC(r.m.s) for one minute between both terminals and the case holding clamp

DIMENSIONS (mm)



STANDARD RATINGS

Cap(µF) \ WV(V)	110	125	140	160	180	200	220	250	280	300
25	--	--	--	--	--	30x70	30x80	35x60	35x70	35x80
30	--	--	--	--	25x60	30x80	35x60	35x70	35x80	35x100
40	25x40	25x50	25x60	25x60	25x70	35x60	35x70	35x80	35x100	40x100
50	25x50	25x50	25x60	25x70	30x70	35x70	35x80	35x100	40x100	45x100
63	25x50	25x60	30x60	30x70	35x60	35x80	35x100	40x100	45x100	51x100
80	25x60	30x60	30x70	35x60	35x70	35x100	40x100	45x100	51x100	--
100	25x60	30x70	35x60	35x70	35x80	40x100	45x100	51x100	--	--
125	30x60	35x60	35x70	35x80	35x100	45x100	51x100	--	--	--
160	30x70	35x70	35x80	35x100	40x100	51x100	--	--	--	--
200	35x60	35x80	35x100	40x100	45x100	--	--	--	--	--
250	35x70	35x100	40x100	45x100	--	--	--	--	--	--
315	30x80	40x100	45x100	--	--	--	--	--	--	--
400	35x100	45x100	--	--	--	--	--	--	--	--
500	40x100	--	--	--	--	--	--	--	--	--

Please visit our website to get more update data, those data & specification are subject to change without notice.