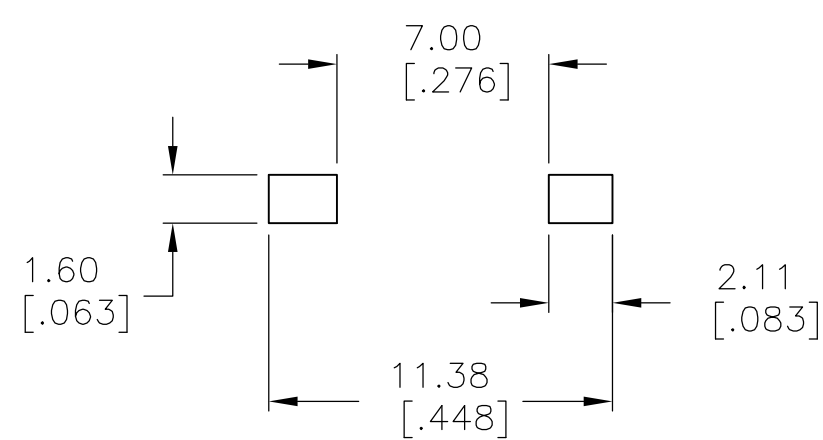
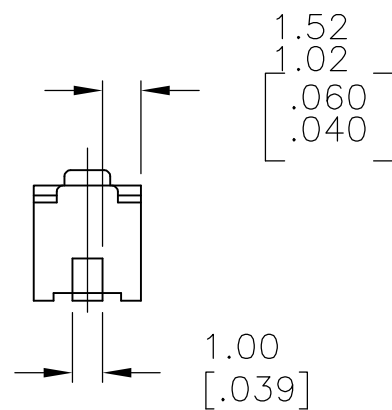
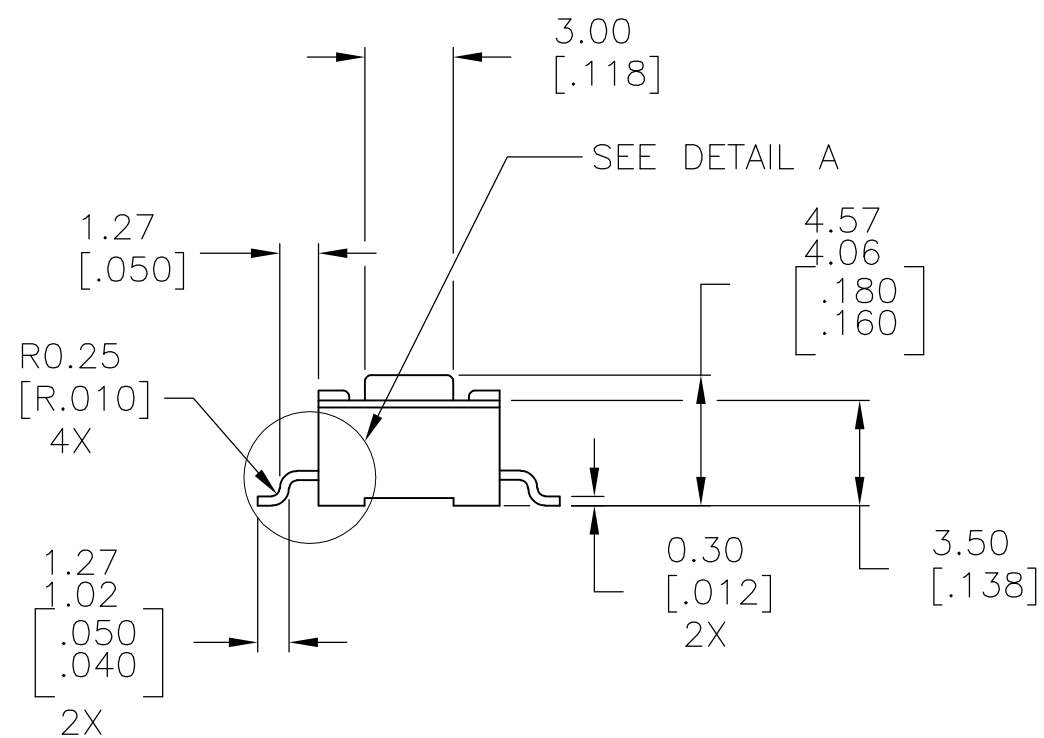
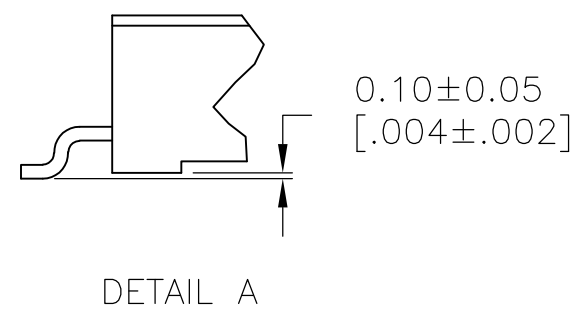
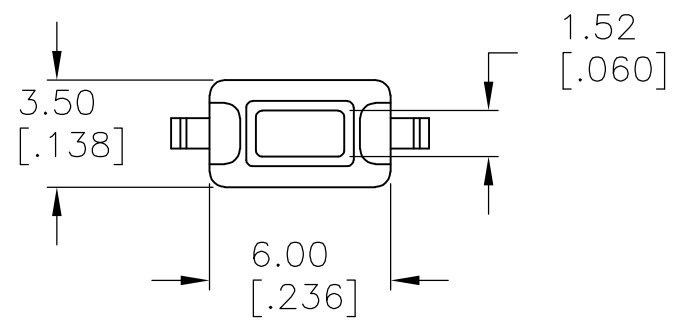


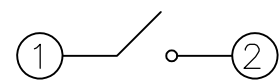
THIS DRAWING IS UNPUBLISHED. RELEASED FOR PUBLICATION  
 © COPYRIGHT - By - ALL RIGHTS RESERVED.

| LOC |     | DIST        |  | REVISIONS                 |         |        |  |
|-----|-----|-------------|--|---------------------------|---------|--------|--|
| P   | LTR | DESCRIPTION |  | DATE                      | DWN     | APVD   |  |
| AD  | 00  | C1          |  | REVISED PER ECO-11-004917 | 11MAR11 | RK HMR |  |



CIRCUIT DIAGRAM

NOTE: TERMINAL NUMBERS ARE FOR REFERENCE ONLY AND DO NOT APPEAR ON SWITCHES.



SPECIFICATIONS:

MATERIALS:

CASE: NYLON 46, G30, BROWN  
 COVER: STAINLESS STEEL  
 ACTUATOR BUTTON: PPS, BLACK.  
 MOVING CONTACT: 301 STAINLESS STEEL, 20μ" Ag CLAD.  
 FIXED CONTACT/TERMINALS: BRASS, 40μ", Ag PLATE.

ELECTRICAL:

MAX CONTACT RATING: 50MILLIAMPS@24V DC  
 MIN CONTACT RATING: 10MICROAMPS@1V DC  
 INITIAL CONTACT RESISTANCE: 100 MILLIOHMS MAX.  
 INSULATION RESISTANCE: 500 MEGOHMS MIN @ 500 VDC.  
 DIELECTRIC STRENGTH: 500 VAC 50/60 Hz FOR 1 MINUTE  
 LIFE EXPECTANCY: 20,000 CYCLES MIN.

MECHANICAL:

ACTUATION FORCE: SEE TABLE  
 ACTUATION TRAVEL: 0.25mm [.010"] APPROX.

ENVIRONMENTAL:

OPERATING TEMPERATURE: -35°C TO +85°C  
 STORAGE TEMPERATURE: -35°C TO +85°C  
 SOLDER HEAT RESISTANCE PER 109-201, COND B  
 SOLDERABILITY SPEC EIA-364-52, CLASS 1, CATEGORY 2

NOTES:

- ALL MATERIALS AND FINISHES SHALL COMPLY WITH EU DIRECTIVE 2002/95/EC OF 27JAN2003 (ROHS)
- SUBCONTRACTOR TO NOTE PART NUMBER MANUFACTURING LOT NUMBER AND QUANTITY ON EACH PACKAGE.
- PARTS ARE TO BE COMMERCIALY FREE OF ALL BURRS (MAX. OF 5% OF MATERIAL THICKNESS). NO LOOSE BURRS PERMITTED.
- TERMINAL TO BE FLUSH TO THE CASE BOTTOM, SEE DETAIL A.

|                 |                     |           |
|-----------------|---------------------|-----------|
| 180 ±50 gm.     | FSMSMTR             | 1437566-4 |
| 180 ±50 gm.     | FSMSM               | 1437566-3 |
| ACTUATION FORCE | OLD T&B PART NUMBER | PART NO.  |

|  |  |   |         |   |  |
|--|--|---|---------|---|--|
| THIS DRAWING IS A CONTROLLED DOCUMENT. |  | DWN   | 12FEB96 |   |  |
|  |  | CHK   | -       |   |  |
| DIMENSIONS: mm [INCHES]                |  | TOLERANCES UNLESS OTHERWISE SPECIFIED:  |         | NAME  |  |
|  |  | 0 PLC ± -<br>1 PLC ± -<br>2 PLC ± 0.30[.012]<br>3 PLC ± -<br>4 PLC ± -<br>ANGLES ± 1° |         | S.KIRCORIAN<br>W.MONTAGUE                             |  |
| MATERIAL SEE SPECIFICATIONS            |  | FINISH SEE SPECIFICATIONS   |         | PRODUCT SPEC<br>APPLICATION SPEC                      |  |
|  |  | WEIGHT -  |         | SIZE A2<br>CAGE CODE 00779<br>DRAWING NO. C=1437566-3 |  |
|  |  | CUSTOMER DRAWING  |         | RESTRICTED TO<br>SCALE 4:1 SHEET 1 OF 1 REV C1        |  |