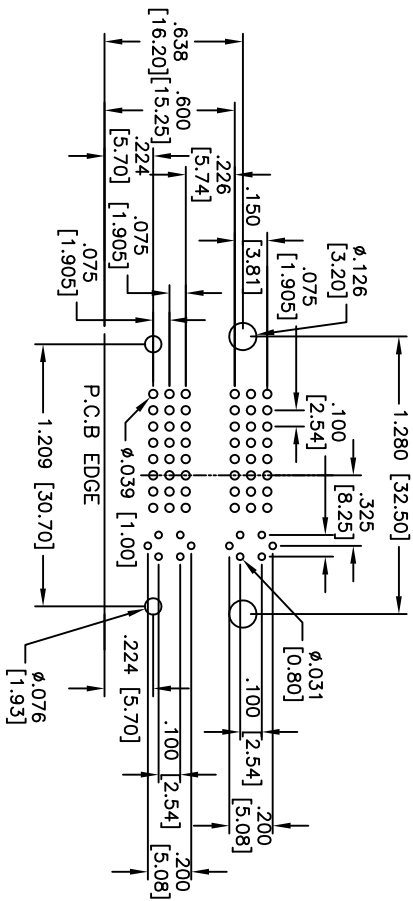
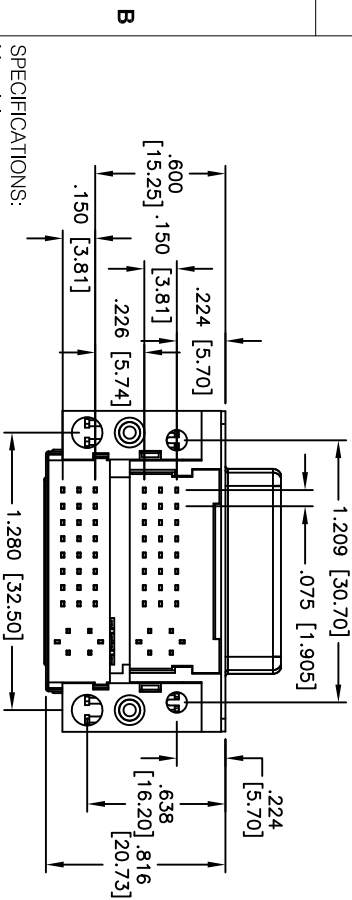
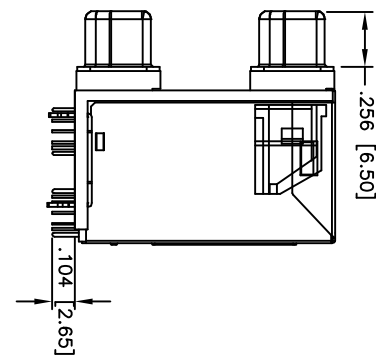
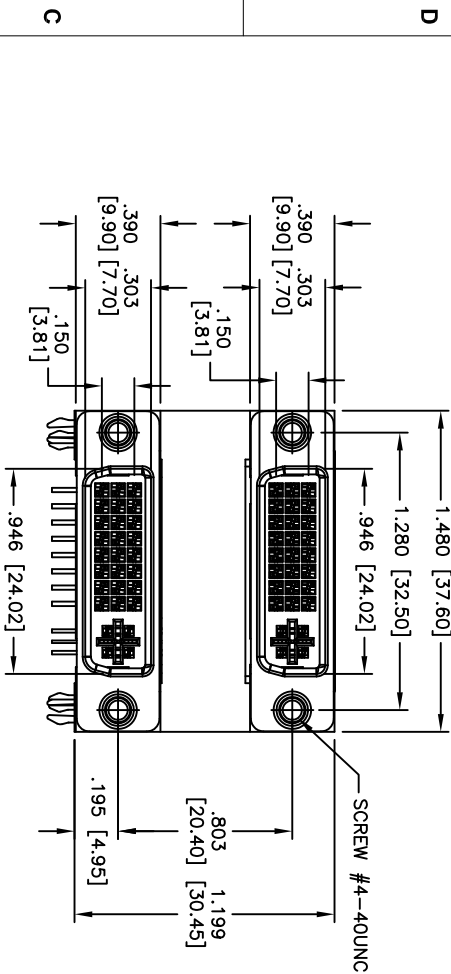


APPROVED: _____

DATE: _____ TITLE: _____

Rev	AWO #	Description	Date	Appr
-		RELEASED	4/19/10	
A		REDRAWN	4/22/10	



RECOMMENDED P.C.B LAYOUT

SPECIFICATIONS:

Material: Insulator: PBT, glass reinforced, rated UL 94V-0

Insulator color: Black

Contacts: Copper Alloy

Shell: SPCC, Nickel plated

Plating:

Gold flash over Nickel underplate overall

Electrical:

Current rating: 1.5 Amps max.

Contact resistance: Upper port 30 milliohms max.
Lower port 20 milliohms max.

Insulation resistance: 1,000 Medohms min

Dielectric withstanding voltage: 500 V DC RMS

Temperature Rating:

Operating temperature: -55°C to +85°C

Environmental:

Lead free, RoHS compliant.

Recommended soldering temp: 235°C for 5 sec.

6 5 4 3 2 1

UNLESS OTHERWISE SPECIFIED
ALL DIMENSIONS ARE MILLIMETERS
TOLERANCES: EXCEPT AS NOTED
INCHES
HOLES
.X ± 0.25
.XX ± 0.15
.XXX ± 0.05
ØXX ± 0.13

ADAM TECH
909 Rahway Avenue, Union, NJ 07083
Phone: 908-687-5000 Fax: 908-687-5710

APPROVALS	DATE	TITLE
DRAWN DY	4/19/10	DUAL PORT MIXED DVI-FEMALE / DVI-FEMALE RIGHT ANGLE # 4-40 THREADED HOLES
CHECKED		
APPROVED		

SIZE	PART NO.	REV.
X	DPD-DVII/DVI-00-E3-NB	A

REF: S00027T SCALE: NTS SHEET 1 OF 1

