

## Features

- $BV_{CEO} > 465V$
- $BV_{CES} > 800V$
- $BV_{EBO} > 9V$
- $I_C = 1.5A$  High Continuous Collector Current
- **Lead-Free Finish; RoHS Compliant (Notes 1 & 2)**
- **Halogen and Antimony Free. "Green" Device (Note 3)**

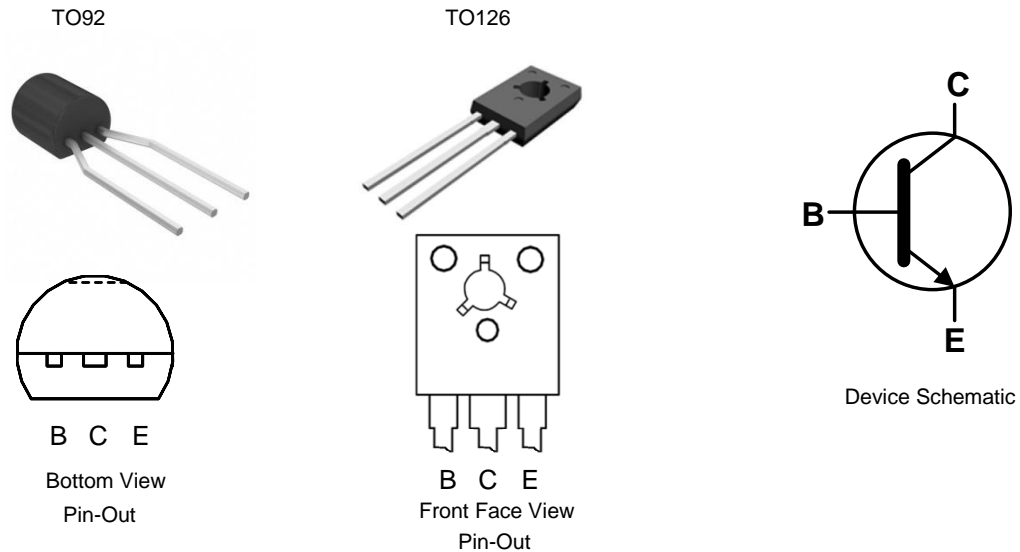
## Applications

Low Power AC-DC SMPS for:

- Battery Chargers for Mobile Phone / Tablets / Smartphones
- Power Supply for DVD / STB
- LED Lighting

## Mechanical Data

- Case: TO92 or TO126
- Case Material: Molded Plastic, "Green" Molding Compound; UL Flammability Classification Rating 94V-0
- Terminals: Matte Tin Finish; Solderable per MIL-STD-202, Method 208 <sup>Ⓔ</sup>
- Weight: TO92: 200mg (Approximate)  
TO126: 400mg (Approximate)

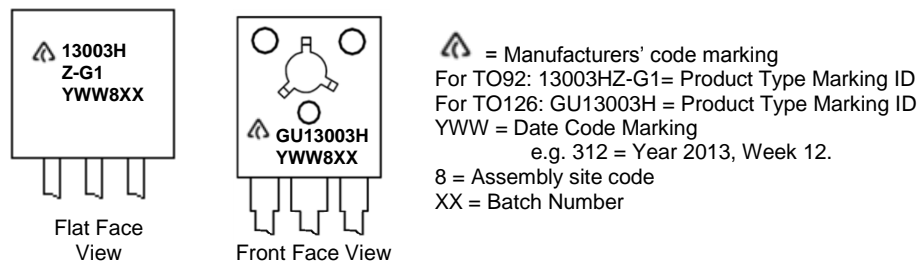


## Ordering Information (Note 4)

Product	Package	Marking	Quantity
APT13003HZTR-G1	TO92 (Joggled Legs)	13003HZ-G1	2,000 Taped, per Ammo Box
APT13003HU-G1	TO126	GU13003H	4,000 Bulk, Loose per Box

- Notes:
1. EU Directive 2002/95/EC (RoHS) & 2011/65/EU (RoHS 2) compliant. All applicable RoHS exemptions applied.
  2. See [http://www.diodes.com/quality/lead\\_free.html](http://www.diodes.com/quality/lead_free.html) for more information about Diodes Incorporated's definitions of Halogen- and Antimony-free, "Green" and Lead-free.
  3. Halogen- and Antimony-free "Green" products are defined as those which contain <900ppm bromine, <900ppm chlorine (<1500ppm total Br + Cl) and <1000ppm antimony compounds.
  4. For packaging details, go to our website at <http://www.diodes.com/products/packages.html>.

## Marking Information



**Absolute Maximum Ratings** (@T<sub>A</sub> = +25°C, unless otherwise specified.)

Characteristic	Symbol	Value	Unit
Collector-Emitter Voltage (V <sub>BE</sub> = 0V)	V <sub>CES</sub>	800	V
Collector-Emitter Voltage	V <sub>CEO</sub>	465	V
Emitter-Base Voltage	V <sub>EBO</sub>	9	V
Continuous Collector Current	I <sub>C</sub>	1.5	A
Peak Pulse Collector Current (Note 5)	I <sub>CM</sub>	3	A
Continuous Base Current	I <sub>B</sub>	0.75	A
Peak Pulse Base Current (Note 5)	I <sub>BM</sub>	1.5	A

Note: 5. Pulse test for pulse width < 5ms, duty cycle ≤ 10%.

**Thermal Characteristics** (@T<sub>A</sub> = +25°C, unless otherwise specified.)

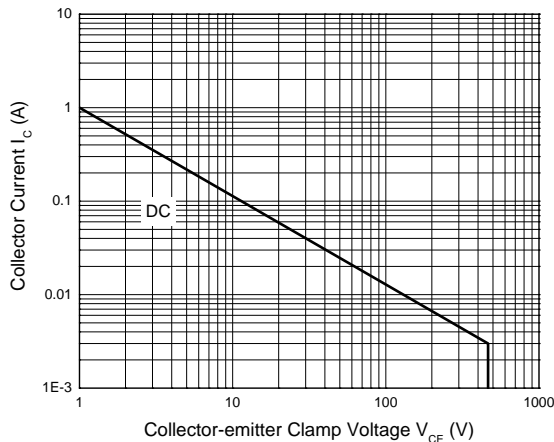
Characteristic	Symbol	Value	Unit
Power Dissipation	P <sub>D</sub>	For TO92	1.1
		For TO126 @ T <sub>C</sub> = +25°C	20
Thermal Resistance, Junction to Ambient Air	R <sub>θJA</sub>	For TO92	113.6
		For TO126	96
Thermal Resistance, Junction to Case	R <sub>θJC</sub>	For TO92	83.3
		For TO126	6.25
Operating and Storage Temperature Range	T <sub>J</sub> , T <sub>STG</sub>	-65 to +150	°C

**ESD Ratings** (Note 6)

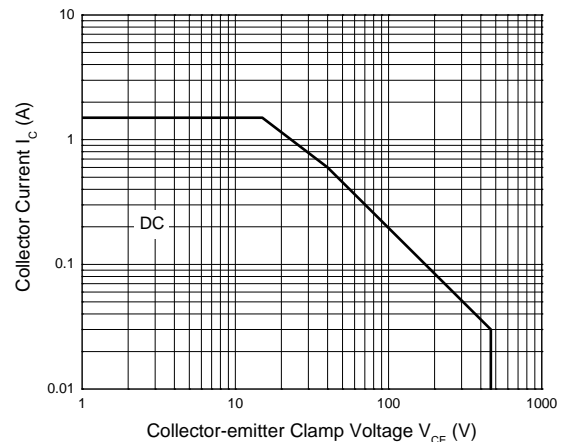
Characteristic	Symbol	Value	Unit	JEDEC Class
Electrostatic Discharge - Human Body Model	ESD HBM	8,000	V	3B
Electrostatic Discharge - Machine Model	ESD MM	400	V	C

Note: 6. Refer to JEDEC specification JESD22-A114 and JESD22-A115.

**Safe Operating Area and Derating Information** (@T<sub>A</sub> = +25°C, unless otherwise specified.)



Safe Operating Areas (TO92 Package)



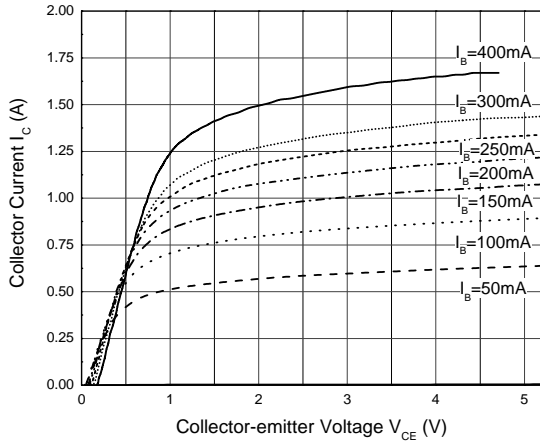
Safe Operating Areas (TO126 Package)

**Electrical Characteristics** (@T<sub>A</sub> = +25°C, unless otherwise specified.)

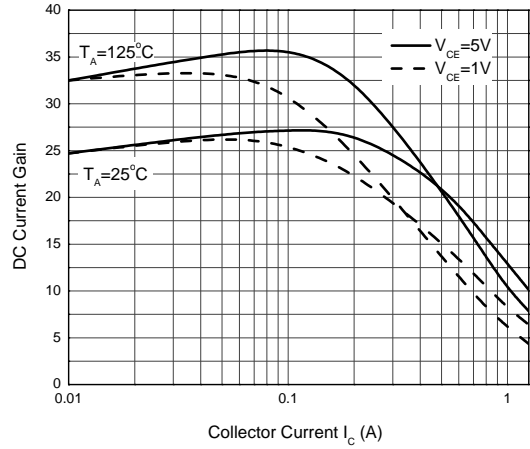
Characteristic	Symbol	Min	Typ	Max	Unit	Test Condition
Collector-Emitter Breakdown Voltage	$V_{CES}$	800	—	—	V	$I_C = 100\mu A, V_{BE} = 0V$
Collector-Emitter Breakdown Voltage	$V_{CEO}$	465	—	—	V	$I_C = 100\mu A$
Emitter-Base Breakdown Voltage	$V_{EBO}$	9	—	—	V	$I_E = 100\mu A$
Collector Cutoff Current	$I_{CEV}$	—	—	10	$\mu A$	$V_{CE} = 800V, V_{BE} = -1.5V$
DC Current Transfer Static Ratio (Note 7)	$h_{FE}$	15	—	—	—	$I_C = 0.3A, V_{CE} = 2V$
		13	17	30	—	$I_C = 0.5A, V_{CE} = 2V$
		5	—	25	—	$I_C = 1.0A, V_{CE} = 2V$
Collector-Emitter Saturation Voltage (Note 7)	$V_{CE(sat)}$	—	0.17 0.29	0.3 0.4	V	$I_C = 0.5A, I_B = 0.1A$ $I_C = 1A, I_B = 0.25A$
Base-Emitter Saturation Voltage (Note 7)	$V_{BE(sat)}$	—	—	1.0 1.2	V	$I_C = 0.5A, I_B = 0.1A$ $I_C = 1A, I_B = 0.25A$
Output Capacitance	$C_{ob}$	—	16	—	pF	$V_{CB} = 10V, f = 0.1MHz$
Transition Frequency	$f_T$	4	—	—	MHz	$I_C = 0.1A, V_{CE} = 10V$
Turn-on Time with Resistive Load	$t_{on}$	—	0.3	1	$\mu s$	$I_C = 1A, V_{CC} = 125V, I_{B1} = 0.2A,$ $I_{B2} = -0.2A, t_p = 25\mu s$
Storage Time with Resistive Load	$t_s$	—	1.8	3		
Fall Time with Resistive Load	$t_f$	—	0.28	0.4		

Note: 7. Measured under pulsed conditions. Pulse width  $\leq 300\mu s$ . Duty cycle  $\leq 2\%$ .

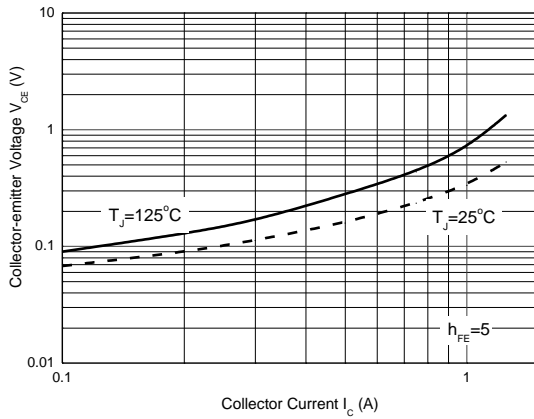
**Typical Electrical Characteristics** (@ $T_A = +25^\circ\text{C}$ , unless otherwise specified.)



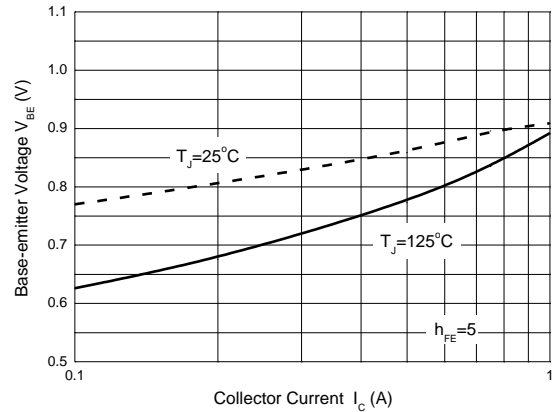
Static Characteristics



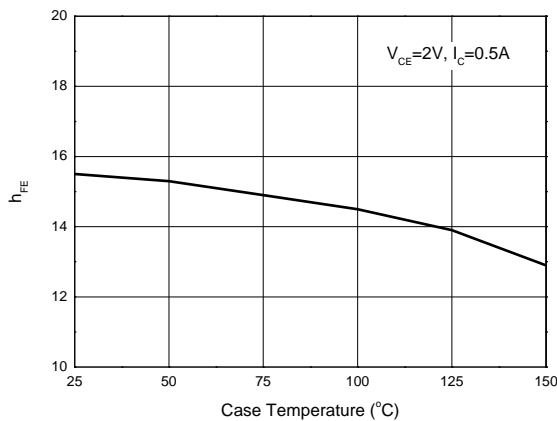
DC Current Gain vs. Collector Current



Collector-emitter Saturation Voltage



Base-emitter Saturation Voltage

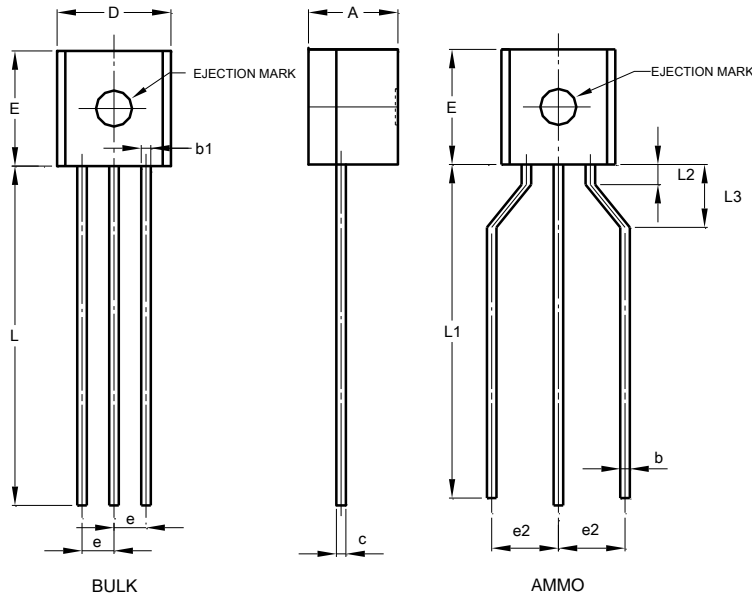


$h_{FE}$  vs. Case Temperature

## Package Outline Dimensions

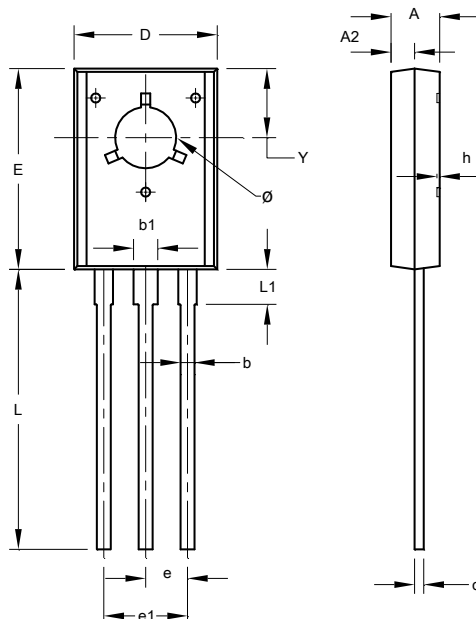
Please see AP02002 at <http://www.diodes.com/datasheets/ap02002.pdf> for latest version.

### (1) Package Type: TO92 Type C



TO92 Type C			
Dim	Min	Max	Typ
A	3.30	3.70	-
A2	1.10	1.40	-
b	0.38	0.55	-
c	0.36	0.51	-
D	4.40	4.70	-
D1	3.430	-	-
E	4.30	4.70	-
e	-	-	1.27
e2	2.440	2.640	-
h	0.00	0.38	-
L	14.10	14.50	-
L1	12.50	14.50	-
L3	2.50	3.50	-
ø	-	1.60	-
All Dimensions in mm			

### (2) Package Type: TO126



TO126			
Dim	Min	Max	Typ
A	2.400	2.900	-
A2	1.060	1.500	-
b	0.660	0.860	-
b1	1.170	1.470	-
c	0.400	0.600	-
D	7.400	8.200	-
E	10.60	11.20	-
e	-	-	2.280
e1	-	-	4.560
h	0.00	0.30	-
L	14.50	15.90	-
L1	1.700	2.100	-
Y	3.600	3.900	-
ø	3.100	3.550	-
All Dimensions in mm			

Note: For high voltage applications, the appropriate industry sector guidelines should be considered with regards to voltage spacing between terminals.

**IMPORTANT NOTICE**

DIODES INCORPORATED MAKES NO WARRANTY OF ANY KIND, EXPRESS OR IMPLIED, WITH REGARDS TO THIS DOCUMENT, INCLUDING, BUT NOT LIMITED TO, THE IMPLIED WARRANTIES OF MERCHANTABILITY AND FITNESS FOR A PARTICULAR PURPOSE (AND THEIR EQUIVALENTS UNDER THE LAWS OF ANY JURISDICTION).

Diodes Incorporated and its subsidiaries reserve the right to make modifications, enhancements, improvements, corrections or other changes without further notice to this document and any product described herein. Diodes Incorporated does not assume any liability arising out of the application or use of this document or any product described herein; neither does Diodes Incorporated convey any license under its patent or trademark rights, nor the rights of others. Any Customer or user of this document or products described herein in such applications shall assume all risks of such use and will agree to hold Diodes Incorporated and all the companies whose products are represented on Diodes Incorporated website, harmless against all damages.

Diodes Incorporated does not warrant or accept any liability whatsoever in respect of any products purchased through unauthorized sales channel. Should Customers purchase or use Diodes Incorporated products for any unintended or unauthorized application, Customers shall indemnify and hold Diodes Incorporated and its representatives harmless against all claims, damages, expenses, and attorney fees arising out of, directly or indirectly, any claim of personal injury or death associated with such unintended or unauthorized application.

Products described herein may be covered by one or more United States, international or foreign patents pending. Product names and markings noted herein may also be covered by one or more United States, international or foreign trademarks.

This document is written in English but may be translated into multiple languages for reference. Only the English version of this document is the final and determinative format released by Diodes Incorporated.

**LIFE SUPPORT**

Diodes Incorporated products are specifically not authorized for use as critical components in life support devices or systems without the express written approval of the Chief Executive Officer of Diodes Incorporated. As used herein:

A. Life support devices or systems are devices or systems which:

1. are intended to implant into the body, or
2. support or sustain life and whose failure to perform when properly used in accordance with instructions for use provided in the labeling can be reasonably expected to result in significant injury to the user.

B. A critical component is any component in a life support device or system whose failure to perform can be reasonably expected to cause the failure of the life support device or to affect its safety or effectiveness.

Customers represent that they have all necessary expertise in the safety and regulatory ramifications of their life support devices or systems, and acknowledge and agree that they are solely responsible for all legal, regulatory and safety-related requirements concerning their products and any use of Diodes Incorporated products in such safety-critical, life support devices or systems, notwithstanding any devices- or systems-related information or support that may be provided by Diodes Incorporated. Further, Customers must fully indemnify Diodes Incorporated and its representatives against any damages arising out of the use of Diodes Incorporated products in such safety-critical, life support devices or systems.

Copyright © 2014, Diodes Incorporated

[www.diodes.com](http://www.diodes.com)