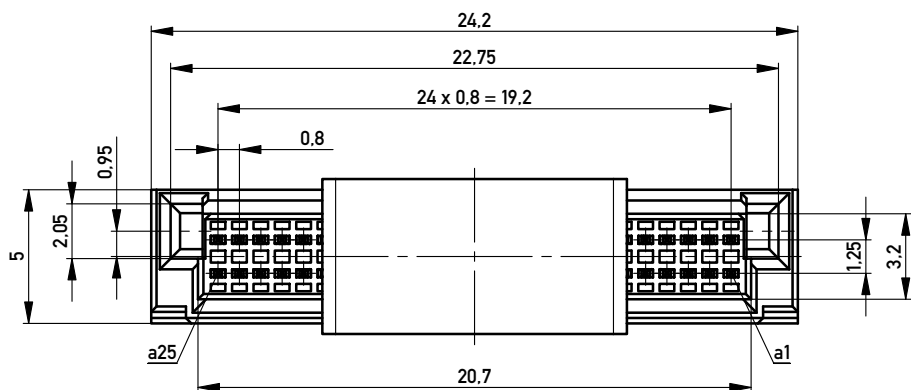
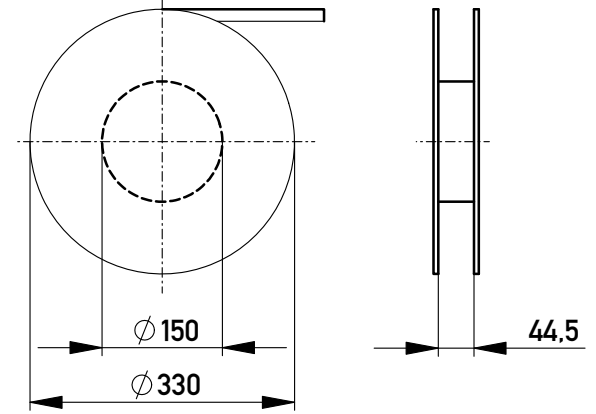
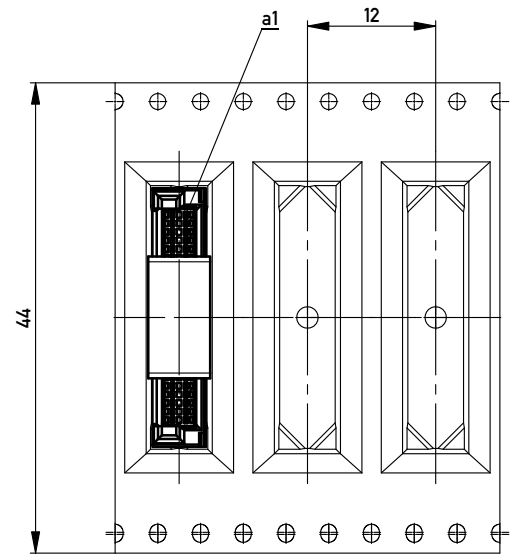


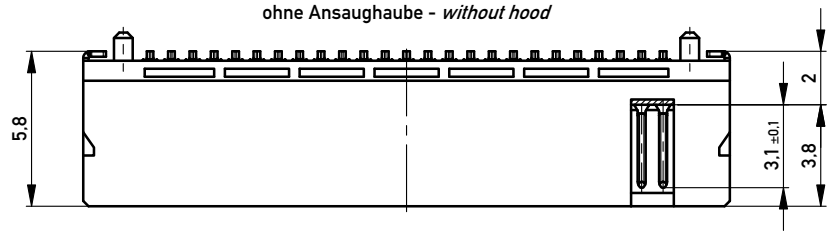
Verpackt in Gurtverpackung - *Tape on Reel Packaging*
 Verpackungseinheit: 630 Stück - *Packaging unit: 630 pcs*



Abspulrichtung - *Reel off Direction*



ohne Ansaughaube - *without hood*



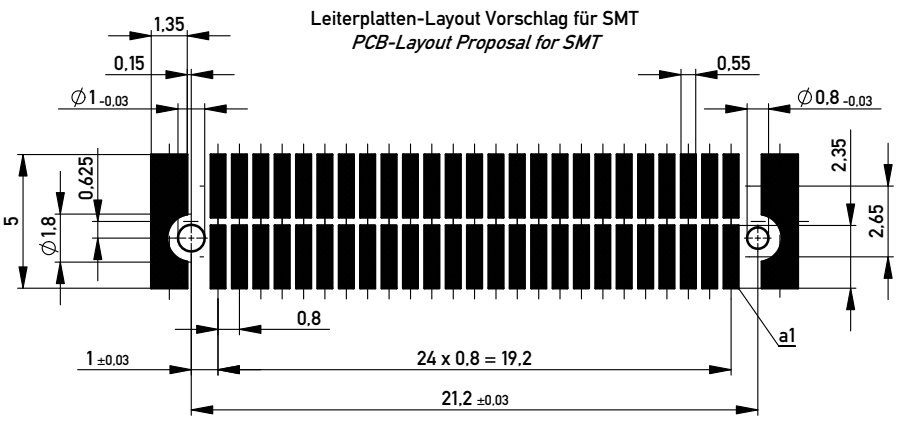
Anforderungsstufe 2
Performance Level 2

Kontaktbereich vergoldet
Mating Area gold plating

Anschlussbereich verzinkt 4-6 µm
Terminal Area 4-6 µm tin plating

Koplanarität der Anschlüsse ≤ 0.1 mm
Coplanarity Area of Termination ≤ 0.1 mm

Leiterplatten-Layout Vorschlag für SMT
PCB-Layout Proposal for SMT



Information:	Tolerances	 All Dimensions in mm	Scale	5:1
	All rights reserved. Only for Information. To ensure that this is the latest version of this drawing, please contact one of the ERNI companies before using.		Designation 0.8 DRC-Q, M 2mm, 50 polig <i>0,8 DRC-Q, M 2mm, 50 pin</i>	
Subject to modification without prior notice. Drawing will not be updated.		 www.ERNI.com		294151
Index	Date	Class		DRCQ
				I A3

Copyright by ERNI GmbH
 Proprietary notice pursuant to ISO 9006 to be observed.