

250V N-CHANNEL ENHANCEMENT MODE MOSFET

Product Summary

$V_{(BR)DSS}$	Max $R_{DS(on)}$	Max I_D $T_A = +25^\circ C$
250V	8.5Ω @ $V_{GS} = 10V$	230mA

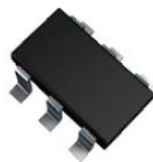
Description and Applications

This 250V enhancement mode N-channel MOSFET provides users with a competitive specification. It offers efficient power handling capability, high impedance and is free from thermal runaway and thermally induced secondary breakdowns. Applications benefiting from this device include a variety of Telecom and general high-voltage circuits.

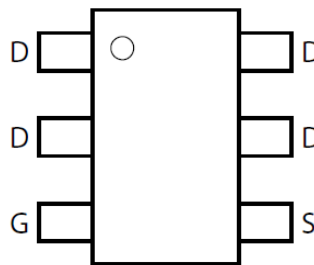
SOT89 and SOT223 versions are also available.

- Earth Recall and Dialing Switches
- Electronic Hook Switches
- High Voltage Power MOSFET Drivers
- Telecom Call Routers
- Solid State Relays

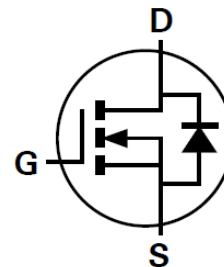
SOT26



Top View



Pinout Top-view



Device symbol

Features and Benefits

- High voltage
- Low on-resistance
- Fast switching speed
- Low threshold
- Low gate drive
- Complementary P-channel Type ZVP4525E6
- **Totally Lead-Free & Fully RoHS Compliant (Notes 1 & 2)**
- **Halogen and Antimony Free. "Green" Device (Note 3)**

Mechanical Data

- Case: SOT26
- Case Material: Molded Plastic, "Green" Molding Compound. UL Flammability Classification Rating 94V-0
- Moisture Sensitivity: Level 1 per J-STD-020
- Terminals: Finish – Matte Tin Annealed over Copper Leadframe. Solderable per MIL-STD-202, Method 208
- Weight: 0.015 grams (Approximate)

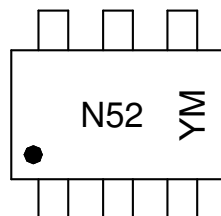
Ordering Information (Note 4)

Part Number	Reel Size (inch)	Tape Width (mm)	Quantity Per Reel
ZVN4525E6TA	7	8	3,000
ZVN4525E6TC	13	8	10,000

- Notes:
1. No purposely added lead. Fully EU Directive 2002/95/EC (RoHS) & 2011/65/EU (RoHS 2) compliant.
 2. See http://www.diodes.com/quality/lead_free.html for more information about Diodes Incorporated's definitions of Halogen- and Antimony-free, "Green" and Lead-free.
 3. Halogen and Antimony free "Green" products are defined as those which contain <900ppm bromine, <900ppm chlorine (<1500ppm total Br + Cl) and <1000ppm antimony compounds.
 4. For packaging details, go to our website at <http://www.diodes.com>.

Marking Information

SOT26



N52 = Product Type Marking Code
 YM = Date Code Marking
 Y or \bar{Y} = Year (ex: C = 2015)
 M or \bar{M} = Month (ex: 9 = September)

Date Code Key

Year	2015	2016	2017	2018	2019	2020	2021	2022	2023	2024	2025
Code	C	D	E	F	G	H	I	J	K	L	M

Month	Jan	Feb	Mar	Apr	May	Jun	Jul	Aug	Sep	Oct	Nov	Dec
Code	1	2	3	4	5	6	7	8	9	O	N	D

Maximum Ratings (@ $T_A = +25^\circ\text{C}$, unless otherwise specified.)

Characteristic		Symbol	Value	Unit
Drain-Source Voltage		V_{DSS}	250	V
Gate-Source Voltage		V_{GS}	± 40	V
Continuous Drain Current	$V_{GS} = 10\text{V}$	I_D	$T_A = +25^\circ\text{C}$ (Note 4)	230
			$T_A = +70^\circ\text{C}$ (Note 4)	183
Pulsed Drain Current (Note 6)		I_{DM}	1.44	A
Continuous Source Current (Body Diode)		I_S	1.1	A
Pulsed Source Current (Body Diode)		I_{SM}	1.44	A

Thermal Characteristics (@ $T_A = +25^\circ\text{C}$, unless otherwise specified.)

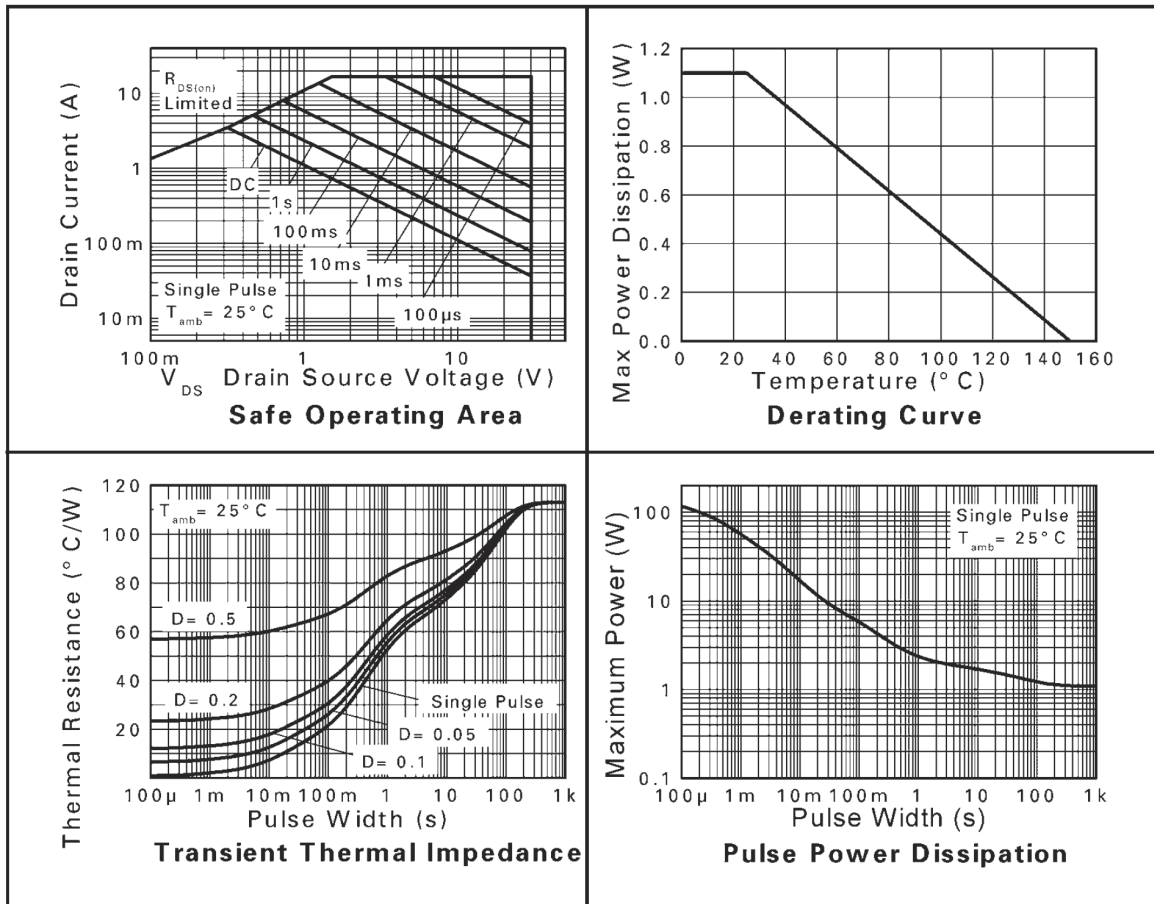
Characteristic	Symbol	Value	Unit
Power Dissipation at $T_A = +25^\circ\text{C}$ (Note 4)	P_D	1.1	W
Linear Derating Factor		8.8	mW/ $^\circ\text{C}$
Junction to Ambient (Note 4)	$R_{\theta JA}$	113	$^\circ\text{C}/\text{W}$
Junction to Ambient (Note 5)	$R_{\theta JA}$	65	$^\circ\text{C}/\text{W}$
Operating and Storage Temperature Range	T_J, T_{STG}	-55 to +150	$^\circ\text{C}$

- Notes:
- For a device surface mounted on 25mm x 25mm FR4 PCB with high coverage of single sided 1oz copper, in still air conditions.
 - For a device surface mounted on FR4 PCB measured at $t \leq 5$ secs.
 - Repetitive rating - pulse width limited by maximum junction temperature. Refer to Transient Thermal.

NB High Voltage Applications

For high voltage applications, the appropriate industry sector guidelines should be considered with regards to voltage spacing between conductors.

Thermal Characteristics

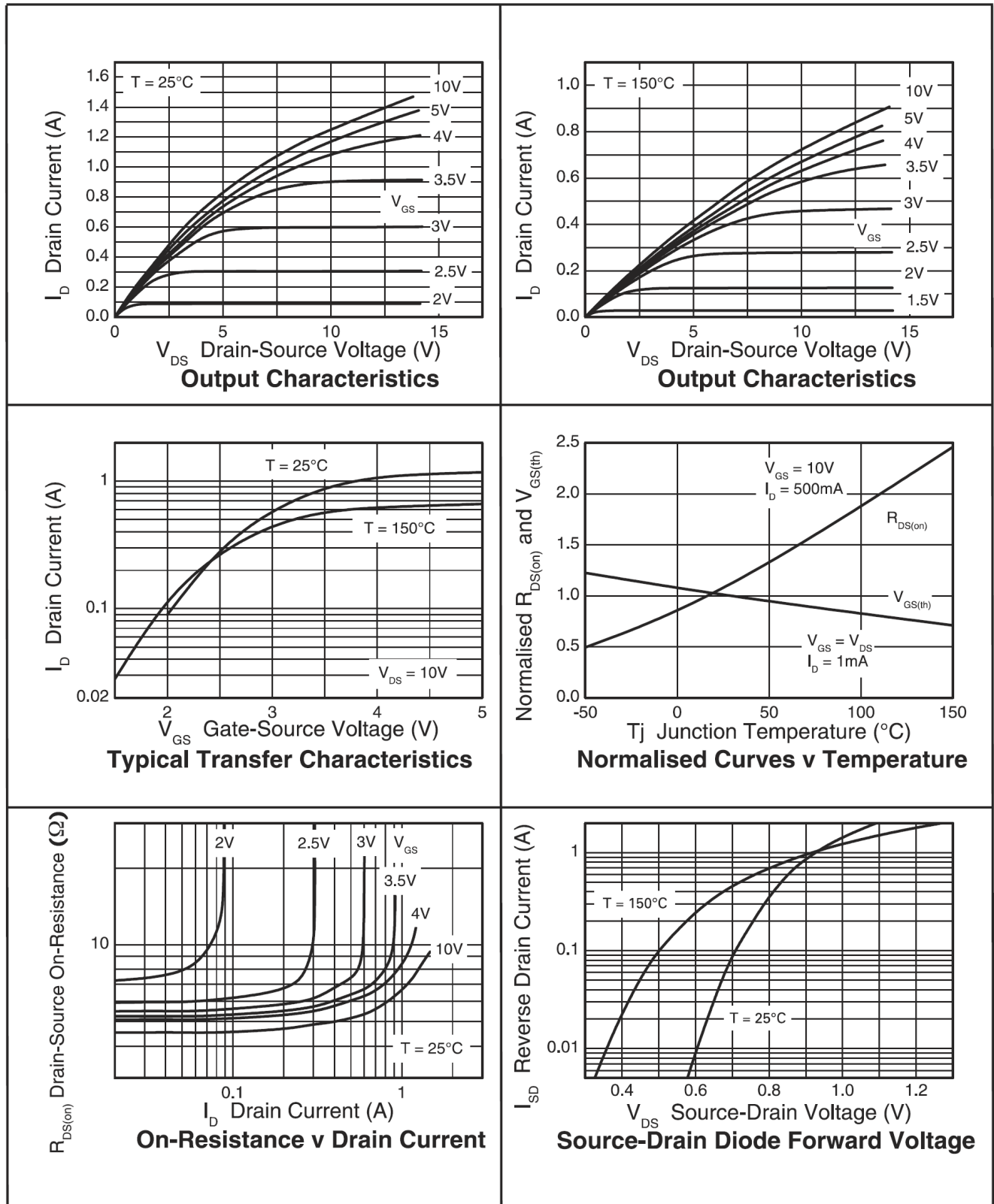


Electrical Characteristics (@ $T_A = +25^\circ\text{C}$, unless otherwise specified.)

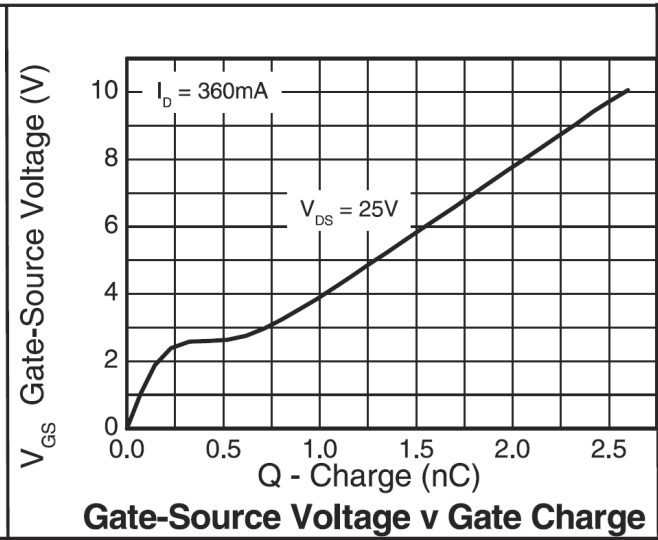
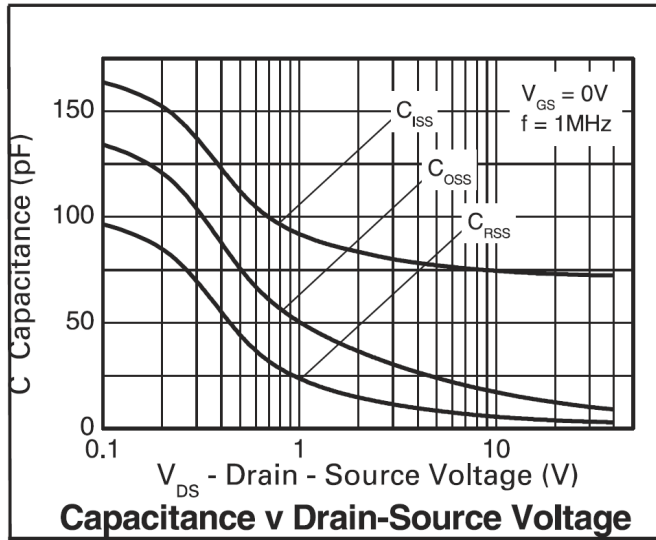
Characteristic	Symbol	Min	Typ	Max	Unit	Test Condition
OFF CHARACTERISTICS						
Drain-Source Breakdown Voltage	BV_{DSS}	250	285	-	V	$I_D = 1\text{mA}$, $V_{GS} = 0\text{V}$
Zero Gate Voltage Drain Current	I_{DSS}	-	35	500	μA	$V_{DS} = 250\text{V}$, $V_{GS} = 0\text{V}$
Gate-Body Leakage	I_{GSS}		± 1	100	nA	$V_{GS} = \pm 40\text{V}$, $V_{DS} = 0\text{V}$
ON CHARACTERISTICS						
Gate-Source Threshold Voltage	$V_{GS(th)}$	0.8	1.4	1.8	V	$I_D = 1\text{mA}$, $V_{DS} = V_{GS}$
Static Drain-Source On-State Resistance (Note 7)	$R_{DS(on)}$	-	5.6	8.5	Ω	$V_{GS} = 10\text{V}$, $I_D = 500\text{mA}$
			5.9	9.0	Ω	$V_{GS} = 4.5\text{V}$, $I_D = 360\text{mA}$
			6.4	9.5	Ω	$V_{GS} = 2.4\text{V}$, $I_D = 20\text{mA}$
Forward Transconductance (Note 9)	g_{fs}	0.3	0.475	-	S	$V_{DS} = 10\text{V}$, $I_D = 0.3\text{A}$
Diode Forward Voltage (Note 7)	V_{SD}			0.97	V	$T_J = +25^\circ\text{C}$, $I_S = 360\text{mA}$, $V_{GS} = 0\text{V}$
DYNAMIC CHARACTERISTICS (Notes 8 & 9)						
Input Capacitance	C_{iss}	-	72	-	pF	$V_{DS} = 25\text{V}$, $V_{GS} = 0\text{V}$ $f = 1\text{MHz}$
Output Capacitance	C_{oss}	-	11	-	pF	
Reverse Transfer Capacitance	C_{rss}	-	3.6	-	pF	
Total Gate Charge	Q_g	-	2.6	3.65	nC	$V_{GS} = 10\text{V}$, $V_{DS} = 25\text{V}$ $I_D = 360\text{mA}$ (refer to test circuit)
Gate-Source Charge	Q_{gs}	-	0.2	0.28	nC	
Gate-Drain Charge	Q_{gd}	-	0.5	0.7	nC	
Reverse Recovery Time (Note 9)	t_{rr}	-	186	260	ns	$T_J = +25^\circ\text{C}$, $I_F = 360\text{A}$, $di/dt = 100\text{A}/\mu\text{s}$
Reverse Recovery Charge (Note 9)	Q_{rr}	-	34	48	nC	
Turn-On Delay Time	$t_{d(on)}$	-	1.25	-	ns	$V_{DD} = 30\text{V}$, $V_{GS} = 10\text{V}$ $I_D = 360\text{mA}$, $R_G = 50\Omega$ (refer to test circuit)
Turn-On Rise Time	t_r	-	1.7	-	ns	
Turn-Off Delay Time	$t_{d(off)}$	-	11.40	-	ns	
Turn-Off Fall Time	t_f	-	3.5	-	ns	

- Notes:
7. Measured under pulsed conditions. Width=300 μs . Duty cycle $\leq 2\%$.
 8. Switching characteristics are independent of operating junction temperature.
 9. For design aid only, not subject to production testing.

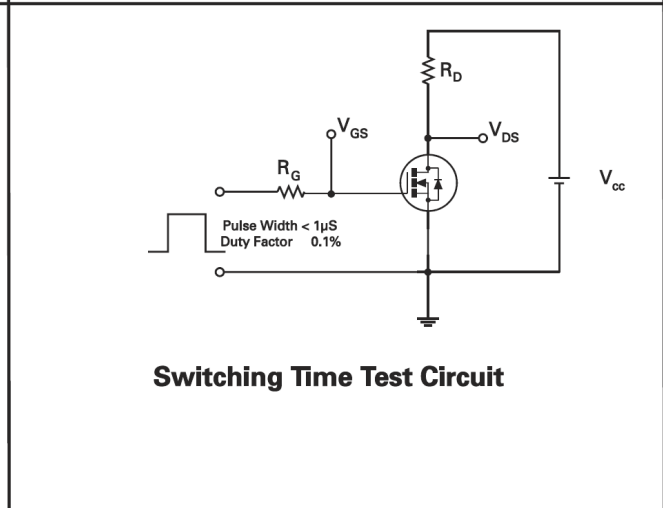
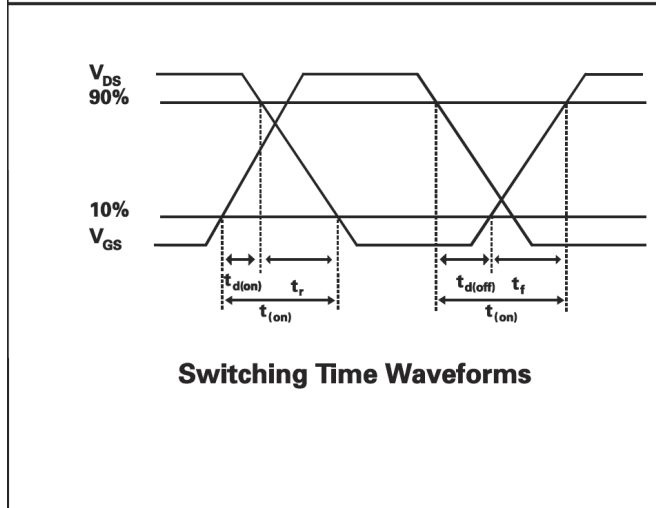
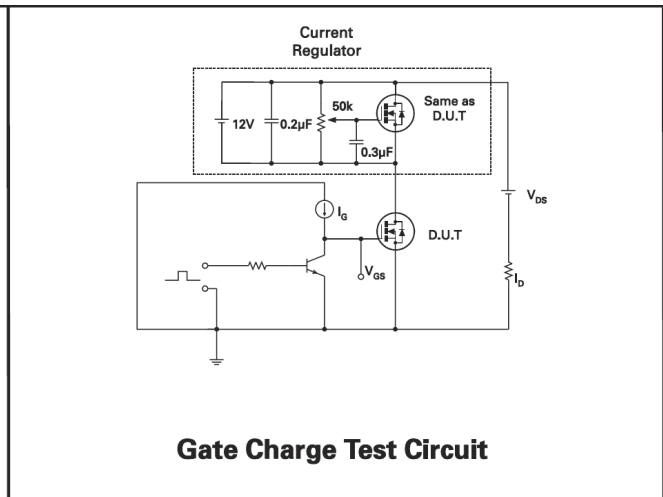
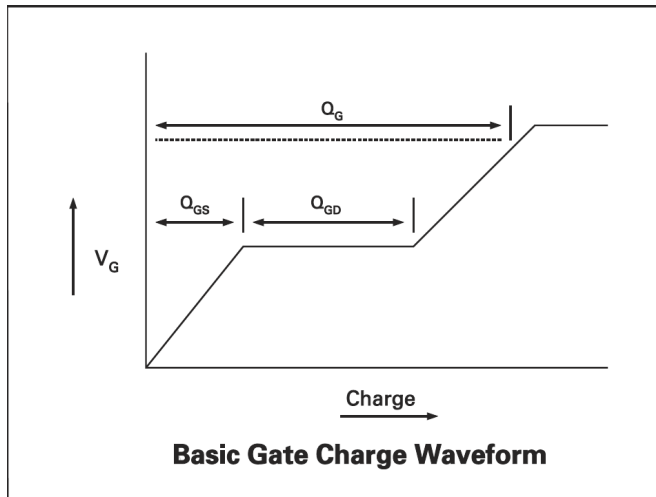
Typical Characteristics



Typical Characteristics (continued)

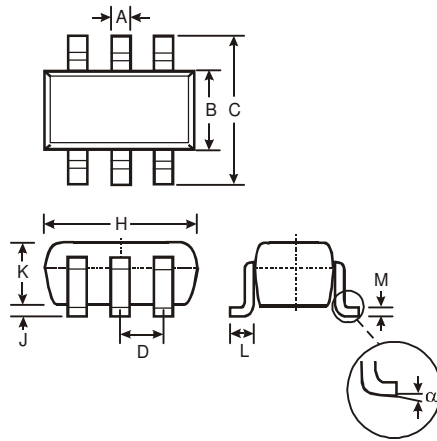


Test Circuits



Package Outline Dimensions

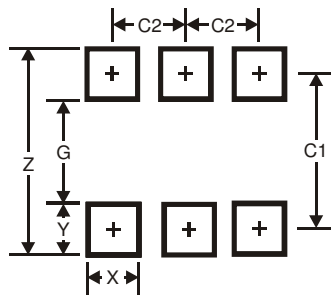
Please see AP02002 at <http://www.diodes.com/datasheets/ap02002.pdf> for the latest version.



SOT26			
Dim	Min	Max	Typ
A	0.35	0.50	0.38
B	1.50	1.70	1.60
C	2.70	3.00	2.80
D	—	—	0.95
H	2.90	3.10	3.00
J	0.013	0.10	0.05
K	1.00	1.30	1.10
L	0.35	0.55	0.40
M	0.10	0.20	0.15
α	0°	8°	—
All Dimensions in mm			

Suggested Pad Layout

Please see AP02001 at <http://www.diodes.com/datasheets/ap02001.pdf> for the latest version.



Dimensions	Value (in mm)
Z	3.20
G	1.60
X	0.55
Y	0.80
C1	2.40
C2	0.95

IMPORTANT NOTICE

DIODES INCORPORATED MAKES NO WARRANTY OF ANY KIND, EXPRESS OR IMPLIED, WITH REGARDS TO THIS DOCUMENT, INCLUDING, BUT NOT LIMITED TO, THE IMPLIED WARRANTIES OF MERCHANTABILITY AND FITNESS FOR A PARTICULAR PURPOSE (AND THEIR EQUIVALENTS UNDER THE LAWS OF ANY JURISDICTION).

Diodes Incorporated and its subsidiaries reserve the right to make modifications, enhancements, improvements, corrections or other changes without further notice to this document and any product described herein. Diodes Incorporated does not assume any liability arising out of the application or use of this document or any product described herein; neither does Diodes Incorporated convey any license under its patent or trademark rights, nor the rights of others. Any Customer or user of this document or products described herein in such applications shall assume all risks of such use and will agree to hold Diodes Incorporated and all the companies whose products are represented on Diodes Incorporated website, harmless against all damages.

Diodes Incorporated does not warrant or accept any liability whatsoever in respect of any products purchased through unauthorized sales channel. Should Customers purchase or use Diodes Incorporated products for any unintended or unauthorized application, Customers shall indemnify and hold Diodes Incorporated and its representatives harmless against all claims, damages, expenses, and attorney fees arising out of, directly or indirectly, any claim of personal injury or death associated with such unintended or unauthorized application.

Products described herein may be covered by one or more United States, international or foreign patents pending. Product names and markings noted herein may also be covered by one or more United States, international or foreign trademarks.

This document is written in English but may be translated into multiple languages for reference. Only the English version of this document is the final and determinative format released by Diodes Incorporated.

LIFE SUPPORT

Diodes Incorporated products are specifically not authorized for use as critical components in life support devices or systems without the express written approval of the Chief Executive Officer of Diodes Incorporated. As used herein:

A. Life support devices or systems are devices or systems which:

1. are intended to implant into the body, or
2. support or sustain life and whose failure to perform when properly used in accordance with instructions for use provided in the labeling can be reasonably expected to result in significant injury to the user.

B. A critical component is any component in a life support device or system whose failure to perform can be reasonably expected to cause the failure of the life support device or to affect its safety or effectiveness.

Customers represent that they have all necessary expertise in the safety and regulatory ramifications of their life support devices or systems, and acknowledge and agree that they are solely responsible for all legal, regulatory and safety-related requirements concerning their products and any use of Diodes Incorporated products in such safety-critical, life support devices or systems, notwithstanding any devices- or systems-related information or support that may be provided by Diodes Incorporated. Further, Customers must fully indemnify Diodes Incorporated and its representatives against any damages arising out of the use of Diodes Incorporated products in such safety-critical, life support devices or systems.

Copyright © 2015, Diodes Incorporated

www.diodes.com