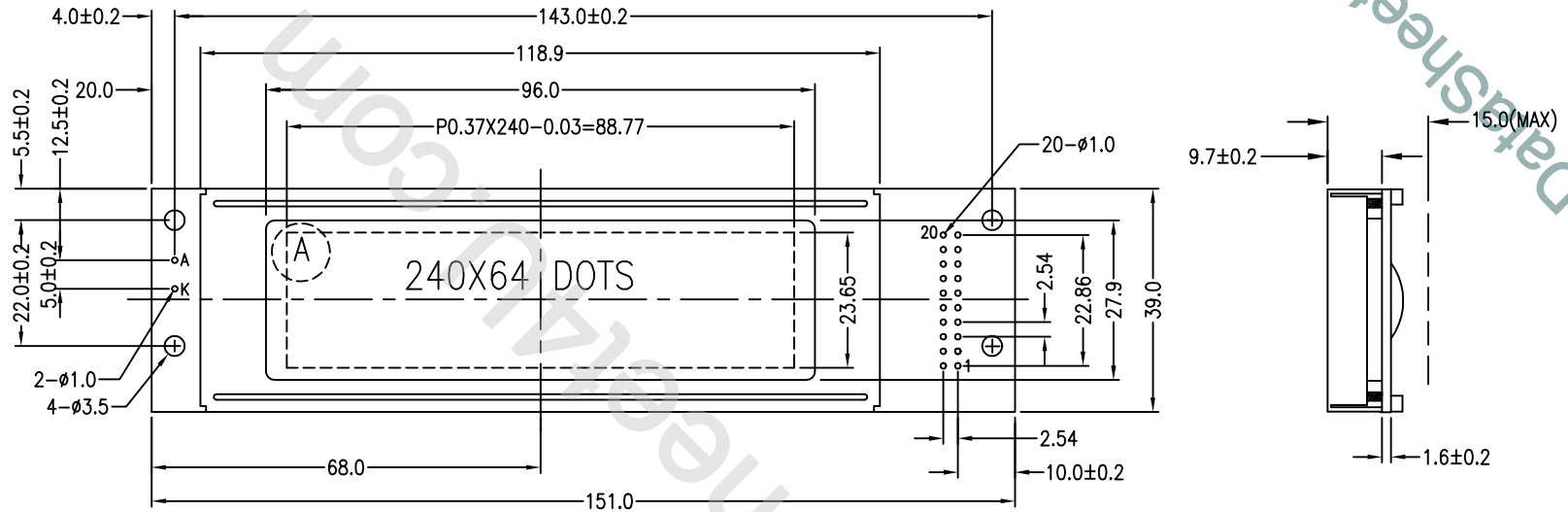
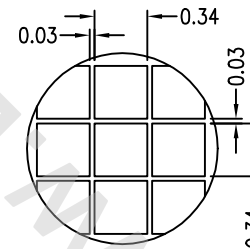


液晶之友 电话: 020-33819057
[Http://www.lcdfriends.com](http://www.lcdfriends.com)



1	2	3	4	5	6	7	8	9	10	11	12	13	14	15	16	17	18	19	20
VSS	VDD	RS	R/W	E	D7	D6	D5	D4	D3	D2	D1	D0	CS1	CS2	CS3	CS4	RES	K	A

DETAIL A:



- NOTES:
1. DISPLAY TYPE: STN or FSTN
 2. VIEWING DIRECTION: 6:00 or 12:00
 3. POLARIZER MODE: TRANFLECTIVE or TRANSMISSIVE
 4. DRIVE METHOD: 1/64 DUTY 1/9 BIAS
 5. LCD OPERATING VOLTAGE: 11.0V
 6. OPERATING TEMP: NORMAL or WIDE
 7. STORAGE TEMP: NORMAL or WIDE
 8. CONTROLLER: S6B0108A01-COCX
 9. BACKLIGHT: LED or NONE
 10. BEZEL IS TO BE PAINTED BLACK
 11. UNMARKED TOLERANCE: ±0.3mm



TIAN-MA MICROELECTRONICS CO.

6/F., CASTIC Building, Shennan Road, Central, Shenzhen, China

DRAWN BY:	TITLE: TM24064Q series	
CHECKED BY:	DWG NO: G-1	
APPROVED BY:	DWG NAME: TM24064QBCWU6C-1	SCALE:
CONFIRMED BY:	SHEET NO: 1 OF 1	UNIT: mm