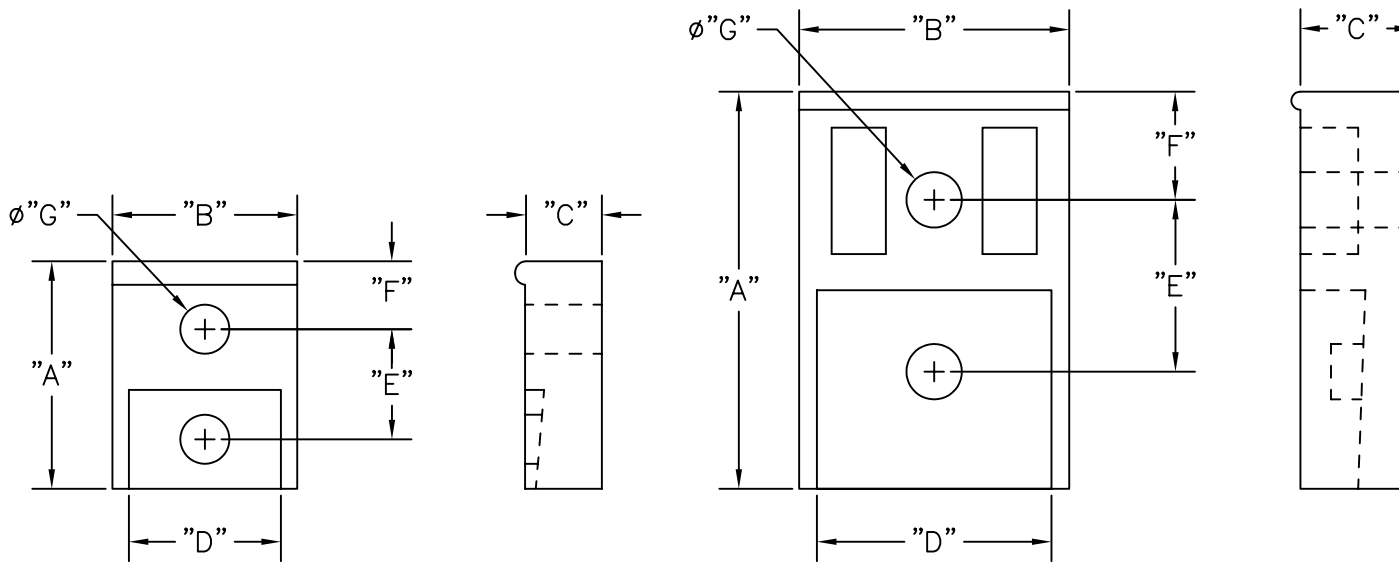


PART NO.	"A"	"B"	"C"	"D"	"E"	"F"	"G"	TRANSISTOR CASE STYLE	PACKAGE QUANTITY
HTRTC-1	.63 (16.0)	.51 (13.0)	.21 (5.4)	.42 (10.7)	.32 (8.0)	.19 (4.7)	.14 (3.5)	TO-220	1000
HTRTC-1A	.76 (19.3)	.51 (13.0)	.21 (5.4)	.42 (10.7)	.39 (10.0)	.24 (6.0)	.14 (3.6)	TO-220	
HTRTC-1C	.70 (17.8)	.51 (13.0)	.22 (5.5)	.42 (10.7)	.37 (9.3)	.19 (4.9)	.14 (3.5)	TO-220	
HTRTC-2	.75 (19.0)	.71 (18.0)	.24 (6.0)	.65 (16.4)	.41 (10.5)	.20 (5.0)	.14 (3.5)	TO-218	
HTRTC-3	1.10 (28.0)	.75 (19.0)	.32 (8.0)	.65 (16.5)	.50 (12.8)	.29 (7.4)	.15 (3.9)	TO-3P	200



ONLY FOR RTC-3

NOTES:

1. MATERIAL: FLAME RETARDANT P.B.T. (RMS-110)
2. COLOR: WHITE.

TITLE: HIGH TEMPERATURE RICHCO TRANSISTOR COVER			DWG IN IN (MM)		FINAL		
TOLERANCES UNLESS NOTED .XX=±.008(±0.2)			FILE # HTRTC	DWN: S.M.	APP:	PART # SEE TABLE	PRINT TYPE CA
C SEE ECN # 1106 SK 12.05.05			MAT'L: SEE NOTE	DT: 01/11/01	DT:		
B CHANGED PART NAME TO HTRTC SM 10.29.01			RE: RICHCO, INC.		RICHCO INC.		
A PACKAGE 1000 WAS 500 SM 04.03.01					PO BOX 804238, CHICAGO, 60680		
REV DESCRIPTION ENGR DATE					(773) 539-4060		