

**MICRO SWITCH**  
 FREEPORT ILLINOIS U.S.A.  
 A DIVISION OF HONEYWELL  
 FED. MFG. CODE 91929

**SWITCH-TOGGLE**

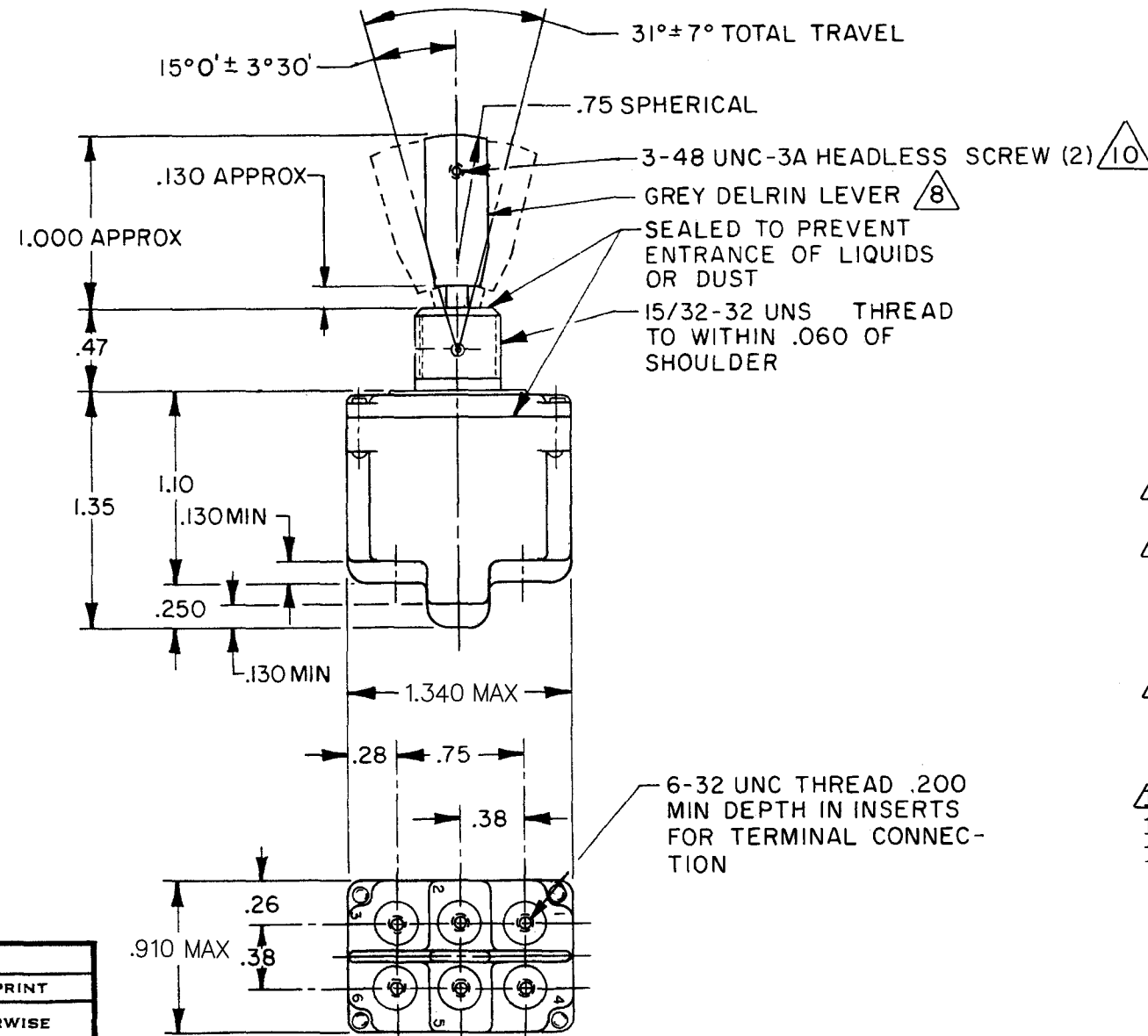
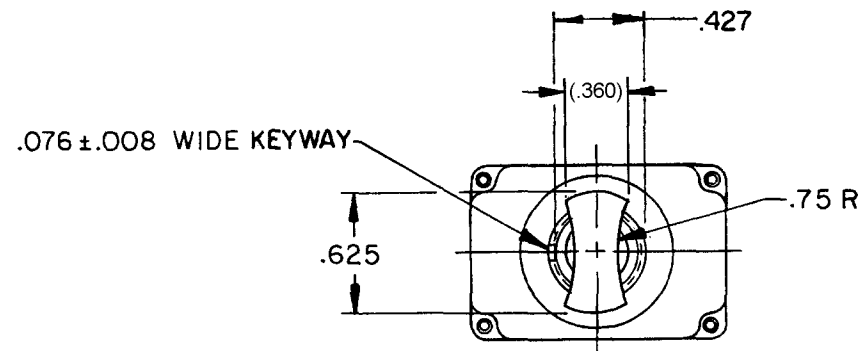
CATALOG LISTING  
**2TL28 SERIES**  
**CHART 1**

CATALOG LISTING

CIRCUIT MADE WITH TOGGLE LEVER IN		
KEYWAY SIDE (1-2,4-5)	CENTER (1-2,4-5)	OPPOSITE KEYWAY (2-3,5-6)
ON	OFF	ON
OFF	NONE	ON
ON	NONE	ON
NONE	OFF	ON
NONE	ON	ON
MOM OFF	NONE	ON
MOM ON	OFF	ON
MOM ON	NONE	OFF
MOM ON	OFF	MOM ON
MOM ON	NONE	ON
NONE	ON	MOM ON
MOM ON	OFF	NONE

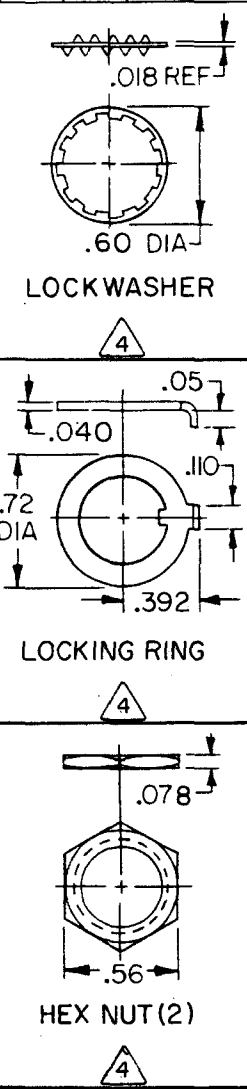
CURRENT CAPACITY (AMPS)							
RESISTIVE LOAD DC VOLTS			LAMP LOAD AC VOLTS			INDUCTIVE LOAD	
28	125	250	125	250	28 VDC	125 VAC	28 VDC
20	.75	.5	15	6	7	4	15

THIS DRAWING COVERS A PROPRIETARY ITEM AND IS THE PROPERTY OF MICRO SWITCH, A DIVISION OF HONEYWELL. THIS DRAWING IS NOT TO BE COPIED OR USED WITHOUT THE APPROVAL OF MICRO SWITCH.



**NOTES**

- SWITCHES ARE CAPABLE OF WITHSTANDING A TEMPERATURE OF 160°F CONTINUOUSLY AT FULL RATED LOAD
- CIRCUIT DESIGNATION, MICRO SWITCH CATALOG LISTING MARKED ON SIDES OF SWITCH
- FOR TERMINAL COVER SEE MICRO SWITCH CATALOG LISTING 5PA8
- FURNISHED UNASSEMBLED
- APPLIES ONLY TO "ON" AND "MOM ON" POSITIONS
- TOGGLE LEVER WILL WITHSTAND 20 LB LOAD APPLIED TO THE TIP COAXIALLY WITH THE LEVER AXIS TOWARD THE LEVER PIVOT THROUGH THE ENTIRE RANGE OF TRAVEL
- GRAY DELRIN LEVER ATTACHED TO MAIN TOGGLE LEVER BY 8-32 UNC THREAD AND HELD IN POSITION BY 3-48 UNC 3A HEADLESS SCREW (2)
- DELRIN LEVER IS REMOVABLE
- .050 HEXAGONAL SOCKET
- THIS SWITCH IS RESISTANT TO "JP" FUELS
- 6-32 UNC X .280 REF PAN HEAD TERMINAL SCREWS, SPRING LOCKWASHERS, AND WASHER (SEMS) FURNISHED UNASSEMBLED (6)



CATALOG LISTING  
**2TL28 SERIES**  
**CHART 1**  
 PAGE 1 OF 1  
 RELEASE NO. PR-11437  
 REPLACES  
 DRAWING NUMBER  
**M**  
 ISSUE 14  
 REVISIONS  
 A OBS 6030794  
 JK 6 JULY 72  
 B RE-INST PR 11437  
 TSK 29 JULY 82  
 C 58379-B  
 S.J.B. 9 SEPT 86  
 D 75838  
 J.D.B. 15 JULY 93  
 E C.O. 78047  
 S.A.D. 23 AUG 94  
 F C094438  
 G.J.W. 23 NOV 99  
 G 0003037  
 TSG 06 FEB 04  
 H 0010749  
 B.M. 15 FEB 05  
 DRAWN  
**FORMTEK**  
 FO-52851-A  
 TSK 29 JULY 82  
 CEB 4 AUG 82  
 CHECK  
 SCALE FULL  
 DO NOT SCALE PRINT  
 UNLESS OTHERWISE NOTED  
 DIMENSIONS ARE IN INCHES  
**TOLERANCES ARE:**  
 ONE PLACE (.01) H .030  
 TWO PLACE (.00) H .015  
 THREE PLACE (.000) H .005  
 ANGLES H .015  
 WEIGHT .12 LB APPROX  
 CODE L191 15A-125,250,277 VAC  
 1/2 HP-125 VAC, 1 HP-250,277 VAC  
 5A-125 VAC "L"   
 CODE L192 10A-125,250,277 VAC  
 1/4 HP-125 VAC, 1/2 HP-250,277 VAC  
 3A-125 VAC "L"