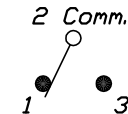
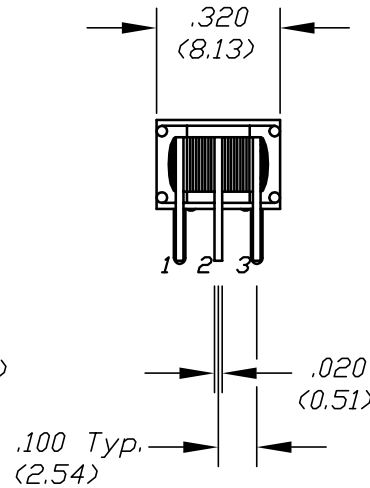
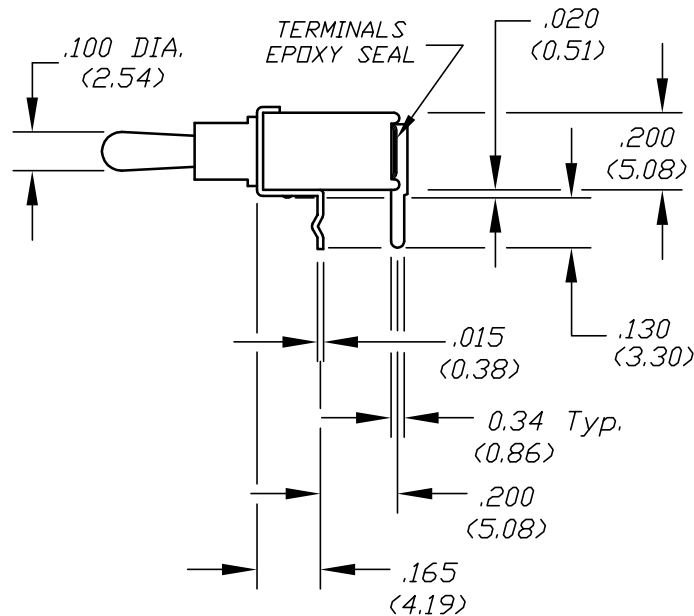
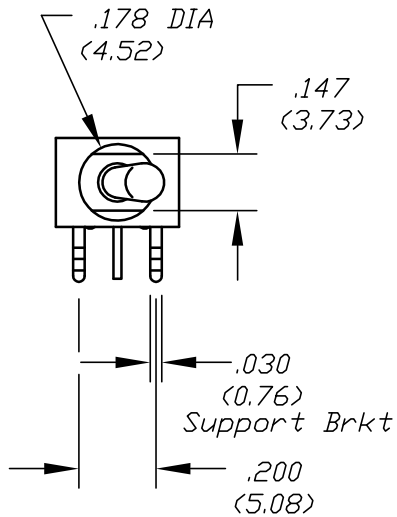


RECOMMEND P.C.B. LAYOUT



CIRCUIT: SPDT

CONTACT CONFIGURATION

SWITCH FUNCTION		
POS. 1	POS. 2	POS. 3
ON	NONE	ON
2-3	OPEN	2-1

NOTES:

1. ALL DIMENSIONS IN INCH (MM)
2. GENERAL TOLERANCE: 0.0=±0.4
0.00=±0.25
3. TERM. NOS. FOR REF. ONLY
4. TERM. NOS. FOR REF. ONLY
5. RATING: 0.4(VA) max. @20V max. (AC or DC)

E-SWITCH®

TITLE					200A WMSP-1 T2 A1 M61 R E				
SCALE	DATE	DR	DWG	REV					
2:1	8/3/99	MM	T201107	A					

A	10301	RELEASED FOR PRODUCTION		
REV.	ECN No.	DESCRIPTION	DATE	CHKD
THE INFORMATION CONTAINED IN THIS DOCUMENT IS PROPRIETARY TO E-SWITCH AND IS NOT TO BE COPIED OR TRANSFERRED				