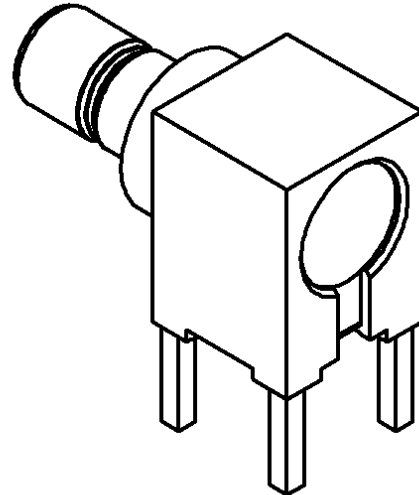
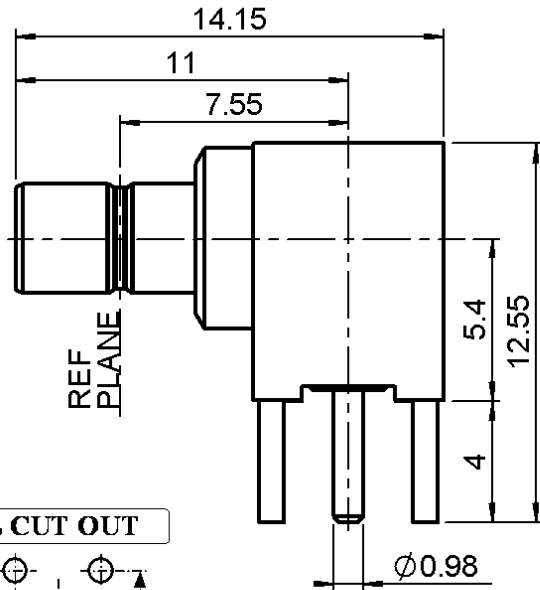
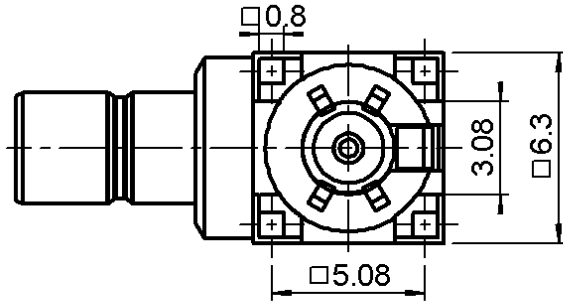


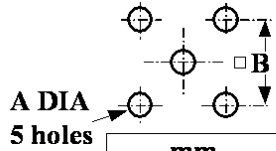
R/A JACK RECEPTACLE FOR PCB
SOLDER LEGS

R114.665.000

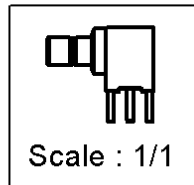
Series : SMB



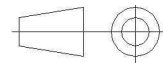
PANEL CUT OUT



	mm	
	Maxi	mini
A	1.4	1.3
B	5.13	5.03



All dimensions are in mm.



COMPONENTS	MATERIALS	PLATING (µm)
BODY	BRASS	GOLD 0.2 OVER NICKEL 2
CENTER CONTACT	BRASS	GOLD 1.3 OVER NICKEL2
OUTER CONTACT	-	-
INSULATOR	PTFE	-
GASKET	-	-
OTHERS PARTS	BRASS	GOLD 0.2 OVER NICKEL 2
-	-	-
-	-	-

Issue : 0706 C

In the effort to improve our products, we reserve the right to make changes judged to be necessary.



R/A JACK RECEPTACLE FOR PCB

R114.665.000

SOLDER LEGS

Series : **SMB**

PACKAGING

SPECIFICATION

Standard	Unit	Other
100	'W' option	Contact us

QAE 06-02 - -

ELECTRICAL CHARACTERISTICS

ENVIRONMENTAL

Impedance **50** Ω
 Frequency **0-4** GHz
 VSWR **1.20*** + **0,0000** x F(GHz) Maxi
 Insertion loss **0.25*** √F(GHz) dB Maxi
 RF leakage - (**57** - F(GHz)) dB Maxi
 Voltage rating **500** Veff Maxi
 Dielectric withstanding voltage **1000** Veff mini
 Insulation resistance **1000** MΩ mini

Operating temperature **-65/+165** ° C
 Hermetic seal **NA** Atm.cm3/s
 Panel leakage **NA**

OTHER CHARACTERISTICS

Assembly instruction **NA**

Others :
 * coaxial transmission line only

MECHANICAL CHARACTERISTICS

Center contact retention
 Axial force – Mating end **10** N mini
 Axial force – Opposite end **10** N mini
 Torque **NA** N.cm mini

Recommended torque
 Mating **NA** N.cm
 Panel nut **NA** N.cm

Mating life **500** Cycles mini
 Weight **2,8300** g

Issue : 0706 C

In the effort to improve our products, we reserve the right to make changes judged to be necessary.

