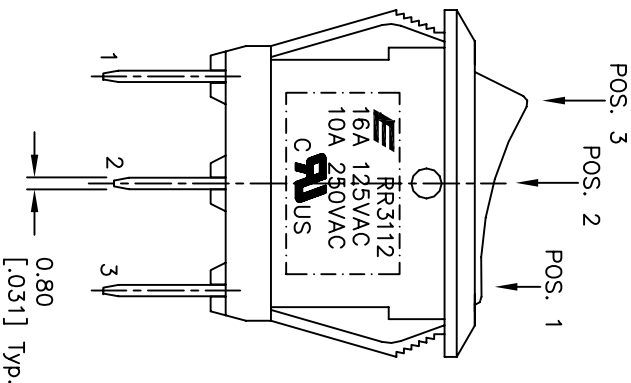
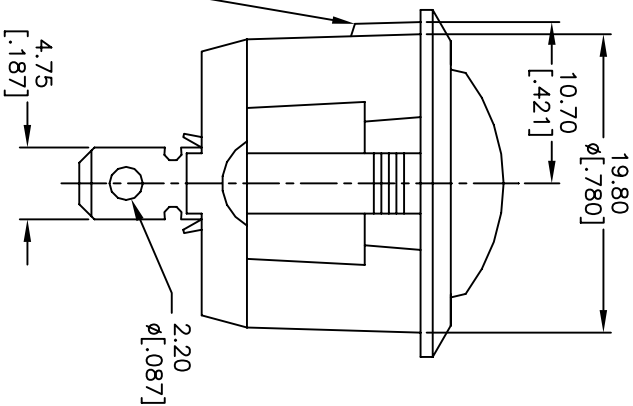
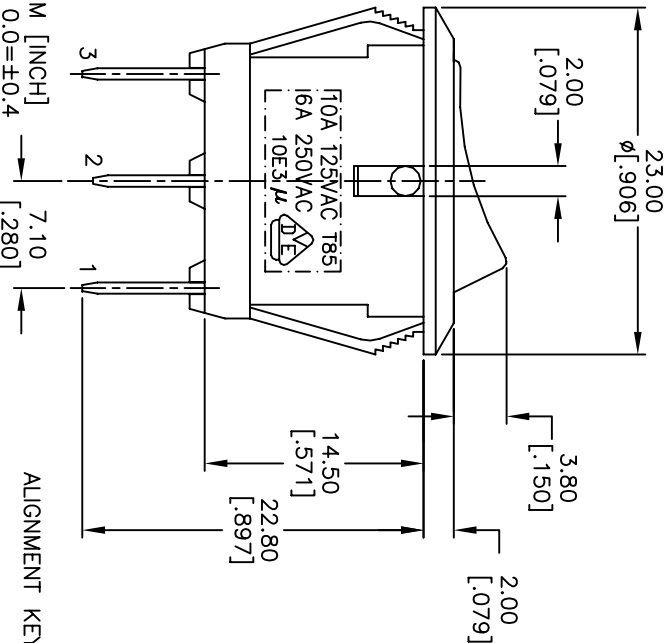
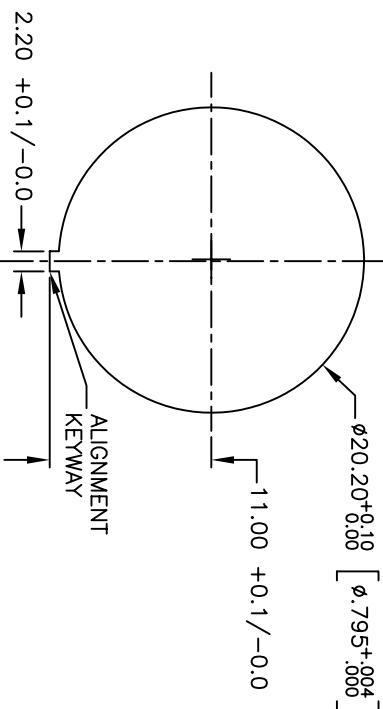


| POS. | 1 | 2 | 3 |
|-----------------------|-----|------|-----|
| SWITCH FUNCTION | ON | OFF | ON |
| CONTACT CONFIGURATION | 1-2 | OPEN | 2-3 |



- NOTES:
1. ALL DIMENSIONS IN MM [INCH]
 2. GENERAL TOLERANCE: 0.0 \pm 0.4
0.00 \pm 0.25
 3. TERM. NOS. FOR REF. ONLY
 4. RATING: 16A, 125VAC, 10A, 250VAC UL&CUL APPROVED
10A 125VAC, 6A 250V AC VDE APPROVED
 5. CONTACT RESISTANCE: 50m ohm max.
 6. INSULATION RESISTANCE: DC 500V 100M ohm min.
 7. DIELECTRIC STRENGTHS: AC 1500V 1 minute
 8. OPERATING TEMP.: 0°C to 85°C
 9. ▲ DENOTES CRITICAL PARAMETER.

| REV. | ECN No. | DESCRIPTION | DATE | CHKD |
|------|---------|----------------------------|---------|------|
| B | 16431 | 'A' MARKING TO 'B' MARKING | 9/5/06 | BD |
| A | 13919 | RELEASED FOR PRODUCTION | 4/15/04 | AR |

| TITLE | SCALE | DATE | DR | DWG | REV |
|-----------------|-------|---------|----|---------|-----|
| RR3112DBLKBKBF0 | 2:1 | 4/15/04 | AR | F130419 | B |



THE INFORMATION CONTAINED IN THIS DOCUMENT IS PROPRIETARY TO E-SWITCH AND IS NOT TO BE COPIED OR TRANSMITTED