



PARA LIGHT ELECTRONICS CO., LTD

Tel: 886-2-2225-3733

Fax: 886-2-2225-4800

Mail: para@para.com.tw

Website: http://www.para.com.tw

LED A22 E26 Light Bulb

Product Data Sheet

Model Number: E26F10WXX.G0-A22P

Rev.: A /0

Producer: Zhuang Wei

Auditing: *Steven*

◆ Product Features:

1. Die-casting heat-sink with superior heat dissipating capability enables longer product life.
2. No glare design.
- 3.Emits virtually no UV/IR light in the beam.
4. Be designed to replace a standard incandescent A22 lamp.
- 5..Using constant current driving circuit with power factor correction.
6. Using micro-chip shunt circuit driving technique to maximum efficiency.
7. Socket type: E26
8. Solid state lighting. Energy saving lighting product.
9. 25,000 hours rated average life.
10. Low radiated heat.
- 11.ROHS/PSE approved.

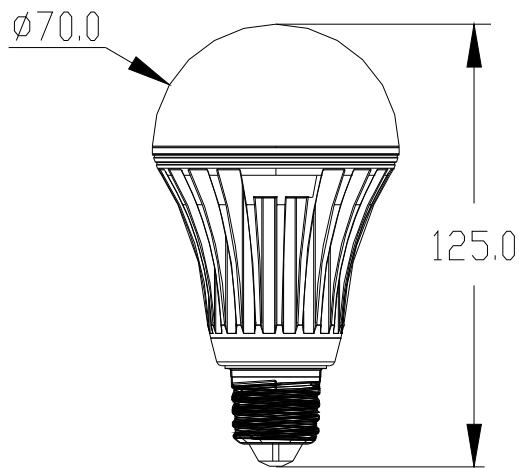
◆ Product Notice:

1. Not suitable for poorly ventilated light fixtures.
2. Not suitable for dimmer.
3. Don't touch the metal part at will, notice the high temperature while the power on.

◆ Photo:



◆ Dimension :



Unit: mm
Tolerance: $\pm 2\text{mm}$

◆ Electronic Characteristics :

Model Number	E26F10WXX.G0-A22P
Input Voltage Range	100V-240V
LED Tube Input Current	250mA
LED Type	3030
LED Quantity	12pcs
Power Consumption	10W±10%
Power Factor	0.5

◆ Mechanical Characteristic :

Model Number	E26F10WXX.G0-A22P
Heat-Sink Specification	Die-casting aluminum
Cover Material	Diffused Plastic
PCB Material	Aluminum Core PCB
Power supply	Internal
Socket Type	E26

◆ Optical Characteristic :

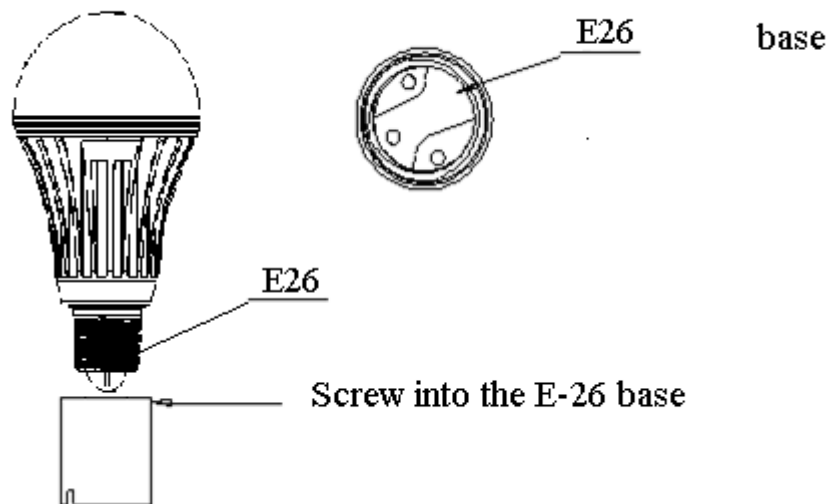
Part Number	E26F10WXX.G0-A22P		
Color Rendering Index	> 80		
Color Temperature(K)	CW	NW	WW
	6000±500	4500±500	3000±300
Luminous Flux (±10%lm)	800	800	720

◆ Operation Conditions:

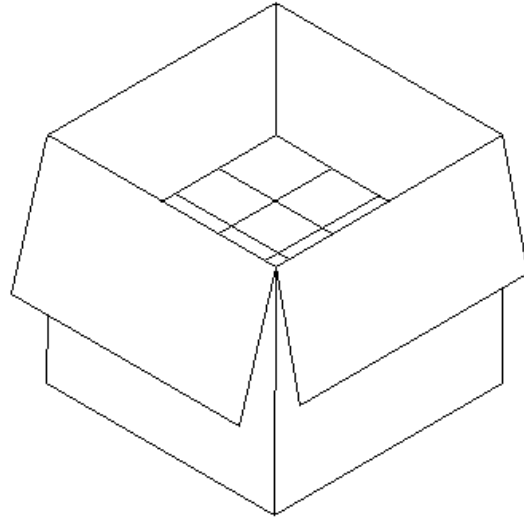
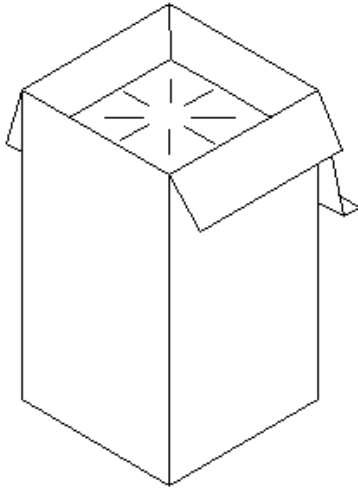
Operating Temp. Range	-20~40°C
Storage Temp .Range	-30~80°C

◆ Reliability Test:

Item	
High temperature high humidity test	Temperature: 50°C, humidity: 85%, AC220V 96 H
Aging test	Temperature: 40°C, AC220V 72H
On Off test	Temperature: 25°C, AC220V, turn on/off 1500 times
Life test	Temperature: 25°C, AC220V, 1000Hr

◆ Installation:

◆ Manner of packing:



inside carton size:80*80*140mm
outside carton size:410*325*290mm
1box:2level*20pcs=40pcs