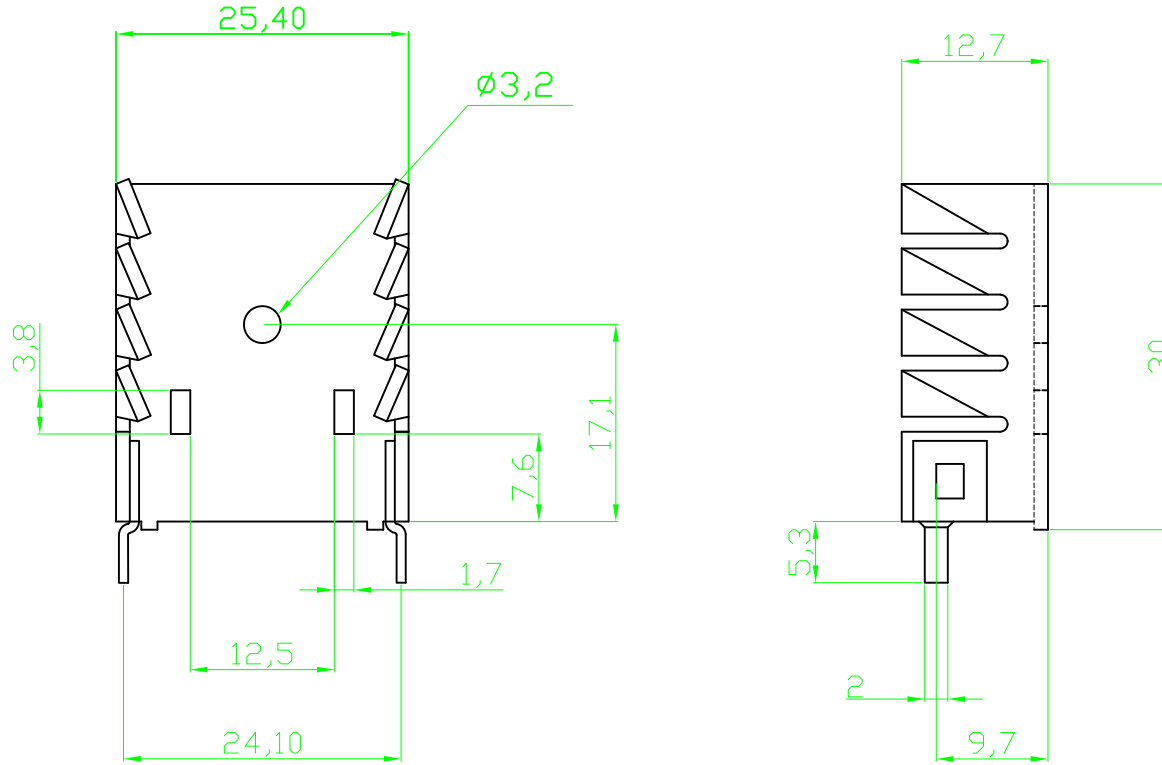


RoHS compliant



Notes
 Material : AL 1050 T=1.2MM
 Finished : Black Anodize

Scale	FREE						Date	Name	Customer-No.
TOLERANCE						Drawn	05.06.2003	Menk	
.X	$\pm X$					Approved	10.03.2010	Andy	
.XX	$\pm X$	③	Modify drawing layout	10.03.2010	Alex				ASSMANN WSW-No. V8502A
DIM	TOL	②	Update	11.08.2009	Dean		Drawing-No.		
X.°	$\pm X^\circ$	①	Drawn	05.06.2003	Menk		ASS 0537 HS	rev03	
X.X°	$\pm X^\circ$	①	Drawn	05.06.2003	Menk		Replace	Sheet	
Angle	TOL	Id.	Modification	Date	Name				

1

2

3

4

5

6

7