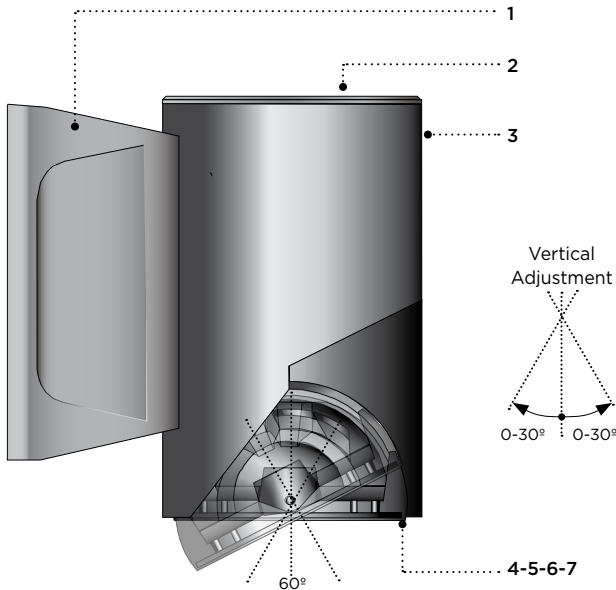


TYPE: _____ QUANTITY: _____ PROJECT: _____

CATALOG NUMBER:

FIXTURE WATTAGE VOLTAGE FINISH OPTION OPTION OPTION OPTION

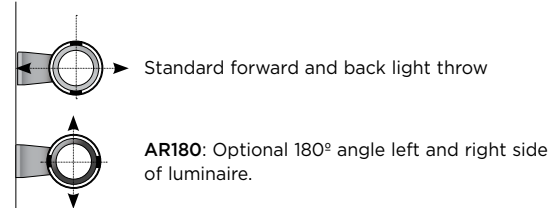


- 1- Cast aluminum driver housing. Includes galvanized steel wall mount pressure plate.
- 2- Cast aluminum ventilated top cover.
- 3- Seamless extruded aluminum cylindrical housing.
- 4- Fully sealed cast aluminum light assembly.
- 5- Sealed cast aluminum lens frame.
- 6- Clear tempered glass lens.
- 7- Faceted specular aluminum reflector.



All stainless steel hardware.

Syrios LED light module is designed with a tilting mechanism allowing forward and back light adjustability. The $\pm 30^\circ$ directional module allows to aim the light beam in the desired direction, without disturbing the luminaire mounting. The module can be secured using the built in locking mechanism.



Other adjustment factory set positions are available. Please consult factory.

MATERIALS

Syrios LED is made of corrosion resistant 356 aluminum alloy with a copper (CU) content of less than 0.1%.

The main housing is made of seamless extruded aluminum, with an integrally sealed LED light module designed for optimal heat dissipation, and lighting performance.

Syrios LED is standard with a unique proprietary design allowing the sealed LED module to tilt within the cylindrical housing.

The top cast aluminum cover includes ventilation slots allowing air circulation and cooling of assembly.

Syrios LED SY800 series is standard with 29° optic. See options section for alternate selection.

ELECTRICAL

DRIVER Standard 0-10V dimmable LED driver is 120/277V multi volt (50-60HZ) with operating temperatures of $-30^\circ\text{C}/-22^\circ\text{F}$ to $60^\circ\text{C}/140^\circ\text{F}$. Output over voltage. Output over current and output short circuit protection with auto-recovery.

LED Standard 4000K LED platform included. Optional 3000K, 3500K and 5000K. Removable modular LED platform.

LIFE

54,000hrs $L_{70}B_{30}$ (based on IESNA TM-21 Test Method and LM-80 data).
72,000hrs $L_{70}B_{30}$ (calculated projection from LM-80 data).

FINISH

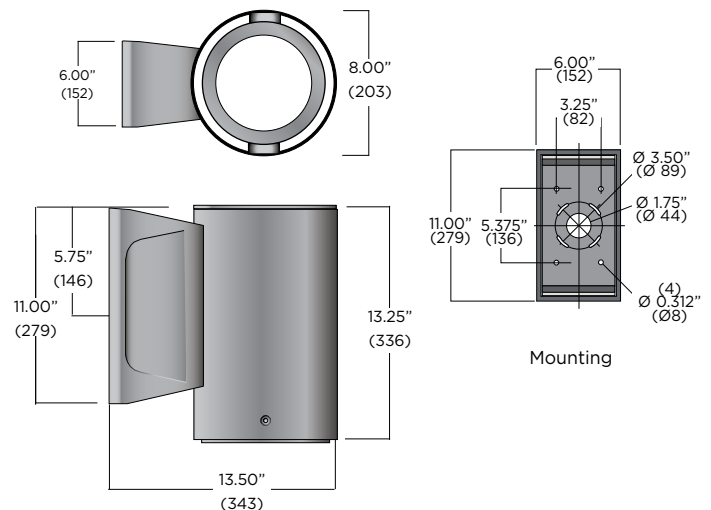
Five-stage preparation process including preheating of cast aluminum parts for air extraction, and an environmentally friendly alloy sealant. Polyester powder coating is applied through an electrostatic process and oven cured for long term finish.

MOUNTING

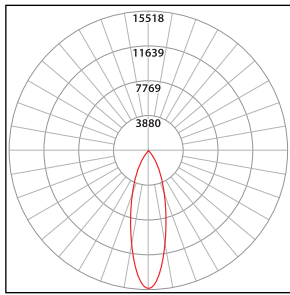
The mounting plate is designed to fit on a 4" (102) octagonal electrical box using 3 1/2" (89) C/C mounting holes. Additional mounting holes are provided as per site requirements.

CERTIFICATION

Tested to UL1598 and CSA 22.2 #250. ETL listed wet location. Rated IP66. CE Certification on request.



TYPICAL PHOTOMETRY SUMMARY



Descriptive Information

SY800-L1W55r0
 Total Lms: 5614 Lumens
 Total Input Watts: 57.4 W
 Source: LED
 Efficacy: 97.8 Lumens/Watt
 BUG: B3-U0-G0
 CCT/CRI: 4000K/80
 Maximum Candela: 15518 @ 0 deg

Please visit our web site www.luminis.com for complete I.E.S. formatted download data.

LUMINAIRE SELECTION

MODEL#	LED LIGHT SELECTION	VOLTAGE	FINISH																
 <input type="checkbox"/> SY800	<table border="1"> <thead> <tr> <th>SUFFIX</th> <th>INPUT WATTS</th> <th>DELIVERED LUMENS</th> <th>CRI</th> <th>CCT °K</th> </tr> </thead> <tbody> <tr> <td><input type="checkbox"/> L1W18r1</td> <td>18W</td> <td>1678</td> <td rowspan="3">80</td> <td rowspan="3">4000K</td> </tr> <tr> <td><input type="checkbox"/> L1W30r1</td> <td>29W</td> <td>2668</td> </tr> <tr> <td><input type="checkbox"/> L1W55r0</td> <td>57W</td> <td>5614</td> </tr> </tbody> </table>	SUFFIX	INPUT WATTS	DELIVERED LUMENS	CRI	CCT °K	<input type="checkbox"/> L1W18r1	18W	1678	80	4000K	<input type="checkbox"/> L1W30r1	29W	2668	<input type="checkbox"/> L1W55r0	57W	5614	<input type="checkbox"/> 120V <input type="checkbox"/> 277V Optional <input type="checkbox"/> 347V	STANDARD COLORS <input type="checkbox"/> WHT Snow white <input type="checkbox"/> BKT Jet black <input type="checkbox"/> BZT Bronze <input type="checkbox"/> MST Matte silver <input type="checkbox"/> GRT Titanium gray <input type="checkbox"/> DGT Gun metal <input type="checkbox"/> CHT Champagne (Refer to color chart) OPTIONAL COLORS <input type="checkbox"/> CS Custom color <input type="checkbox"/> RAL RAL# color
	SUFFIX	INPUT WATTS	DELIVERED LUMENS	CRI	CCT °K														
	<input type="checkbox"/> L1W18r1	18W	1678	80	4000K														
	<input type="checkbox"/> L1W30r1	29W	2668																
<input type="checkbox"/> L1W55r0	57W	5614																	

OPTIONS

ELECTRICAL

- FS** Fuse
- PH** Photocell
- 347L** Step down transformer for 347V input
- MS** PIR motion sensor (Device is located at bottom of luminaire wall box)

MOUNTING

- SWK** Adaptor box for surface 3/4" conduit feed (4 sides plus back entry)

COLOR FILTER

- R8** Red color filter
- G8** Green color filter
- B8** Blue color filter

LIGHT & OPTICS

- Alternate CCT °K LED (LCF: Lumen conversion factor)
- K3** 3000K CCT 90 CRI (LCF: 0.78)
 - K35** 3500K CCT 80 CRI (LCF: 0.983)
 - K5** 5000K CCT 80 CRI (LCF: 1.01)
 - RGBW** RGBW color changing with DMX512 ready

Alternate reflector optics (29° Standard reflector)

- R45** 45° flood optic
- R60** 60° wide flood optic
- LSL** Linear spread lens (Asymmetric lens distribution is achieved when light module is tilted)
- AR180** Light module with side to side adjustment
- RG** Regressed light module for increased cut-off

