

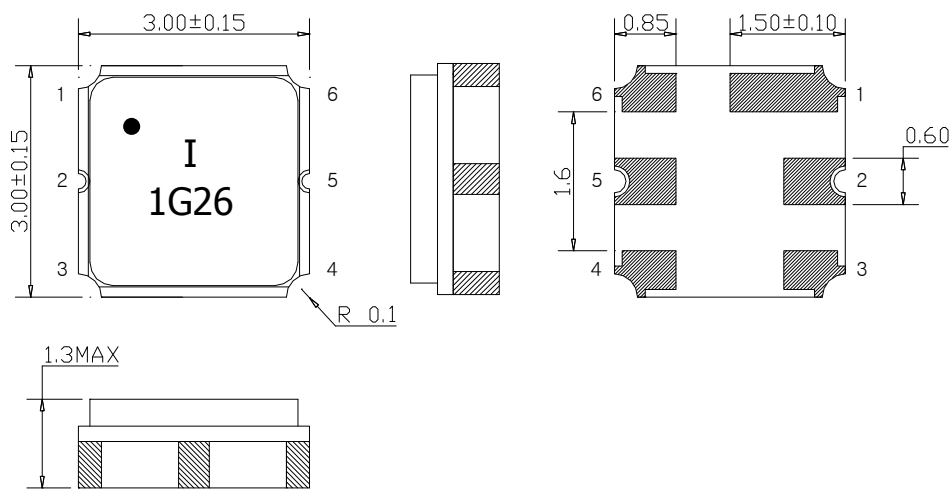
SAW Bandpass Filter F1G26



Features

- RF Bandpass Filter
- No impedance matching require for operation at 50 Ω
- Ceramic Surface Mounted Device Package (3.0 mm * 3.0 mm)
- Single-ended Operation
- RoHS Compliant

Package Dimensions



Dimensions shown are nominal in millimeters

Body : Al₂O₃ Ceramic

Lid : Kovar, Ni Plated

Terminations : Au plating 0.3 ~ 1.0 um, Over a 1.27 ~ 8.89 um
Ni Plating

Pin Configurations

2	Input
5	Output
1, 3, 4, 6	Case ground

Maximum Ratings

Parameters	Unit	Minimum	Typical	Maximum
Operating Temperature Range	℃	-40	25	85
Storage Temperature Range	℃	-45	25	85
Power Handling Capability	dBm	-	-	15

Electrostatics Sensitive Device (ESD)

	ITF Co., Ltd. 102-901, Bucheon Technopark 364, Samjeong-Dong, Ojeong-Gu, Bucheon-City, Gyeonggi-Do, Korea 421-809	Part No.	F1G26	
		Rev. Date	2013-05-20	
		Rev.	NW0E02-AS01	1/7

SAW Bandpass Filter F1G26




Specifications

Fc = 1258 MHz

	Minimum	Typical	Maximum	Unit
Center Frequency (Fc)	-	1258	-	MHz
Insertion Loss (1248 ~ 1268 MHz)	-	2.4	3.5	dB
Amplitude Ripple (1248 ~ 1268 MHz)	-	0.4	1.0	dB p-p
Absolute Group Delay (1248 ~ 1268 MHz)	-	6	30	ns
Attenuation				
0.3 ~ 960 MHz	45	50	-	dB
1050 ~ 1120 MHz	40	46	-	
1390 ~ 1400 MHz	40	47	-	
1700 ~ 2500 MHz	30	39	-	
2500 ~ 3000 MHz	20	29	-	
Input/Output Impedance		50		Ohms

Notes :

- 1) All specifications are based on the matching schematic shown below, measured by Agilent Network analyzer and full 2 port calibration.
- 2) Electrical margin has been built into the design to account for the variations due to temperature drift and manufacturing tolerances
- 3) All attenuation measurements are measured relative to insertion loss

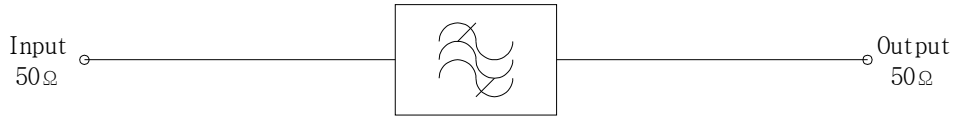
 Integrated Technology Future	ITF Co., Ltd. 102-901, Bucheon Technopark 364, Samjeong-Dong, Ojeong-Gu, Bucheon-City, Gyeonggi-Do, Korea 421-809	Part No.	F1G26	
		Rev. Date	2013-05-20	
		Rev.	NW0E02-AS01	2/7

SAW Bandpass Filter F1G26



Matching Schematic

(Actual matching values may vary due to PCB layout and parasitics)



Marking Configuration


- 1)
●
- I²⁾
- 1G26³⁾

1) Pad Number 1 Index

2) Manufacturer name

3) Marking Number

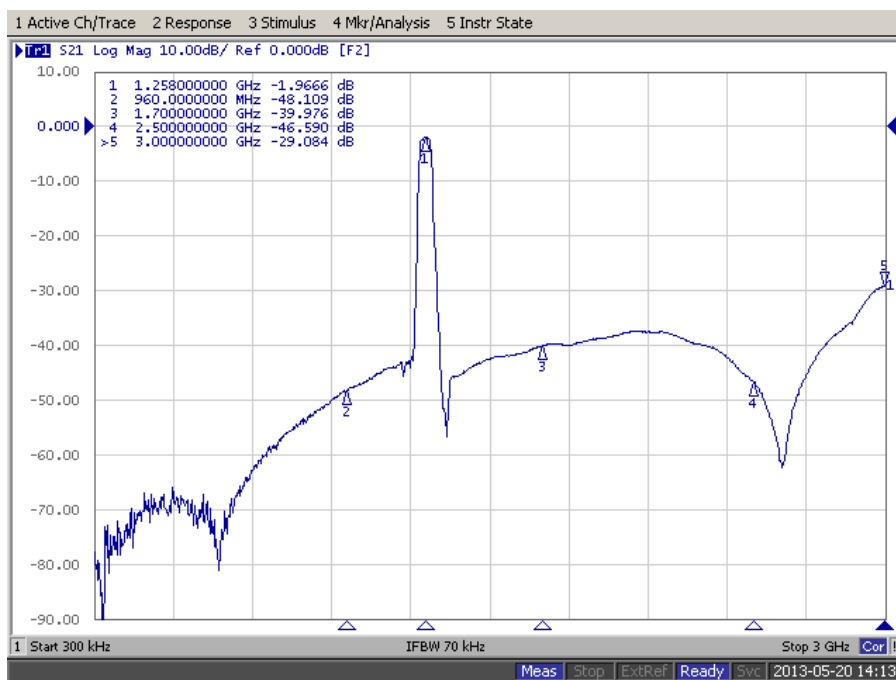
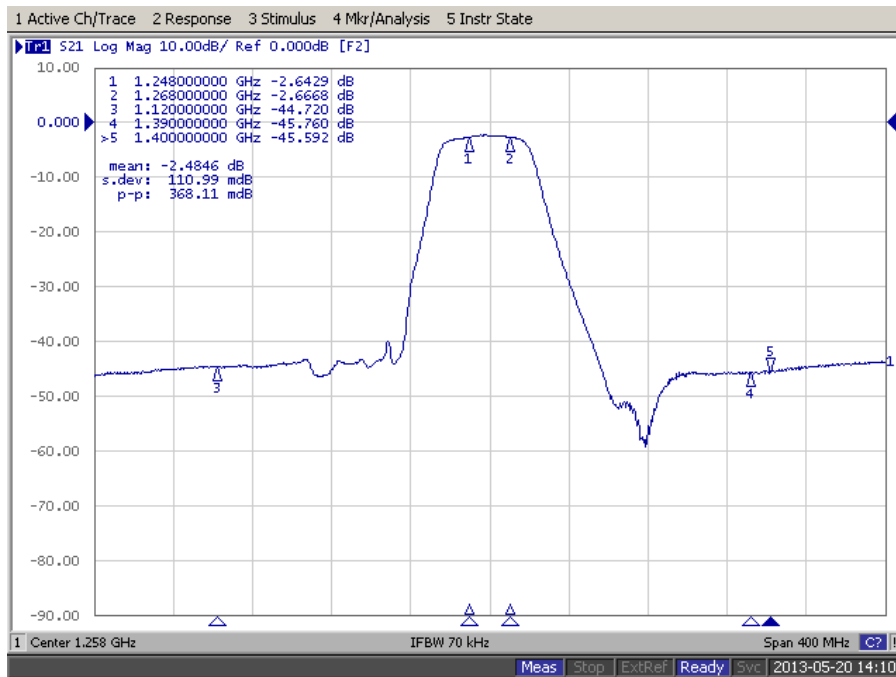
* Ink or Laser Marking available

 Integrated Technology Future	ITF Co., Ltd. 102-901, Bucheon Technopark 364, Samjeong-Dong, Ojeong-Gu, Bucheon-City, Gyeonggi-Do, Korea 421-809	Part No.	F1G26	
		Rev. Date	2013-05-20	
		Rev.	NW0E02-AS01	3/7

SAW Bandpass Filter F1G26



Typical Performance (at 25°C)



ITF Co., Ltd.
102-901, Bucheon Technopark 364,
Samjeong-Dong, Ojeong-Gu, Bucheon-City,
Gyeonggi-Do, Korea 421-809

Part No.

F1G26

Rev. Date

2013-05-20

Rev.

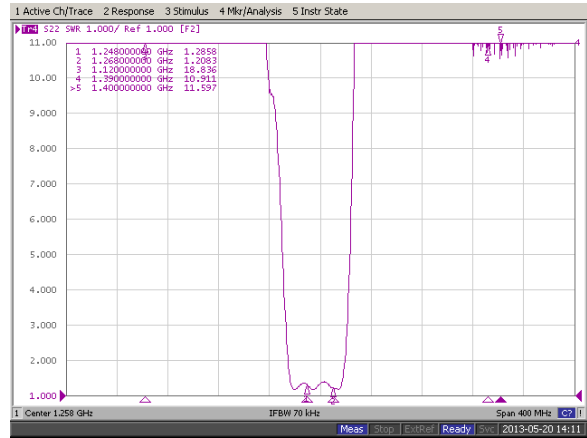
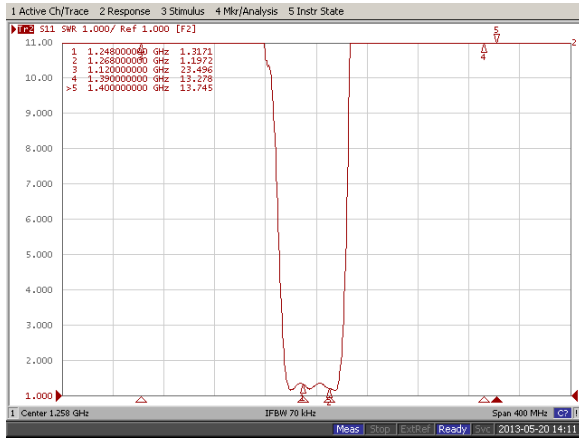
NW0E02-AS01

4/7

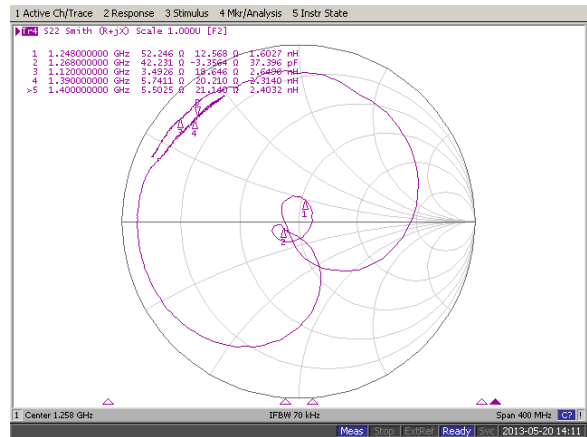
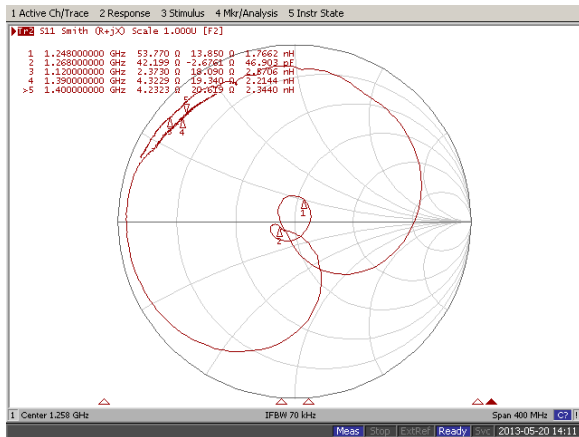
SAW Bandpass Filter F1G26




Input / Output VSWR Charts



Input / Output Smith Charts



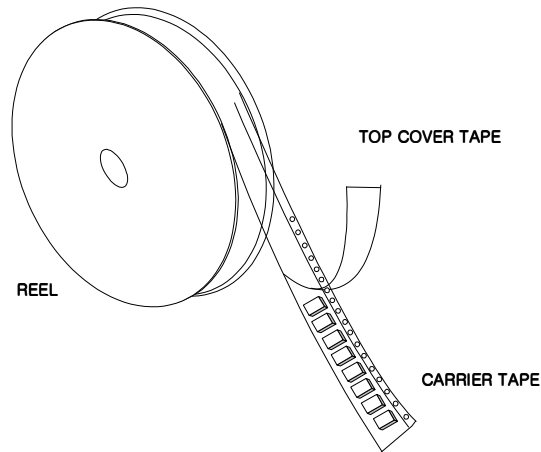
	ITF Co., Ltd. 102-901, Bucheon Technopark 364, Samjeong-Dong, Ojeong-Gu, Bucheon-City, Gyeonggi-Do, Korea 421-809	Part No.	F1G26	
		Rev. Date	2013-05-20	
		Rev.	NW0E02-AS01	5/7

SAW Bandpass Filter F1G26



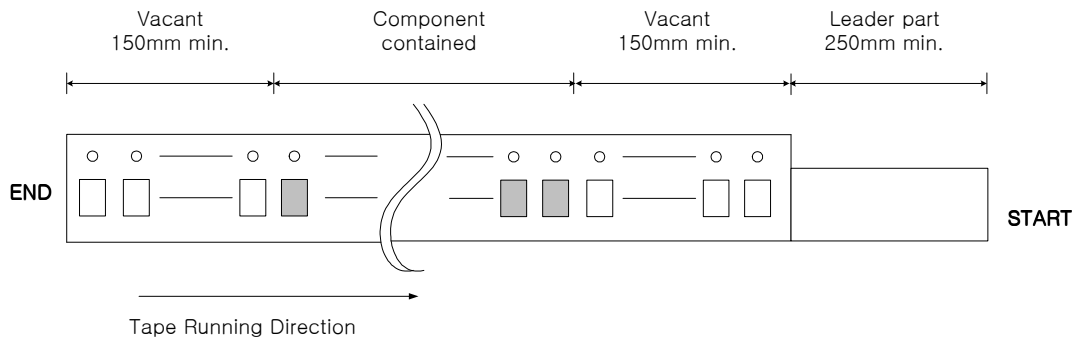
Packing Specifications

1. Reeling Quantity : 3000 pcs / 13" reel (or 1000 pcs / 7" reel)
2. Taping Structure : The tape shall be wound around the reel in the direction shown below.



Tape Specification

1. Leader part and vacant position specification

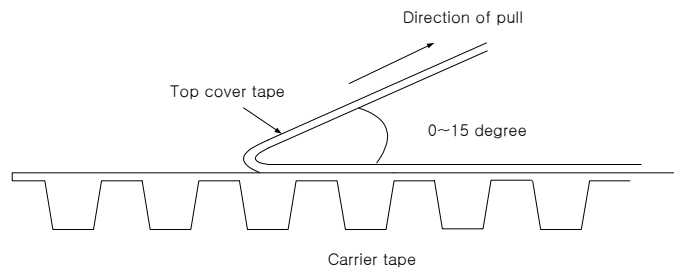


2. Tensile strength of carrier tape

4.4N/mm width

3. Top cover tape adhesion

- 1) pull off angle : 0~15°
- 2) speed : 300mm/min
- 3) force : 20~70g

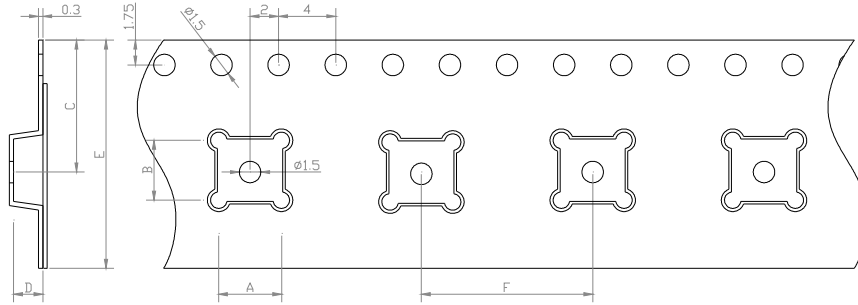


	ITF Co., Ltd. 102-901, Bucheon Technopark 364, Samjeong-Dong, Ojeong-Gu, Bucheon-City, Gyeonggi-Do, Korea 421-809	Part No.	F1G26	
		Rev. Date	2013-05-20	
		Rev.	NW0E02-AS01	6/7

SAW Bandpass Filter F1G26

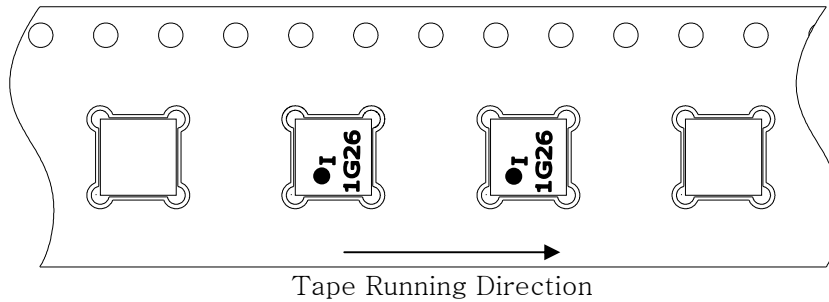


Carrier Tape Dimensions [unit : mm]

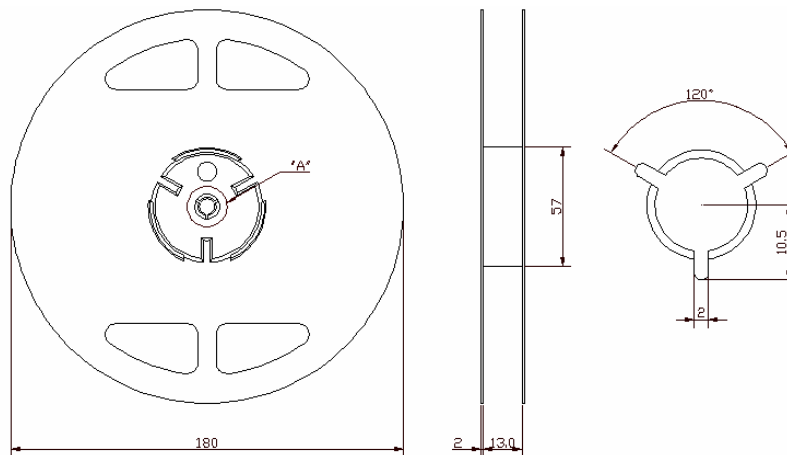



A	3.40 ± 0.1
B	3.40 ± 0.1
C	7.25 ± 0.1
D	1.70 ± 0.1
E	12.00 ± 0.1
F	8.00 ± 0.1

Part Direction



Reel Dimensions [unit : mm]



	ITF Co., Ltd. 102-901, Bucheon Technopark 364, Samjeong-Dong, Ojeong-Gu, Bucheon-City, Gyeonggi-Do, Korea 421-809	Part No.	F1G26	
		Rev. Date	2013-05-20	
		Rev.	NW0E02-AS01	7/7