



TAI-SAW TECHNOLOGY CO., LTD.

No. 3, Industrial 2nd Rd., Ping-Chen Industrial District,
Taoyuan, 324, Taiwan, R.O.C.

TEL: 886-3-4690038 FAX: 886-3-4697532

E-mail: tstsales@mail.taisaw.com Web: www.taisaw.com

Product Specifications Approval Sheet

Product Name: SAW Filter 627MHz SMD 3.8×3.8mm (BW=24MHz)

TST Parts No.:TA1357A

Customer Parts No.: _____

Customer signature required
Company: _____
Division: _____
Approved by : _____
Date: _____

Checked by: Kevin 

Approval by: Francis Chen 

Date: 2011/07/18

1. Customer signed back is required before TST can proceed with sample build and receive orders.
2. Orders received without customer signed back will be regarded as agreement on the specifications.
3. Any specifications changes must be approved upon by both parties and a new revision of specifications shall be released to reflect the changes.



TAI-SAW TECHNOLOGY CO., LTD.

No. 3, Industrial 2nd Rd., Ping-Chen Industrial District,
Taoyuan, 324, Taiwan, R.O.C.

TEL: 886-3-4690038 FAX: 886-3-4697532

E-mail: tstsales@mail.taisaw.com Web: www.taisaw.com

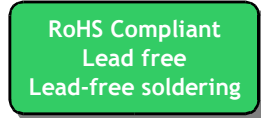
SAW Filter 627 MHz

MODEL NO.: TA1357A

REV. NO.: 1

A. MAXIMUM RATING:

1. Input Power Level: 10 dB_m
2. DC voltage: 5 V
3. Operating Temperature: -30°C to 60°C
4. Storage Temperature: -40°C to +85°C



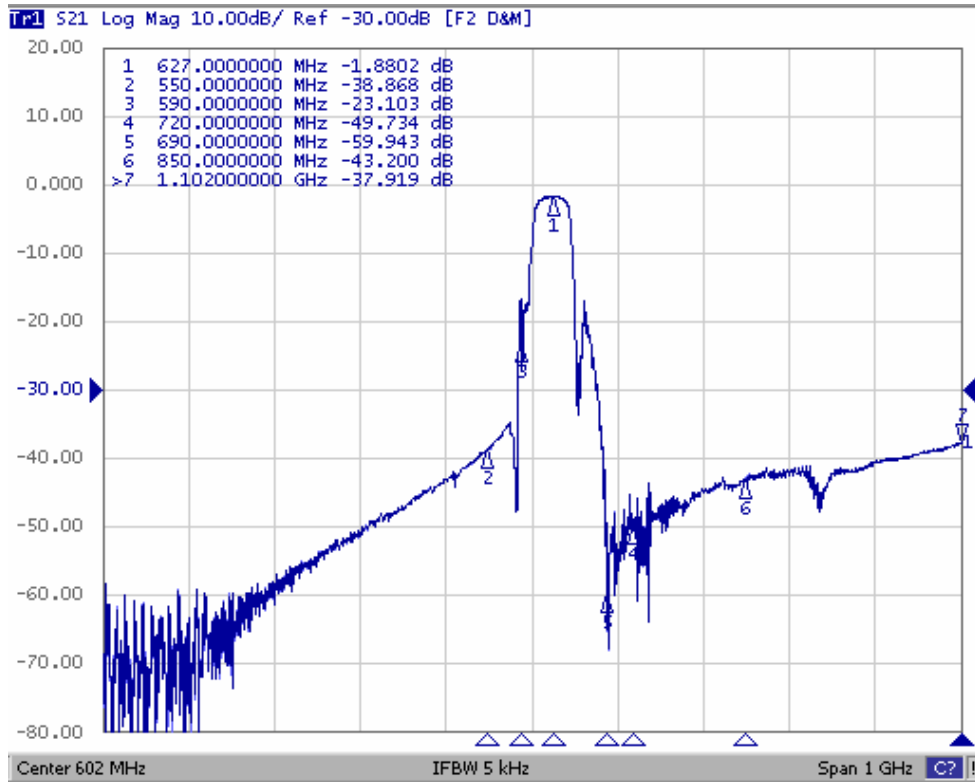
Electrostatic Sensitive Device (ESD)

B. CHARACTERISTICS:

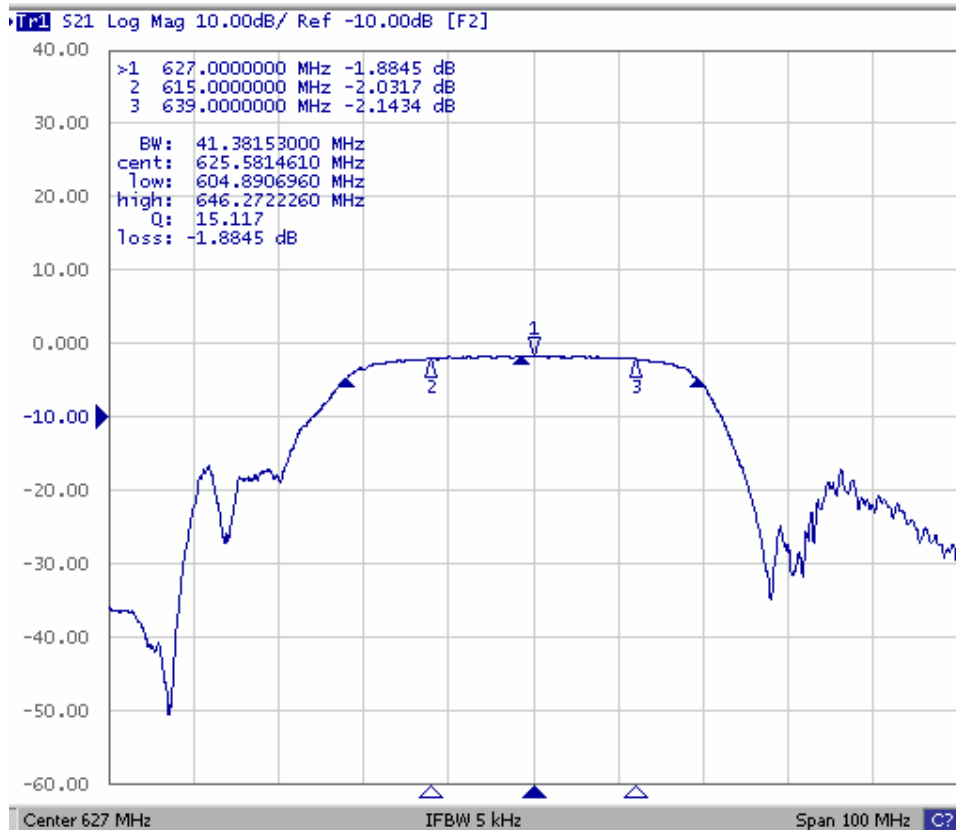
Item	Unit	Min.	Typ.	Max.
Center frequency, Fc	MHz	-	627	-
Amplitude ripple (615 ~ 639 MHz)	dB	-	0.8	1.7
Insertion loss, IL (615 ~ 639 MHz)	dB	-	2.2	3.0
Group Delay, GD (615 ~ 639 MHz)	ns	-	38	200
Bandwidth @ -3 dB		24	41.3	-
Attenuation (reference from 0dB)				
0.3 ~ 550 MHz	dB	33	38	-
550 ~ 590 MHz	dB	10	23	-
660 ~ 720 MHz	dB	10	25	-
720 ~ 850 MHz	dB	38	43	-
850 ~ 1102 MHz	dB	32	37	-
Source impedance, Z _S	Ω	-	50	-
Load impedance, Z _L	Ω	-	50	-

Note1. No matching network required for operation at 50Ω

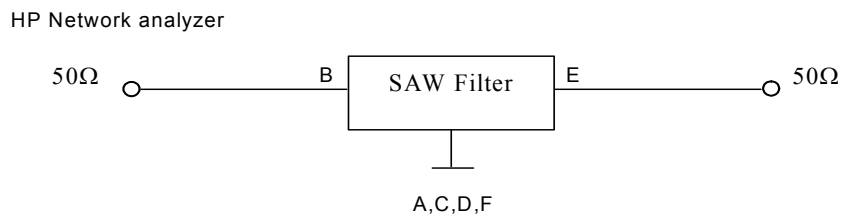
C. Transfer Function : Wideband



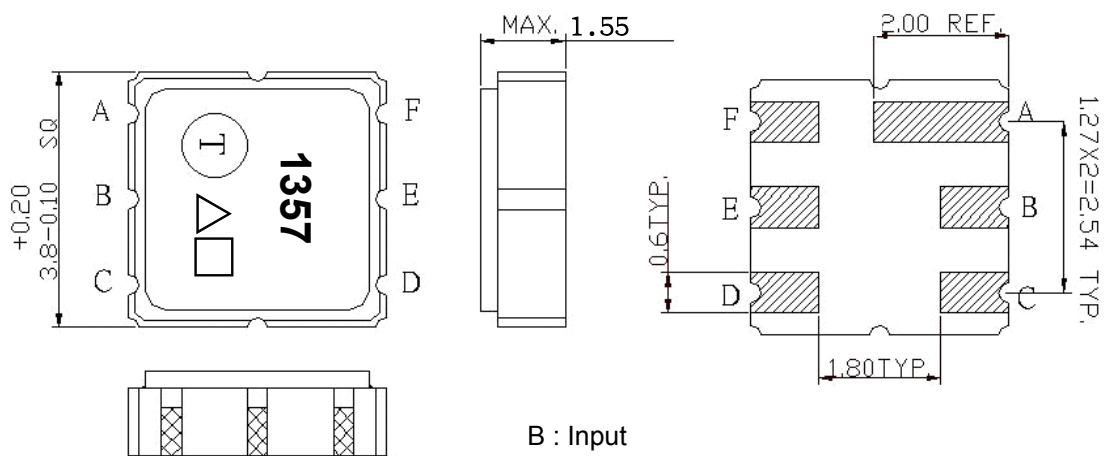
Passband



D. MEASUREMENT CIRCUIT:



E. OUTLINE DRAWING:



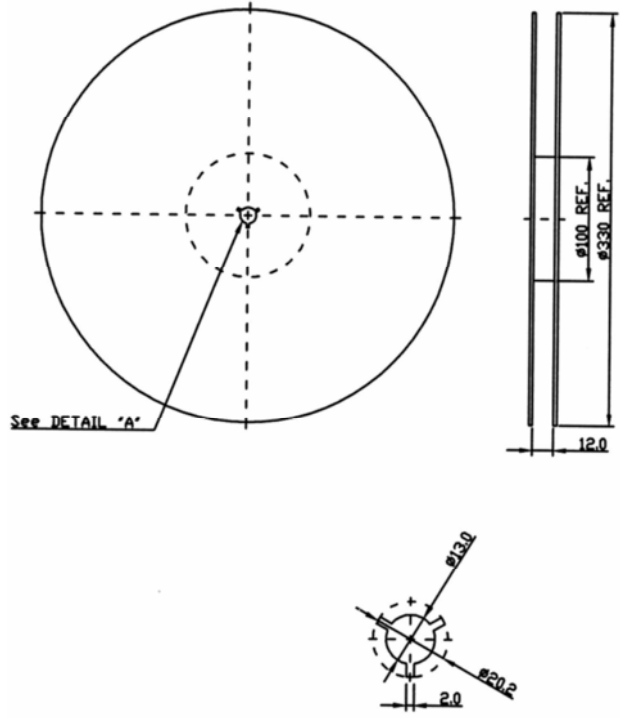
B : Input
 E : Output
 A,C,D,F Ground
 △ : Year Code
 □ : Date Code (Follow the table provided by planner each year.)
 Unit: mm

△ Product Year Code

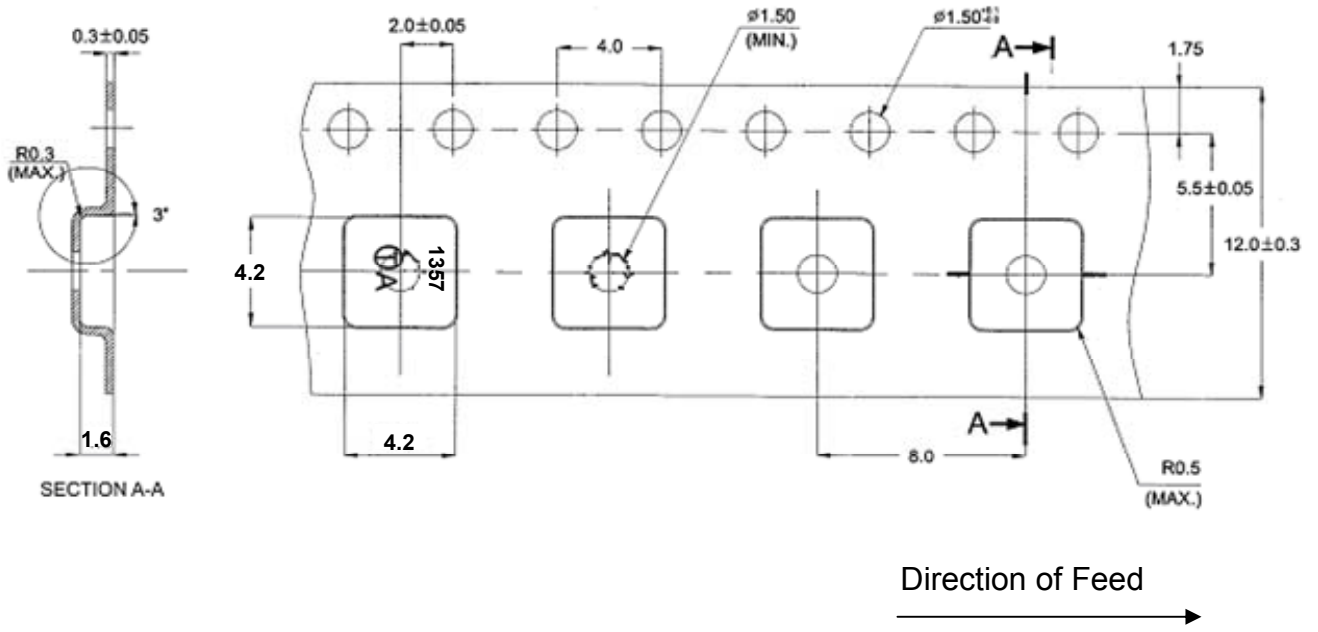
Year	2011	2012
	2013	2014
	2015	2016
Product Code	A	a

F. PACKING:

1. REEL DIMENSION



2. TAPE DIMENSION



H. RECOMMENDED REFLOW PROFILE :

