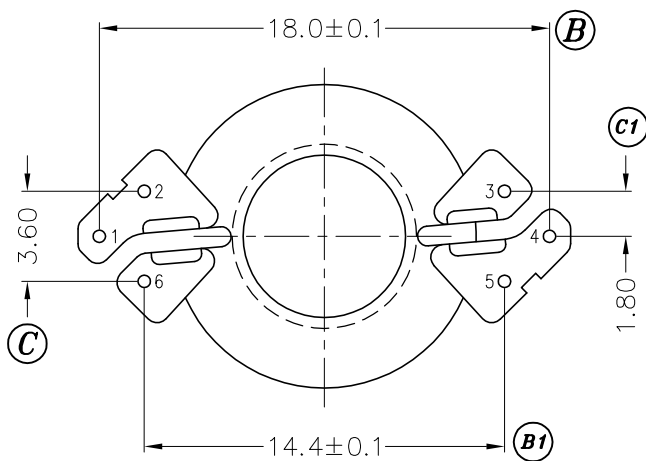
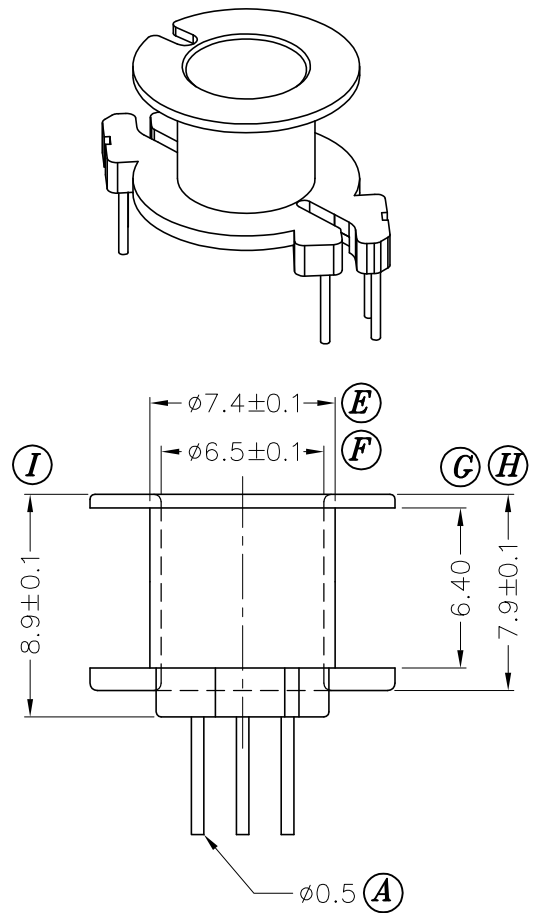
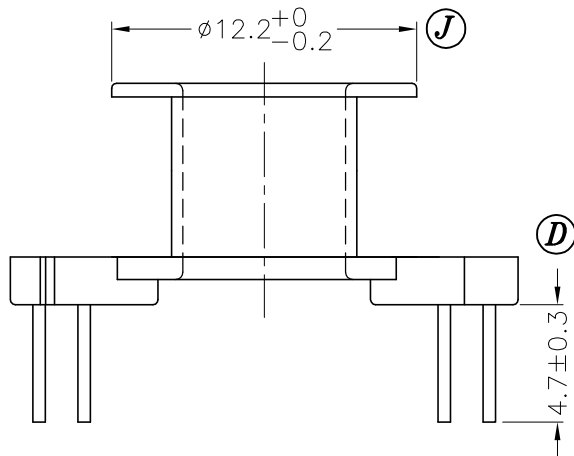
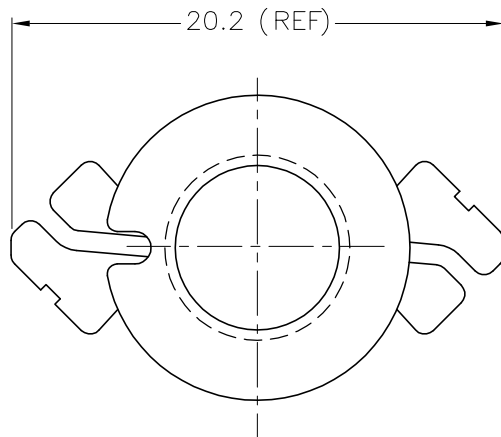


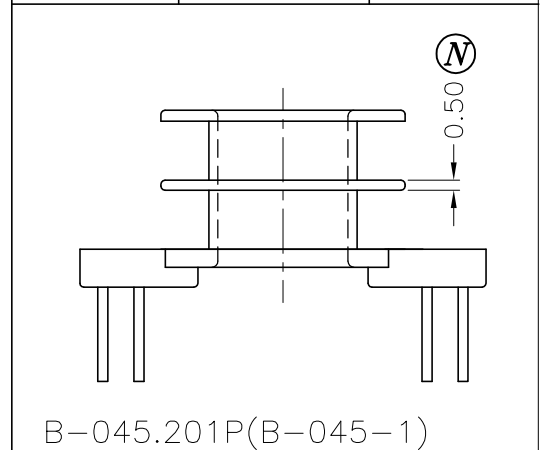
FERYSTER Inductive Components

ul. Traugutta 4 , 68-120 Iłowa Poland

http://www.feryster.com.pl e-mail: info@feryster.com.pl



DRAWING NO.	MATERIAL:	ORIGIN
P-604-1	PM9630	DG SZ



B-045.201P(B-045-1)

DOSTAWCA:	TOLERANCES		ANGLE:	TITLE:		
	$0 < L \leq 4 \pm 0.1$	pin pitch	$\pm 1^\circ$	RM6-K-6P-DS		
FERYSTER Inductive Components Tel: +48 68 360 00 76 fax: +48 68 360 00 70	$4 < L \leq 16 \pm 0.2$	± 0.2	UNIT:	BOBBIN MATERIAL:	UL REC.	
	$16 < L \leq 63 \pm 0.3$	± 0.3	MM	PHENOLIC PM9630	UL 94V-0	
	ORIGIN:	DG SZ	PIN MATERIAL:	CP WIRE	PIN TENSION LOAD:	
					0.7KG MIN.	
			DATE:	DRAWING NO.	REV.	
			MAR.27 '2003	P-604	2	