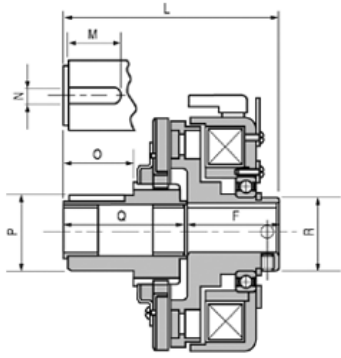


CT

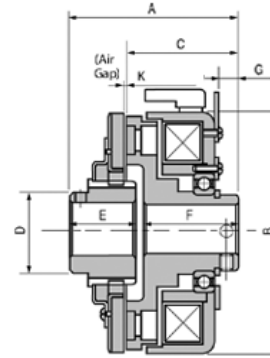
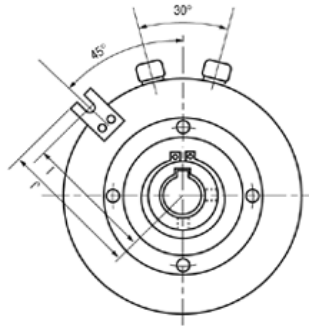
Self-Adjusting EM Clutch

Types: 20, 50

[EM: Electromagnet]



Extended Hub (model 20 only)



Standard Hub

| CT | | 20 | 50 |
|-------------------------------------|------------------|---|---------------------------------------|
| Rated Torque [ft-lbs / N-m] | | 20 / 27.1 | 50 / 67.8 |
| Coil (20°C) | Voltage [DC-V] | 90 ¹ , 28, 24 ¹ , 6 | 90 ¹ , 24 ¹ , 6 |
| | Resistance [Ω] | 1087, 105, 74, 4.8 | 237, 16, 1.1 |
| Max Allowable Speed [rpm] | | 4500 | 4000 |
| Standard Bore Options [in] | Bore | 1/2 | 1-1/8 |
| | Key Way | 1/8 x 1/16 | 1/4 x 1/2 |
| | Bore | 5/8 | 1-1/4 |
| | Key Way | 3/16 x 3/32 | 1/4 x 1/8 |
| | Bore | 3/4 | Accepts Type G Bushing |
| Key Way | 3/16 x 3/32 | | |
| Bore | 7/8 ² | | |
| Dimensions [in] | Key Way | 3/16 x 3/32 | |
| | Bore | 1 ² | |
| | Key Way | 1/4 x 1/8 | |
| | A | 2.938 | 3.219 |
| | B | 4.5 | 5.313 |
| | C | 1.938 | 2.094 |
| | D | 1.564 | 1.969 |
| | E | 1.188 | 1.313 |
| | F | 1.625 | 1.5 |
| | G | 0.375 | 0.375 |
| | I | 2.25 | 2.875 |
| | J | 2.5 | 3.125 |
| | K | 0.024 | 0.031 |
| | L | 3.813 | - |
| | M | 1 | - |
| | N | 0.3125 / 0.3145 | - |
| O | 1.125 | - | |
| P | 1.375 / 1.376 | - | |
| Q | 2.188 | - | |
| R | 1.594 | - | |
| Weight [lbs / kg] | | 9.2 / 4.2 | 15 / 7 |

[Note 1 : Most common voltage]

[1" = 25.4mm]

[Note 2 : Not available with extended hubs]