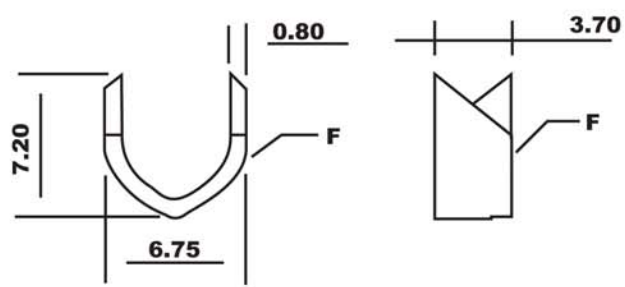
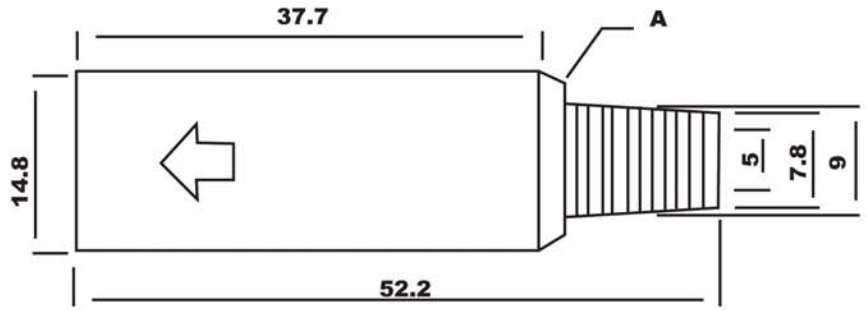
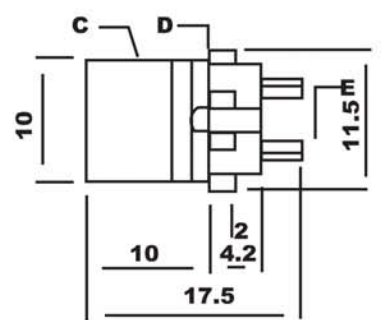
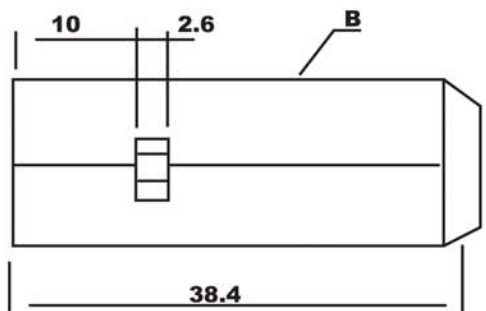
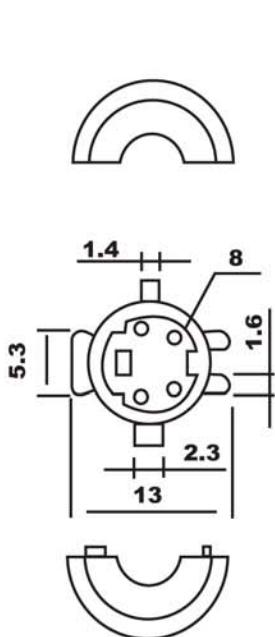


1	2	3	4		
<b>BDC-0375-1</b>	<b>BDC-0376-1</b>	<b>BDC-0377-1</b>	<b>BDC-0378-1</b>	<b>BDC-0379-1</b>	<b>BDC-0380-1</b>
<b>MINI 3P</b>	<b>MINI 4P</b>	<b>MINI 5P</b>	<b>MINI 6P</b>	<b>MINI 7P</b>	<b>MINI 8P</b>



Description:  
 MiniDIN-Connector, Assembly Type, Female  
 Name:  
 AD-DIO-M/K-XX-R  
 MINI DIN Solder Type

**ASSMANN**  
 Electronic Components



THIS DRAWING IS UNPUBLISHED  
 Copyright 2005 by Assmann Electronic Components All International Rights Reserved  
 This drawing is a controlled document for Assmann Electronics, Inc. It is subject to change and the controlling engineering organization should be contacted for the latest revision.