

AP8804
LOW VOLTAGE PULSED LED DRIVER

Description

The AP8804 is a low voltage linear LED driver capable of operating from supplies as low as 1.8V.

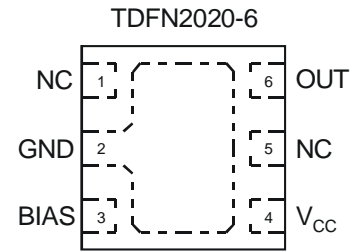
The AP8804 has an output current tolerance of 10% at 25°C at 250mA and 15% at the full rated current of 350mA.

The maximum output saturation voltage at the full rated current is 200mV.

Features

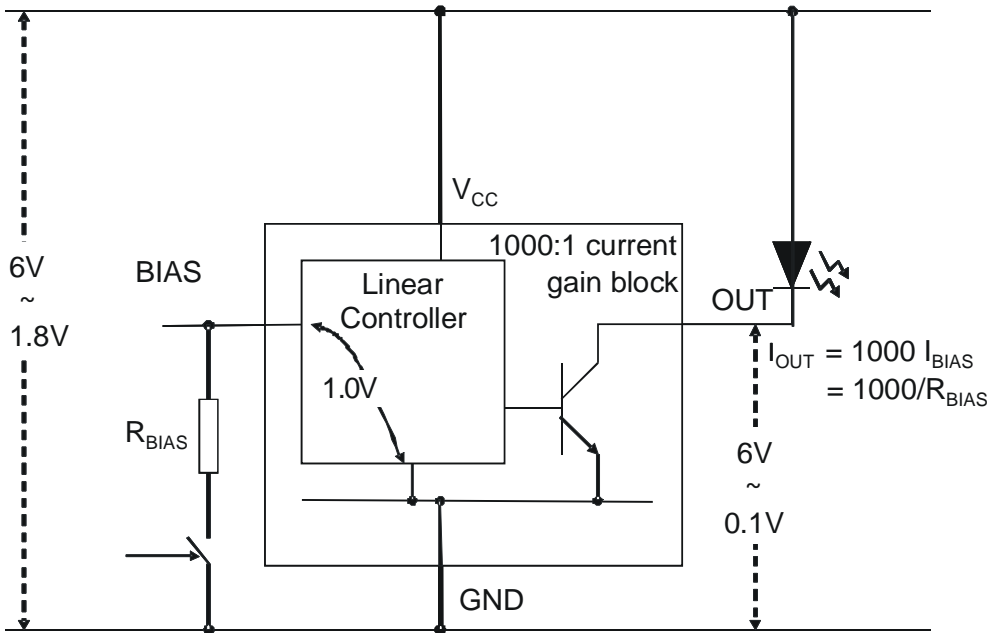
- 100mV Maximum output saturation voltage
- TDFN small outline package
- 10% Output current tolerance
- 0 to 70°C Junction temperature range
- Available in "Green" Molding Compound (No Br, Sb) with lead free Finish/RoHS Compliant (Note1)

Pin Assignments



Top View

Typical Application Circuit



Notes: 1. EU Directive 2002/95/EC (RoHS). All applicable RoHS exemptions applied, see EU Directive 2002/95/EC Annex Notes.

CONFIDENTIAL

Absolute Maximum Ratings

Symbol	Parameter	Rating	Unit
V _{CC}	Supply Voltage	-0.3 to +8 (Relative to GND)	V
V _{OUT}	Output Voltage		
V _{BIAS}	Bias Input Voltage	-0.3 to +0.3 (Relative to GND)	V
T _J	Junction Temperature	150	°C
T _{ST}	Storage Temperature	-65 to +150	°C

Note: These are stress ratings only. Operation outside the absolute maximum ratings may cause device failure. Operation at the absolute maximum rating for extended periods may reduce device reliability.
Semiconductor devices are ESD sensitive and may be damaged by exposure to ESD events. Suitable ESD precautions should be taken when handling and transporting these devices.

Recommended Operating Conditions

Symbol	Parameter	Min	Max	Unit
V _{CC}	Supply Voltage	1.8	6	V
I _{BIAS}	BIAS Input Current	-0.33	0	mA
I _O	Output Current	50	350	mA
T _A	Operating Ambient Temperature Range	0	70	°C

Package Thermal Data

Thermal Resistance	Package		Unit
Junction-to-Ambient, θ_{JA}	TDFN2020-6	80	°C/W
Junction-to-Case, θ_{JC}	TDFN2020-6	20	

Electrical Characteristics (Under Operating Conditions)

V_{OUT} = 0.2V, T_A = 25°C (unless otherwise stated). All typical are at 25°C (FT = 0 to 70°C)

Parameter	Conditions	T _A	Min	Typ.	Max	Unit
DC parameters						
Bias voltage	V _{CC} = 1.8V, R _{BIAS} = 3.05k Ω ²	25	900	1040	1200	mV
		FT	860		1240	
Output current accuracy ³	V _{CC} = 2.0V to 6V, V _{OUT} = V _{CC} - 1.8V, R _{BIAS} = 4.1k Ω	25	225	250	275	mA
Saturated output current tolerance ⁵	V _{CC} = 2.0V, V _{OUT} = 0.2V R _{BIAS} = 3.05k Ω , I _{OUT} = 350mA	25			15	%
		FT			20	
	V _{CC} = 2.0V, V _{OUT} = 0.5V R _{BIAS} = 3.05k Ω I _{OUT} = 350mA	25			10	%
		FT			15	
	V _{CC} = 2.0V, V _{OUT} = 0.15V R _{BIAS} = 4.1k Ω , I _{OUT} = 250mA	25			15	%
		FT			20	
Current Gain (I _{OUT} /I _{BIAS}) ^{3,4}	V _{CC} = 2V, V _{OUT} = 0.2V, 50 μ A < I _{BIAS} < 350 μ A	25		1000		
Quiescent current	V _{CC} = 6V, R _{BIAS} = Open Circuit	FT		100	150	μ A
Supply current (Active)	V _{CC} = 2V, R _{BIAS} = 3.05k Ω , V _{OUT} = 0.5V	FT		5.5	9	mA
Output Leakage (Off)	V _{CC} = 6V, R _{BIAS} \geq 2M Ω , V _{OUT} = 6V	25		<1	10	μ A
Output Leakage (Disabled)	V _{CC} = 0V, V _{OUT} = 6V	25		<1	100	nA
AC parameters						
Rise time (10% to 90%) ⁵	V _{CC} = 2.0V, V _{OUT} = 0.5V,					μ s
Fall time (90% to 10%) ⁵						
Propagation delay(low to high) ⁵	V _{CC} = 2.0V, V _{OUT} = 0.5V,					
Propagation delay(high to low) ⁵						

Notes: 2. R_{BIAS} connected to GND see Figure 1
3. All active output current measurements are pulsed tests of 8 μ s duration, 10% duty cycle
4. See Typical Characteristics for a graph of Output current vs. R_{BIAS} value
5. See Figure 2

Figure 1: Application Circuit

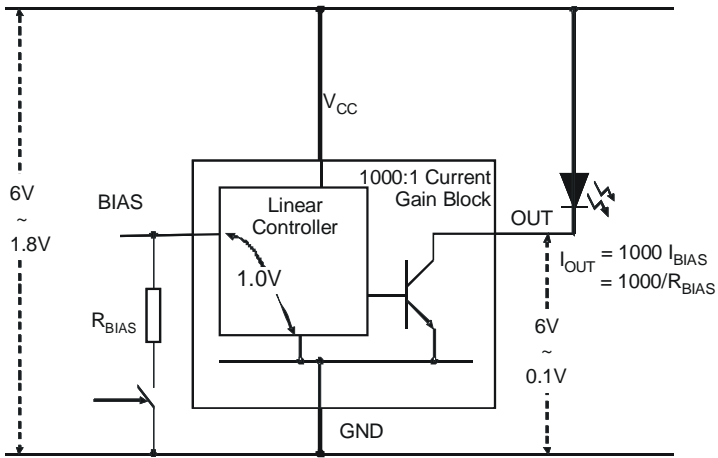
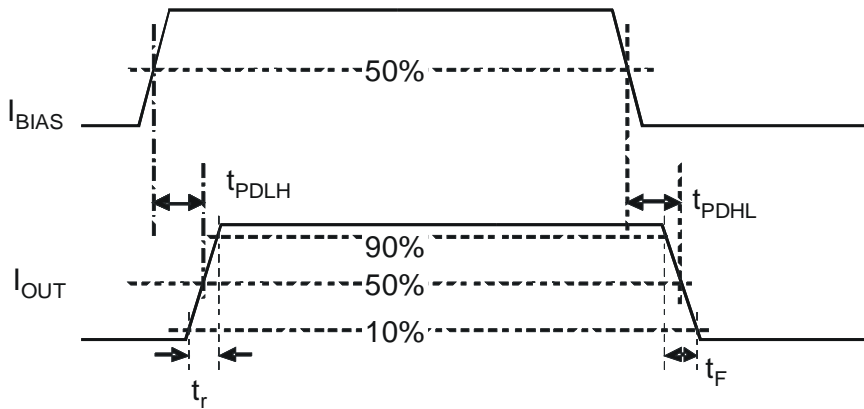


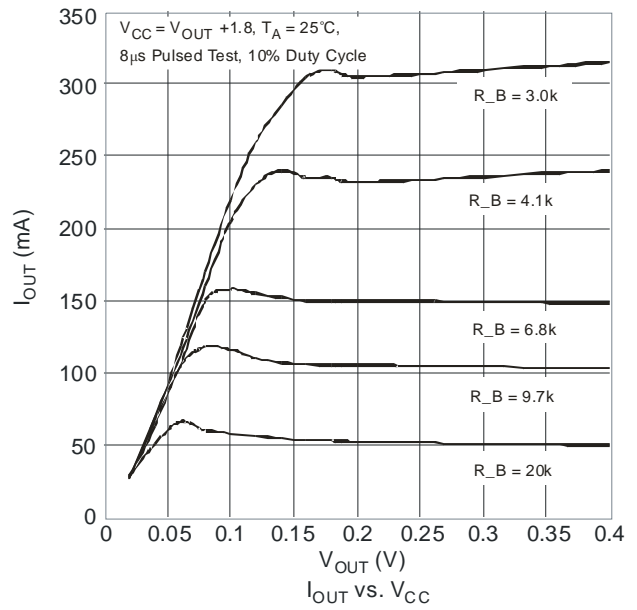
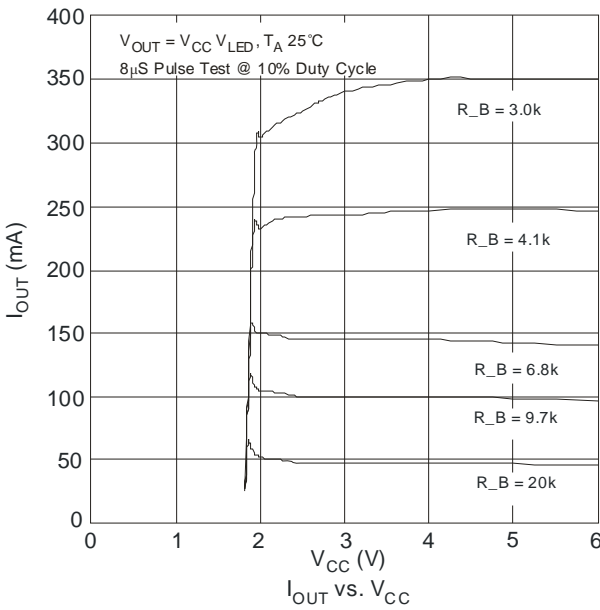
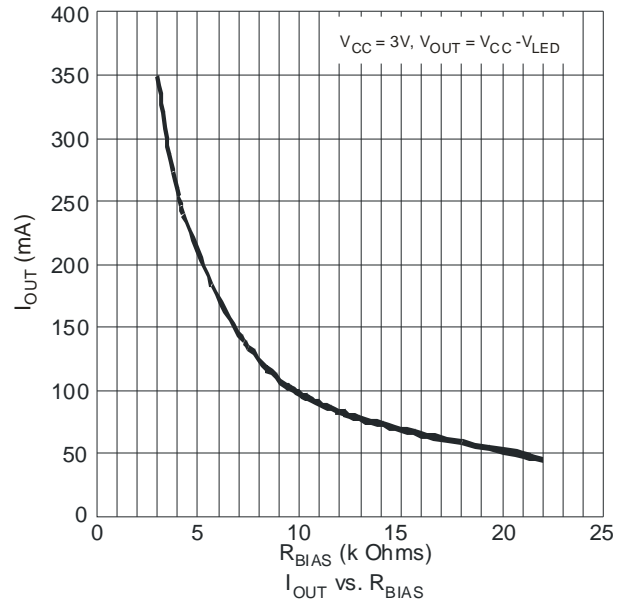
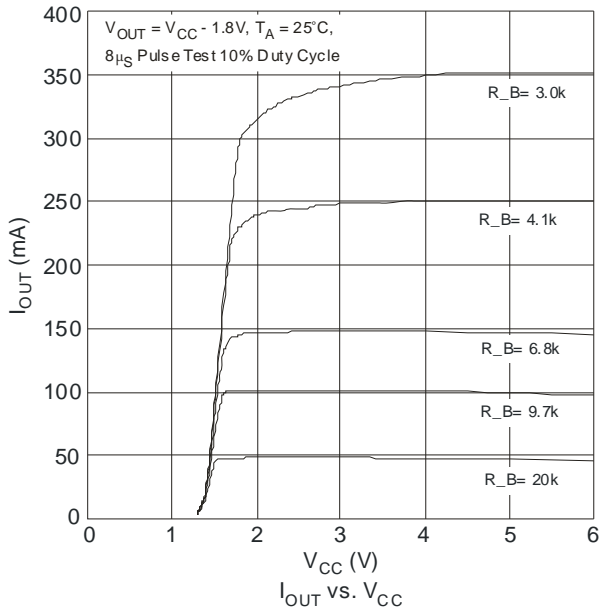
Figure 2: Timing Waveforms



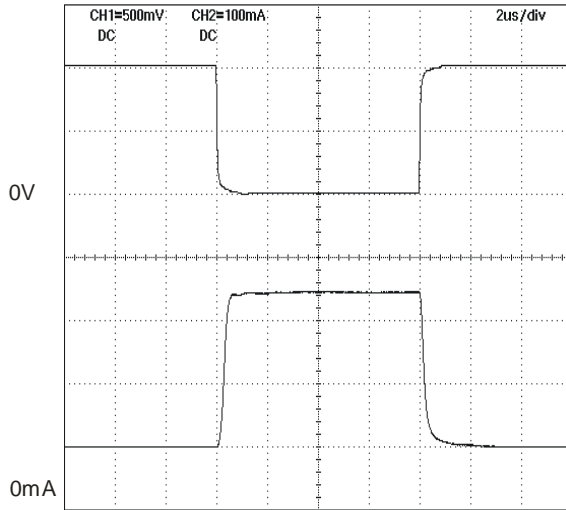
CONFIDENTIAL

Typical Characteristics

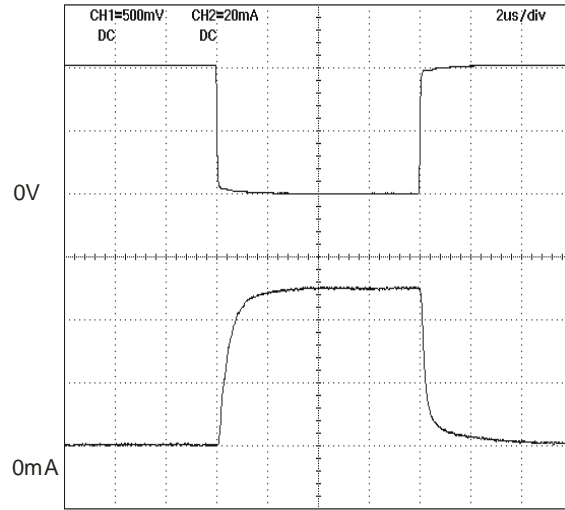
CONFIDENTIAL



Typical Characteristics (Cont.)



Channel 1 (Upper): V_Bias @ 0.5V/div Timebase: 2us/div
Channel 2 (Lower): I_Out @ 100mA/div
Pulse Response R_Bias 4.1k



Channel 1 (Upper): V_Bias @ 0.5V/div Timebase: 2us/div
Channel 2 (Lower): I_Out @ 20mA/div
Pulse Response R_Bias 21.0k

PIN Descriptions

NAME	I/O	Pin #	FUNCTION
NC	-	1	No connection. May be grounded or left floating.
GND	Power	2	GND or the most negative terminal of the LED Driver. Also carries the LED return current.
BIAS	I	3	The output of an internal voltage reference (1.0V approx.). Connect a resistor R _{BIAS} from this pin to the external control input. The LED Driver amplifies the R _{BIAS} resistor current by a factor of nominally 1000. Open circuiting this pin or driving this pin to >1.25V will turn off the output of the AP8804. Avoid unnecessary stray capacitance at this pin, and connect R _{BIAS} as close as possible to it.
V _{CC}	Power	4	The supply input pin of the LED Driver. This pin supplies the internal circuitry of the IC which is typically 80uA + 2.5% of the LED output current. It is advisable to decouple this pin with a 100nF capacitor to GND.
NC	-	5	No connection. May be grounded or left floating.
OUT	O	6	The output of the LED Driver, normally connected to the cathode of the LED. The normal working range of this pin is 0.1V (0.1V above GND pin potential) to 6V. It is permissible for the voltage on this pin to be higher than V _{CC} .

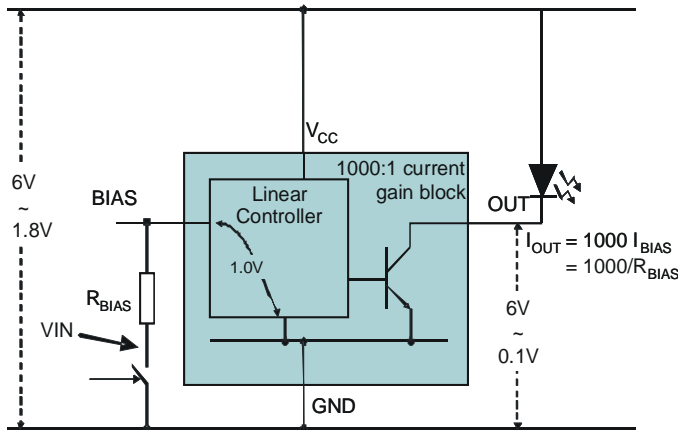
CONFIDENTIAL

Applications Information

Setting the Output Current

The AP8804 is controlled by an input current at the BIAS pin. When an LED or load resistance is connected between a positive supply and OUT, the load current I_{OUT} is proportional to the input current at the BIAS input of the AP8804. The current gain, A_I is nominally -1000. The voltage at the BIAS pin is controlled to nominally +1.0V. The resistor R_{BIAS} sets the input current according to the input voltage, V_{IN} , as in Figure 3.

Figure 3



Therefore the input voltage, V_{IN} , determines the output current according to this equation:

$$I_{OUT} = A_I * (V_{IN} - V_{BIAS}) / R_{BIAS} \quad \text{if } V_{IN} \leq V_{BIAS}$$

$$\text{and } I_{OUT} = 0 \quad \text{if } V_{IN} \geq V_{BIAS}$$

Note that these equations are approximate and a more accurate value of current can be found using the graph of I_{OUT} vs R_{BIAS} . Select R_{BIAS} to give the required I_{OUT} .

For example, if $R_{BIAS} = 3k$, an input of 0V will give an output current of nominally 350mA, while an input of about +1.1V or greater will give an output current equal to the leakage value which is typically less than $1\mu A$.

Driving the AP8804

The input current is approximately $1/R_{BIAS}$ when the driven end of R_{BIAS} is pulled to 0V or roughly output current divided by 1000. For a typical output current of up to about 300 mA, the input current will be $300\mu A$ or less. Hence a low level CMOS or open-drain logic drive level is convenient to turn the LED on (logic LOW, 0V) and off (logic HIGH, 1V or greater).

By connecting a switch to ground in series with R_{BIAS} (see figure 3) the device can be turned on and off. Typical applications for this include LED dimming as well as data interface applications.

An alternate way of turning the output of the AP8804 off is to drive the bias pin to greater than 1.1V. However direct drive to this pin is not recommended. Stray capacitance at the BIAS pin must be avoided for stability and the resistor R_{BIAS} should be placed close to the BIAS pin. The best method is to drive the input through the series resistor R_{BIAS} as shown from a CMOS or open drain logic signal.

V_{CC} pin quiescent current is typically $100\mu A$ and OUT pin leakage is typically less than $1\mu A$ when the device is turned off using the BIAS pin. BIAS pin controlled output switching times are less than 1us.

A further means of disabling the device is to turn off the supply to the V_{CC} pin. In this state, assuming the LED anode is still connected to the supply, the V_{CC} pin current is of course zero and the OUT pin leakage is typically less than $1nA$. This method has the advantage of reducing the quiescent current from about $100\mu A$ to less than $1nA$. When using this switching method, the time to settle to the desired current level may be several microseconds.

PCB Layout and Supply Conditioning

For a satisfactory pulse shape and AC stability, attention should be given to power supply decoupling. Connect a 0.1µF to 1µF X7R ceramic capacitor from Vcc to the common ground plane close to the Vcc pin. Position the capacitor close to the V_{CC} pin and use local vias to ground the capacitor. Additional ground vias should be placed as close as possible to the central paddle connection for the sake of both the pulse performance and thermal heat-sinking. The ground plane is also required to minimize undesired common-impedance coupling between input and output.

Excessive stray capacitance at the BIAS pin affects stability. It is sufficient to place the input bias resistor close to the BIAS pin to minimize the PCB trace capacitance to ground.

The AP8804 has been designed to drive the cathode of a low voltage LED which has the anode connected to the same node as V_{CC} pin. Alternatively the anode may be connected to a higher voltage than V_{CC} within the limits given. However best LED current regulation will be obtained when the anode is connected to V_{CC}.

Power Dissipation and Operating Temperature

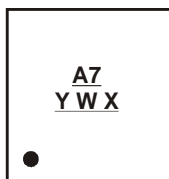
Although the performance of the AP8804 is not significantly affected by junction temperature, excessive power dissipation does affect the target output current. The typical variation of I_{Out} with power dissipation is approximately +0.065%/mW. A typical remote control application uses an NEC protocol data-burst with a low impedance 3V supply and 1.6V drop (at 250mA) across the LED load. Under these conditions, the power dissipation related error in I_{Out} will be approximately 3% average during the burst.

Ordering Information

Device	Package Code	Packaging	7"/13" Tape and Reel	
			Quantity	Part Number Suffix
AP8804SNG-7	SN	DFN2020-6	3000/ Tape & Reel	-7



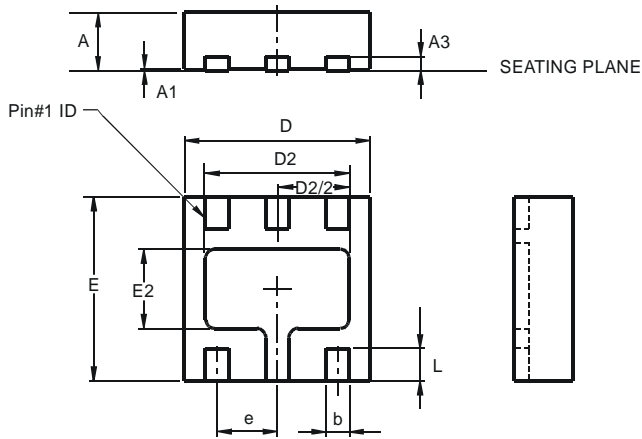
Marking Information



A7 = Product Type Marking Code
 Y = Year 0 ~ 9
 W = Week: A ~ Z : 1 ~ 26 Week;
 a ~ z : 27 ~ 52 week;
 z represents 52 and 53 week

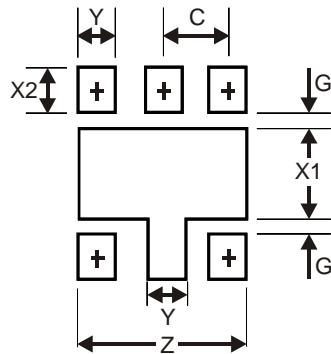
CONFIDENTIAL

Package Outline Dimensions



DFN2020-6			
Dim	Min	Max	Typ
A	0.57	0.63	0.60
A1	0	0.05	0.03
A3	—	—	0.15
b	0.20	0.30	0.25
D	1.95	2.075	2.00
D2	1.45	1.65	1.55
e	—	—	0.65
E	1.95	2.075	2.00
E2	0.76	0.96	0.86
L	0.30	0.40	0.35
All Dimensions in mm			

Suggested Pad Layout



Dimensions	Value (in mm)
Z	1.67
G	0.15
X1	0.90
X2	0.45
Y	0.37
C	0.65

CONFIDENTIAL

IMPORTANT NOTICE

DIODES INCORPORATED MAKES NO WARRANTY OF ANY KIND, EXPRESS OR IMPLIED, WITH REGARDS TO THIS DOCUMENT, INCLUDING, BUT NOT LIMITED TO, THE IMPLIED WARRANTIES OF MERCHANTABILITY AND FITNESS FOR A PARTICULAR PURPOSE (AND THEIR EQUIVALENTS UNDER THE LAWS OF ANY JURISDICTION).

Diodes Incorporated and its subsidiaries reserve the right to make modifications, enhancements, improvements, corrections or other changes without further notice to this document and any product described herein. Diodes Incorporated does not assume any liability arising out of the application or use of this document or any product described herein; neither does Diodes Incorporated convey any license under its patent or trademark rights, nor the rights of others. Any Customer or user of this document or products described herein in such applications shall assume all risks of such use and will agree to hold Diodes Incorporated and all the companies whose products are represented on Diodes Incorporated website, harmless against all damages.

Diodes Incorporated does not warrant or accept any liability whatsoever in respect of any products purchased through unauthorized sales channel.

Should Customers purchase or use Diodes Incorporated products for any unintended or unauthorized application, Customers shall indemnify and hold Diodes Incorporated and its representatives harmless against all claims, damages, expenses, and attorney fees arising out of, directly or indirectly, any claim of personal injury or death associated with such unintended or unauthorized application.

Products described herein may be covered by one or more United States, international or foreign patents pending. Product names and markings noted herein may also be covered by one or more United States, international or foreign trademarks.

LIFE SUPPORT

Diodes Incorporated products are specifically not authorized for use as critical components in life support devices or systems without the express written approval of the Chief Executive Officer of Diodes Incorporated. As used herein:

A. Life support devices or systems are devices or systems which:

1. are intended to implant into the body, or
2. support or sustain life and whose failure to perform when properly used in accordance with instructions for use provided in the labeling can be reasonably expected to result in significant injury to the user.

B. A critical component is any component in a life support device or system whose failure to perform can be reasonably expected to cause the failure of the life support device or to affect its safety or effectiveness.

Customers represent that they have all necessary expertise in the safety and regulatory ramifications of their life support devices or systems, and acknowledge and agree that they are solely responsible for all legal, regulatory and safety-related requirements concerning their products and any use of Diodes Incorporated products in such safety-critical, life support devices or systems, notwithstanding any devices- or systems-related information or support that may be provided by Diodes Incorporated. Further, Customers must fully indemnify Diodes Incorporated and its representatives against any damages arising out of the use of Diodes Incorporated products in such safety-critical, life support devices or systems.

Copyright © 2010, Diodes Incorporated

www.diodes.com