

1

2

3

4

5

6

7

A

B

C

D

E

F

A

B

C

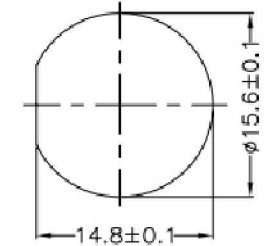
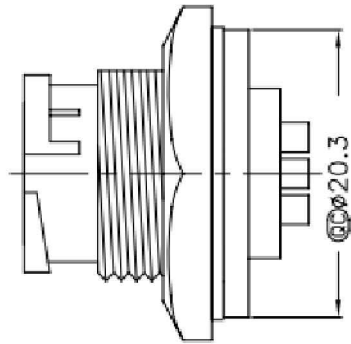
D

E

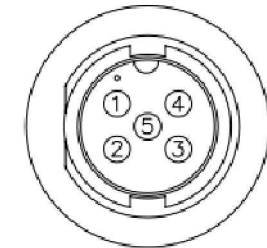
F

G

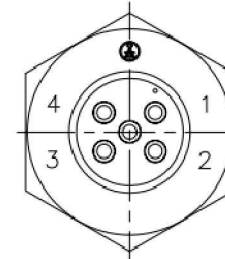
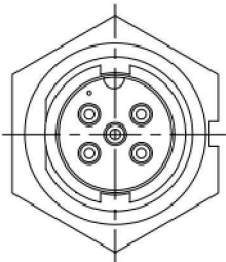
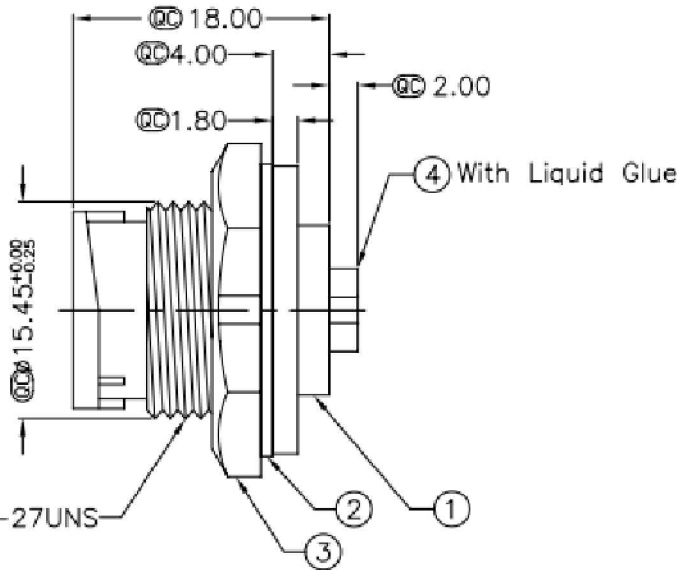
H



Recommended Panel Cut-Out



Pin Assignments  
Front View



Note:

- \*  $\varnothing$  Important Dimension.
- \* Waterproof Rate: IP67
- \* Connector: Black, Nylon+GF
- \* Pin: Copper Alloy, Gold Plated

**RoHS compliant**  
Unit: mm

Scale	Free						Date	Name	Customer-No.
TOLERANCE						Drawn	09.06.2014	Joanna	
Unit	$\pm XX$					Approved	09.06.2014	Joanna	ASSMANN WSW-No.
.X	$\pm 0.25$								A-CR-05PMMS-LC-WP
.XX	$\pm 0.1$								Drawing-No.
.XXX	$\pm 0.05$								ASS 6370 CO
DIM	Tol								rev00
		Ⓞ	Drawn	09.06.2014	Joanna	<b>ASSMANN</b> WSW/ components		Replace	Sheet
Angle	$\pm 1^\circ$	Id.	Modification	Date	Name				

1

2

3

4

5

6

7