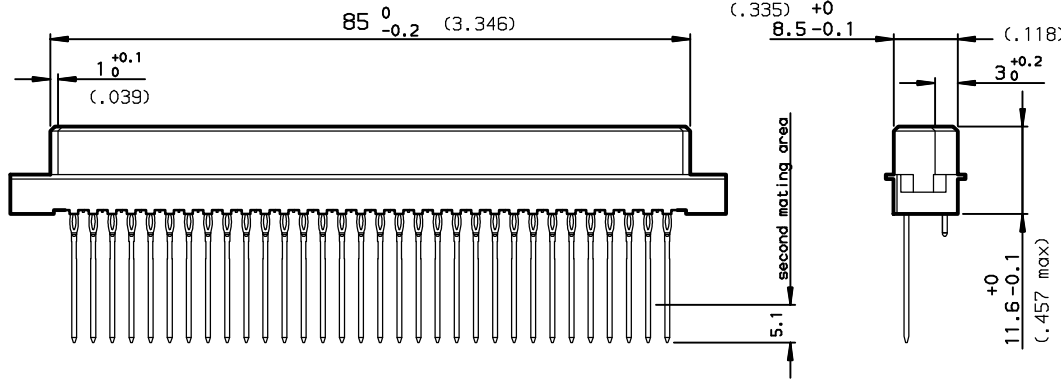
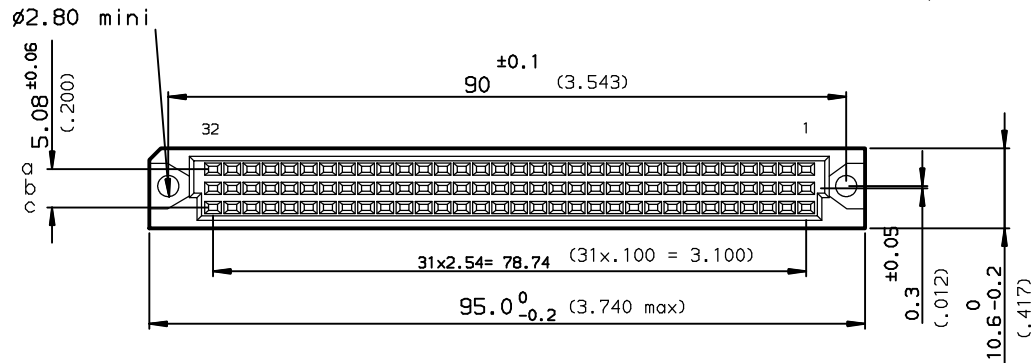
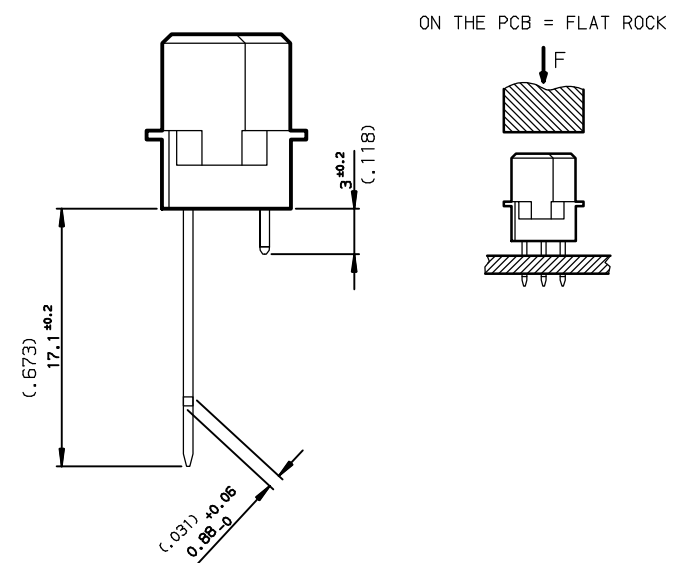


DIMENSIONS mm (inches)



TERMINATION



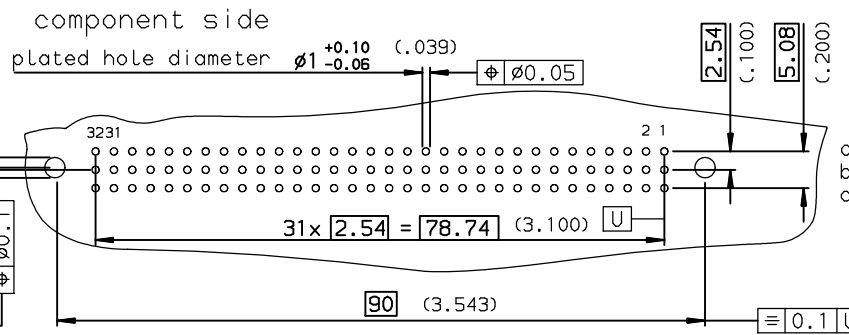
TIN LEAD PART NUMBER

PART NUMBER
86094648190755729A

LEAD FREE PART NUMBER

PART NUMBER
86094648190755CKLF

PCB DRILLING



GENERAL CHARACTERISTICS AND ROHS INFORMATIONS:

SEE DRAWING C-8609-0000C

European Views

| | | | | |
|---------------------------------------|--------|------------------------|-----------------------------------|------------------|
| www.fciconnect.com | | surface ISO 1302 ✓ | tolerance std ISO 406 ISO 1101 | projection mm |
| TOLERANCES UNLESS OTHERWISE SPECIFIED | | | | |
| Dr | LELEON | 2003/01/14 | ANGULAR | size A3 |
| Eng | TARON | 2003/01/14 | LINEAR | Scale 1.5 |
| Chr | LEGARE | 2003/01/14 | 0.xx ±2° | ECN L506-0095 |
| Appr | LEGARE | 2003/01/14 | 0.xxx ±0.1 | Spec ref - |
| Product family | | | DIN 8609 | |
| title STRAIGHT RECEPTACLE PRESSFIT | | part no C-8609-1149 | | Rev. C |
| catalog no | | CUSTOMER sheet 1 of 1 | | |

| rev | ecn no | dr | date |
|-----|-----------|-----|------------|
| A | - | - | 2003/01/14 |
| B | LS05-004 | JTA | 2005/02/26 |
| C | LS06-0095 | LGO | 2006/06/28 |
| - | - | - | - |
| - | - | - | - |
| - | - | - | - |

SPECIFICATION 729 = specific termination : 17.1 mm row a
OR SPECIFICATION CK = 3 mm row c



Copyright FCI.