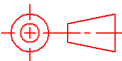
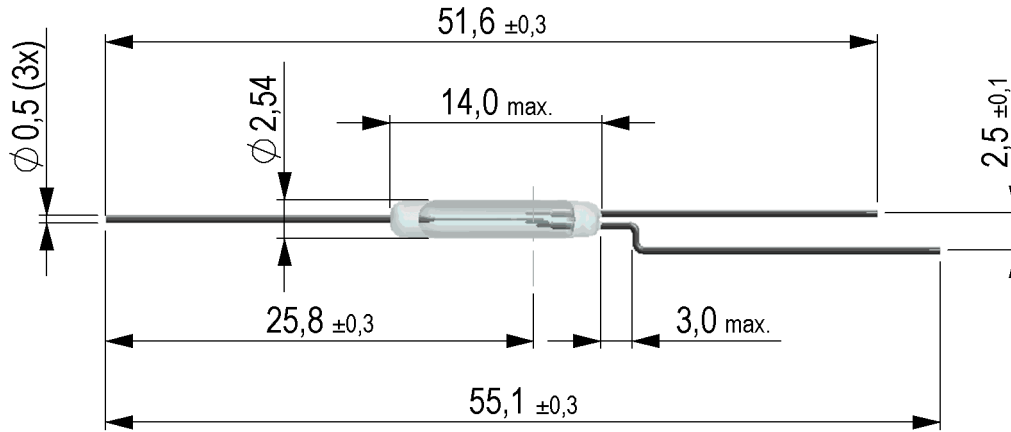


*Products for tomorrow...*



tolerances according to DIN ISO 2768 m

| Magnetic properties                  | Conditions  | Min    | Typ | Max | Unit |
|--------------------------------------|---|--------|-----|-----|------|
| Pull-In excitation (Reference value) | Reed switch unmodified measured in coil- "define operation" | 20     |     | 25  | AT   |
| Test-Coil                            | Reed switch unmodified                                      | KMS-01 |     |     |      |

| Contact data 90            | Conditions  | Min     | Typ | Max | Unit |
|----------------------------|---|---------|-----|-----|------|
| Contact-No.                |   | 90      |     |     |      |
| Contact-form               |   | C       |     |     |      |
| Contact-material           |   | Rhodium |     |     |      |
| Contact rating             | Any DC combination of V & A not to exceed their individual max.'s |         |     | 10  | W    |
| Switching voltage          | DC or Peak AC/ with 40% overdrive                                 |         |     | 175 | V    |
| Switching current          | DC or Peak AC/with 40% overdrive                                  |         |     | 0,5 | A    |
| Carry current              | DC or Peak AC/ with 40% overdrive                                 |         |     | 1   | A    |
| Contact resistance static  | Measured with 40% overdrive Start Value                           |         |     | 150 | mOhm |
| Contact resistance dynamic | Maximum value 1,5 ms after excitation Start Value                 |         |     | 250 | mOhm |
| Insulation resistance      | RH <45 %, 100 V test voltage                                      | 1       |     |     | GOhm |
| Breakdown voltage          | according to EN 60255-5   | 200     |     |     | VDC  |
| Operate time, incl. bounce | measured with 40% overdrive                                       |         |     | 0,7 | ms   |
| Release time               | measured with no coil excitation                                  |         |     | 1,5 | ms   |
| Capacity                   | @ 10 kHz across open switch                                       |         | 1   |     | pF   |

| Contact dimensions C   | Conditions                     | Min | Typ  | Max | Unit |
|------------------------|--------------------------------|-----|------|-----|------|
| Overall length over NC | Tolerance according to drawing |     | 55,1 |     | mm   |
| Glass body length      | Tolerance according to drawing |     | 14   |     | mm   |

| Environmental data    | Conditions                  | Min                       | Typ | Max | Unit |
|-----------------------|-----------------------------|---------------------------|-----|-----|------|
| Shock                 | 1/2 sine wave duration 11ms |                           |     | 50  | g    |
| Vibration             | from 10 - 2000 Hz           |                           |     | 20  | g    |
| Operating temperature |                             | -40                       |     | 130 | °C   |
| Storage temperature   |                             | -55                       |     | 130 | °C   |
| Soldering temperature | wave soldering max. 5 sec.  | wave soldering max. 5sec. |     |     |      |

Modifications in the sense of technical progress are reserved

Designed at: 22.05.03 Designed by: SCHELLHORN  
 Last Change at: 13.10.08 Last Change by: AKELLER

Approval at: 21.10.08 Approval by: RKAMP  
 Approval at: Approval by:

Version: 3

# Mouser Electronics

Authorized Distributor

Click to View Pricing, Inventory, Delivery & Lifecycle Information:

[Standex Electronics:](#)

[KSK-1C90F-2025](#)