

S4E5B001B000A00 Monochrome EPD Controller Module November 2012

EPSON's EPD Controller Module is a complete, high performance, easy to use solution for E Ink EPDs (Electronic Paper Displays). The module includes all the necessary digital and analog power circuitry for driving an E Ink panel. The module consists of Epson's S1D13522 EPD controller, an on-board 26MHz crystal clock source, a 4 Mbit flash memory for command/waveform storage, and a power management IC (PMIC) with built in temperature sensor.

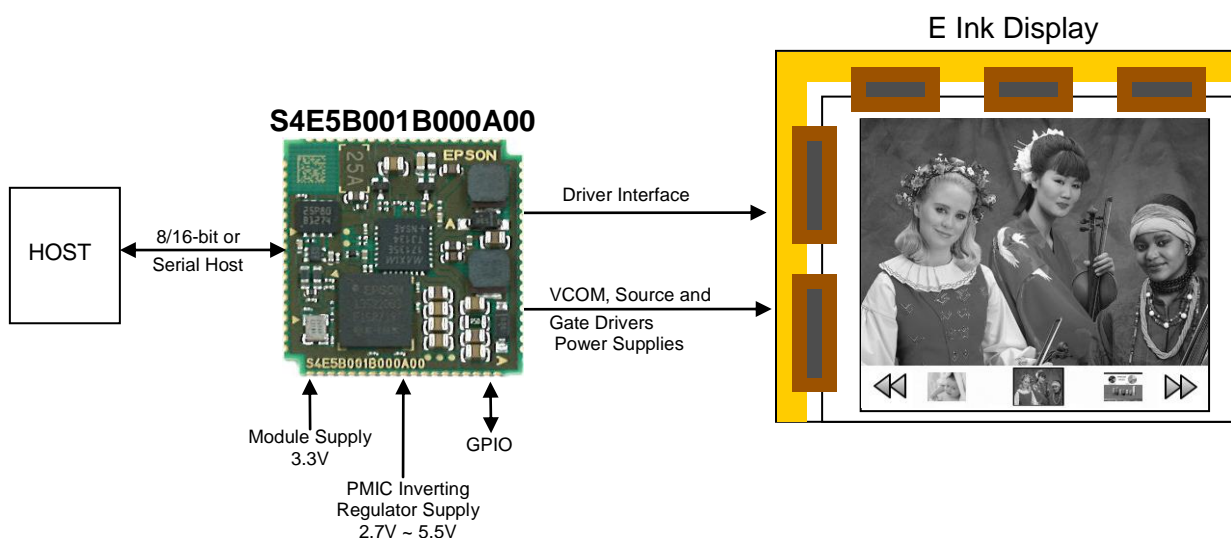
The module was developed to remove the complexities of board design from our customers thus reducing time to market and opening a variety of applications.

The S4E5B001B000A00 EPD Controller Module is the ideal choice for new EPD designs and design upgrades.

■ Features

- Epson S1D13522 EPD Controller
- Targeted for popular display resolutions from E Ink: 800x600, 1024x768 and 1200x825 (www.eink.com)
- Multi-Regional updates for smooth drawing
- Rotation support for Host Writes
- Low Host overhead
- 8/16-bit Indirect or Serial Host Support
- Automatic temperature compensation with onboard Thermal Sensor
- Optional auto boot display support and customizable boot screen
- Programmable Power Management
- Picture-in-Picture and Cursor functions with separate buffers
- No external clock source required
- Four regulated output voltages for Source and Gate Driver power supplies
- $V_{POS} + V_{NEG} = \pm 50mV$ tracking accuracy
- Controlled inrush current during soft start
- Six General Purpose IO Pins available
- Package: 76-pin 23mm x 23mm x 2.4mm Castellated-via, 1mm pitch

■ System Diagram



■ Description

Display Support

- Compatible with E Ink Monochrome Active Matrix Panels
- Up to 4-bit grayscale waveforms (16 grey-shades)
- Auto Waveform Management Version 2
- Panel Border Support
- Waveform format: E Ink proprietary

Stacked Memory

- Host write rotation: 90°, 180°, or 270°
- Host writes can use packed mode for high-speed transfers
- Host writes with transparency for non-rectangular images
- New image data can be loaded to the image buffer while display updates are in progress

Host Support

- Indirect Intel 80 8/16-bit or Serial Host
- Simplified command style access

Display Features

- Picture-in-Picture (PIP) window with separate image buffer and transparency function
- Hardware Cursor support

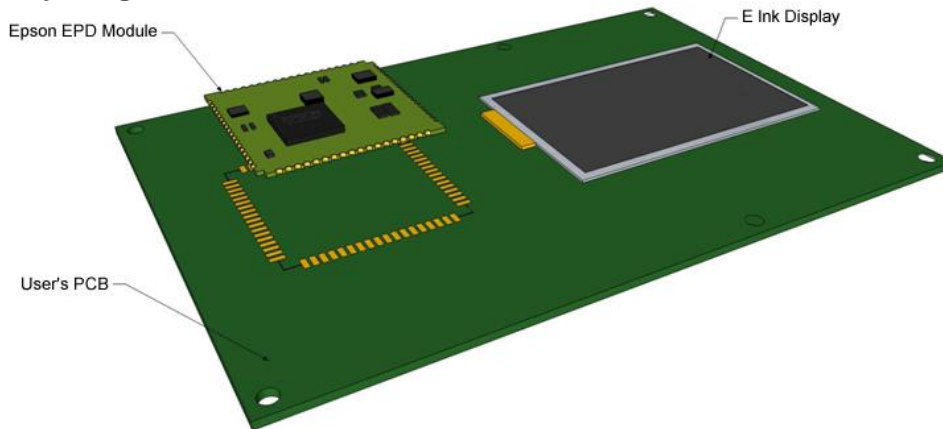
Power Management Support

- Power Management with built-in temperature sensor
- Software Power Save Modes
- Low and ultra-low power modes

Miscellaneous

- Six General Purpose Input/Output pins
- Each GPIO pin can be configured for edge detect interrupt
- Module Supply Voltage: 3.3V
- PMIC Inverting Regulator Supply Voltage: 2.7V ~ 5.5V

■ PCB Assembly Diagram



Japan

Seiko Epson Corporation
Microdevices Operations Division
IC Sales & Marketing Department
421-8, Hino, Hino-shi
Tokyo 191-8501, Japan
Tel: +81-42-587-5814
Fax: +81-42-587-5117

North America

Epson Electronics America, Inc.
214 Devcon Drive
San Jose, CA 95112, USA
Tel: +1-800-228-3964
Fax: +1-408-922-0238

China

Epson (China) Co., Ltd.
7F, Jinbao Bldg.
No. 89 Jinbao St.
Dongcheng District
Beijing 100005, China
Tel: +86-10-6410-6555
Fax: +86-10-6410-7320

Taiwan

Epson Taiwan Technology & Trading Ltd.
14F, No. 7
Song Ren Road
Taipei 110, Taiwan
Tel: +886-2-8786-6688
Fax: +886-2-8786-6660

Hong Kong

Epson Hong Kong Ltd.
20/F, Harbour Centre
25 Harbour Road
Wanchai, Hong Kong
Tel: +852-2585-4600
Fax: +852-2827-4346

Europe

Epson Europe Electronics GmbH
Riesstrasse 15
80992 Munich, Germany
Tel: +49-89-14005-0
Fax: +49-89-14005-110

Singapore

Epson Singapore Pte., Ltd.
1 HarbourFront Place
#03-02 HarbourFront Tower One
Singapore 098633
Tel: +65-6586-5500
Fax: +65-6271-3182

Korea

Seiko Epson Corp.
Korea Office
5F, LKI 63 Bldg.
60 Yoido-dong, Youngdeungpo-Ku,
Seoul, 150-763, Korea
Tel: +82-2-784-6027
Fax: +82-2-767-3677

© SEIKO EPSON CORPORATION 2012. All rights reserved.

Information in this document is subject to change without notice. You may download and use this document, but only for your own use in evaluating Seiko Epson/EPSON products. You may not modify the document. Epson Research and Development, Inc. disclaims any representation that the contents of this document are accurate or current. The Programs/Technologies described in this document may contain material protected under U.S. and/or International Patent laws. EPSON is a registered trademark of Seiko Epson Corporation. All other trademarks are the property of their respective owners.