



## K60 Sub-Family Data Sheet

Supports the following:

MK60DN256ZVLL10,  
MK60DX256ZVLL10,  
MK60DN512ZVLL10

### Features

- Operating Characteristics
  - Voltage range: 1.71 to 3.6 V
  - Flash write voltage range: 1.71 to 3.6 V
  - Temperature range (ambient): -40 to 105°C
- Performance
  - Up to 100 MHz ARM Cortex-M4 core with DSP instructions delivering 1.25 Dhrystone MIPS per MHz
- Memories and memory interfaces
  - Up to 512 KB program flash memory on non-FlexMemory devices
  - Up to 256 KB program flash memory on FlexMemory devices
  - Up to 256 KB FlexNVM on FlexMemory devices
  - 4 KB FlexRAM on FlexMemory devices
  - Up to 128 KB RAM
  - Serial programming interface (EzPort)
  - FlexBus external bus interface
- Clocks
  - 3 to 32 MHz crystal oscillator
  - 32 kHz crystal oscillator
  - Multi-purpose clock generator
- System peripherals
  - 10 low-power modes to provide power optimization based on application requirements
  - Memory protection unit with multi-master protection
  - 16-channel DMA controller, supporting up to 64 request sources
  - External watchdog monitor
  - Software watchdog
  - Low-leakage wakeup unit
- Security and integrity modules
  - Hardware CRC module to support fast cyclic redundancy checks
  - Hardware random-number generator
  - Hardware encryption supporting DES, 3DES, AES, MD5, SHA-1, and SHA-256 algorithms
  - 128-bit unique identification (ID) number per chip
- Human-machine interface
  - Low-power hardware touch sensor interface (TSI)
  - General-purpose input/output
- Analog modules
  - Two 16-bit SAR ADCs
  - Programmable gain amplifier (PGA) (up to x64) integrated into each ADC
  - 12-bit DAC
  - Three analog comparators (CMP) containing a 6-bit DAC and programmable reference input
  - Voltage reference
- Timers
  - Programmable delay block
  - Eight-channel motor control/general purpose/PWM timer
  - Two 2-channel quadrature decoder/general purpose timers
  - IEEE 1588 timers
  - Periodic interrupt timers
  - 16-bit low-power timer
  - Carrier modulator transmitter
  - Real-time clock

## K60P100M100SF2



This document contains information on a new product. Specifications and information herein are subject to change without notice.

© 2010–2011 Freescale Semiconductor, Inc.

Preliminary

- Communication interfaces
  - Ethernet controller with MII and RMII interface to external PHY and hardware IEEE 1588 capability
  - USB full-/low-speed On-the-Go controller with on-chip transceiver
  - Two Controller Area Network (CAN) modules
  - Three SPI modules
  - Two I2C modules
  - Five UART modules
  - Secure Digital host controller (SDHC)
  - I2S module

# Table of Contents

1	Ordering parts.....	5	6	Peripheral operating requirements and behaviors.....	24
1.1	Determining valid orderable parts.....	5	6.1	Core modules.....	24
2	Part identification.....	5	6.1.1	Debug trace timing specifications.....	24
2.1	Description.....	5	6.1.2	JTAG electricals.....	25
2.2	Format.....	5	6.2	System modules.....	28
2.3	Fields.....	5	6.3	Clock modules.....	28
2.4	Example.....	6	6.3.1	MCG specifications.....	28
3	Terminology and guidelines.....	6	6.3.2	Oscillator electrical specifications.....	31
3.1	Definition: Operating requirement.....	6	6.3.3	32kHz Oscillator Electrical Characteristics.....	33
3.2	Definition: Operating behavior.....	7	6.4	Memories and memory interfaces.....	34
3.3	Definition: Attribute.....	7	6.4.1	Flash (FTFL) electrical specifications.....	34
3.4	Definition: Rating.....	8	6.4.2	EzPort Switching Specifications.....	38
3.5	Result of exceeding a rating.....	8	6.4.3	Flexbus Switching Specifications.....	39
3.6	Relationship between ratings and operating requirements.....	8	6.5	Security and integrity modules.....	42
3.7	Guidelines for ratings and operating requirements.....	9	6.6	Analog.....	42
3.8	Definition: Typical value.....	9	6.6.1	ADC electrical specifications.....	42
3.9	Typical value conditions.....	10	6.6.2	CMP and 6-bit DAC electrical specifications.....	50
4	Ratings.....	10	6.6.3	12-bit DAC electrical characteristics.....	52
4.1	Thermal handling ratings.....	11	6.6.4	Voltage reference electrical specifications.....	55
4.2	Moisture handling ratings.....	11	6.7	Timers.....	56
4.3	ESD handling ratings.....	11	6.8	Communication interfaces.....	57
4.4	Voltage and current operating ratings.....	11	6.8.1	Ethernet switching specifications.....	57
5	General.....	12	6.8.2	USB electrical specifications.....	59
5.1	Nonswitching electrical specifications.....	12	6.8.3	USB DCD electrical specifications.....	59
5.1.1	Voltage and current operating requirements.....	12	6.8.4	USB VREG electrical specifications.....	59
5.1.2	LVD and POR operating requirements.....	13	6.8.5	CAN switching specifications.....	60
5.1.3	Voltage and current operating behaviors.....	14	6.8.6	DSPI switching specifications (low-speed mode).....	60
5.1.4	Power mode transition operating behaviors.....	15	6.8.7	DSPI switching specifications (high-speed mode).....	62
5.1.5	Power consumption operating behaviors.....	16	6.8.8	I2C switching specifications.....	63
5.1.6	EMC radiated emissions operating behaviors.....	20	6.8.9	UART switching specifications.....	63
5.1.7	Designing with radiated emissions in mind.....	21	6.8.10	SDHC specifications.....	63
5.1.8	Capacitance attributes.....	21	6.8.11	I2S switching specifications.....	64
5.2	Switching specifications.....	21	6.9	Human-machine interfaces (HMI).....	66
5.2.1	Device clock specifications.....	21	6.9.1	TSI electrical specifications.....	66
5.2.2	General switching specifications.....	22	7	Dimensions.....	67
5.3	Thermal specifications.....	23	7.1	Obtaining package dimensions.....	67
5.3.1	Thermal operating requirements.....	23	8	Pinout.....	68
5.3.2	Thermal attributes.....	23			

8.1 K60 Signal Multiplexing and Pin Assignments.....68      9 Revision History.....73  
8.2 K60 Pinouts.....72

# 1 Ordering parts

## 1.1 Determining valid orderable parts

Valid orderable part numbers are provided on the web. To determine the orderable part numbers for this device, go to <http://www.freescale.com> and perform a part number search for the following device numbers: PK60 and MK60.

## 2 Part identification

### 2.1 Description

Part numbers for the chip have fields that identify the specific part. You can use the values of these fields to determine the specific part you have received.

### 2.2 Format

Part numbers for this device have the following format:

Q K## A M FFF R T PP CC N

### 2.3 Fields

This table lists the possible values for each field in the part number (not all combinations are valid):

Field	Description	Values
Q	Qualification status	<ul style="list-style-type: none"> <li>M = Fully qualified, general market flow</li> <li>P = Prequalification</li> </ul>
K##	Kinetis family	<ul style="list-style-type: none"> <li>K60</li> </ul>
A	Key attribute	<ul style="list-style-type: none"> <li>D = Cortex-M4 w/ DSP</li> <li>F = Cortex-M4 w/ DSP and FPU</li> </ul>
M	Flash memory type	<ul style="list-style-type: none"> <li>N = Program flash only</li> <li>X = Program flash and FlexMemory</li> </ul>

*Table continues on the next page...*

## Terminology and guidelines

Field	Description	Values
FFF	Program flash memory size	<ul style="list-style-type: none"><li>• 32 = 32 KB</li><li>• 64 = 64 KB</li><li>• 128 = 128 KB</li><li>• 256 = 256 KB</li><li>• 512 = 512 KB</li><li>• 1M0 = 1 MB</li></ul>
R	Silicon revision	<ul style="list-style-type: none"><li>• Z = Initial</li><li>• (Blank) = Main</li><li>• A = Revision after main</li></ul>
T	Temperature range (°C)	<ul style="list-style-type: none"><li>• V = -40 to 105</li><li>• C = -40 to 85</li></ul>
PP	Package identifier	<ul style="list-style-type: none"><li>• FM = 32 QFN (5 mm x 5 mm)</li><li>• FT = 48 QFN (7 mm x 7 mm)</li><li>• LF = 48 LQFP (7 mm x 7 mm)</li><li>• EX = 64 QFN (9 mm x 9 mm)</li><li>• LH = 64 LQFP (10 mm x 10 mm)</li><li>• LK = 80 LQFP (12 mm x 12 mm)</li><li>• MB = 81 MAPBGA (8 mm x 8 mm)</li><li>• LL = 100 LQFP (14 mm x 14 mm)</li><li>• MC = 121 MAPBGA (8 mm x 8 mm)</li><li>• LQ = 144 LQFP (20 mm x 20 mm)</li><li>• MD = 144 MAPBGA (13 mm x 13 mm)</li><li>• MF = 196 MAPBGA (15 mm x 15 mm)</li><li>• MJ = 256 MAPBGA (17 mm x 17 mm)</li></ul>
CC	Maximum CPU frequency (MHz)	<ul style="list-style-type: none"><li>• 5 = 50 MHz</li><li>• 7 = 72 MHz</li><li>• 10 = 100 MHz</li><li>• 12 = 120 MHz</li><li>• 15 = 150 MHz</li></ul>
N	Packaging type	<ul style="list-style-type: none"><li>• R = Tape and reel</li><li>• (Blank) = Trays</li></ul>

## 2.4 Example

This is an example part number:

MK60DN512ZVMD10

## 3 Terminology and guidelines

### 3.1 Definition: Operating requirement

An *operating requirement* is a specified value or range of values for a technical characteristic that you must guarantee during operation to avoid incorrect operation and possibly decreasing the useful life of the chip.

#### 3.1.1 Example

This is an example of an operating requirement, which you must meet for the accompanying operating behaviors to be guaranteed:

Symbol	Description	Min.	Max.	Unit
V <sub>DD</sub>	1.0 V core supply voltage	0.9	1.1	V

### 3.2 Definition: Operating behavior

An *operating behavior* is a specified value or range of values for a technical characteristic that are guaranteed during operation if you meet the operating requirements and any other specified conditions.

#### 3.2.1 Example

This is an example of an operating behavior, which is guaranteed if you meet the accompanying operating requirements:

Symbol	Description	Min.	Max.	Unit
I <sub>WP</sub>	Digital I/O weak pullup/pulldown current	10	130	μA

### 3.3 Definition: Attribute

An *attribute* is a specified value or range of values for a technical characteristic that are guaranteed, regardless of whether you meet the operating requirements.

### 3.3.1 Example

This is an example of an attribute:

Symbol	Description	Min.	Max.	Unit
CIN_D	Input capacitance: digital pins	—	7	pF

### 3.4 Definition: Rating

A *rating* is a minimum or maximum value of a technical characteristic that, if exceeded, may cause permanent chip failure:

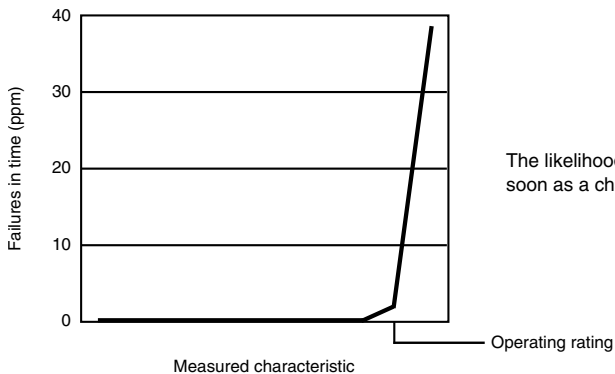
- *Operating ratings* apply during operation of the chip.
- *Handling ratings* apply when the chip is not powered.

#### 3.4.1 Example

This is an example of an operating rating:

Symbol	Description	Min.	Max.	Unit
V <sub>DD</sub>	1.0 V core supply voltage	-0.3	1.2	V

### 3.5 Result of exceeding a rating



The likelihood of permanent chip failure increases rapidly as soon as a characteristic begins to exceed one of its operating ratings.



## 3.6 Relationship between ratings and operating requirements

Operating or handling rating (min.)		Operating requirement (min.)		Operating requirement (max.)		Operating or handling rating (max.)	
<b>Fatal range</b> - Probable permanent failure	<b>Limited operating range</b> - No permanent failure - Possible decreased life - Possible incorrect operation	<b>Normal operating range</b> - No permanent failure - Correct operation	<b>Limited operating range</b> - No permanent failure - Possible decreased life - Possible incorrect operation	<b>Fatal range</b> - Probable permanent failure			
<b>Handling range</b> - No permanent failure							

## 3.7 Guidelines for ratings and operating requirements

Follow these guidelines for ratings and operating requirements:

- Never exceed any of the chip's ratings.
- During normal operation, don't exceed any of the chip's operating requirements.
- If you must exceed an operating requirement at times other than during normal operation (for example, during power sequencing), limit the duration as much as possible.

## 3.8 Definition: Typical value

A *typical value* is a specified value for a technical characteristic that:

- Lies within the range of values specified by the operating behavior
- Given the typical manufacturing process, is representative of that characteristic during operation when you meet the typical-value conditions or other specified conditions

Typical values are provided as design guidelines and are neither tested nor guaranteed.

### 3.8.1 Example 1

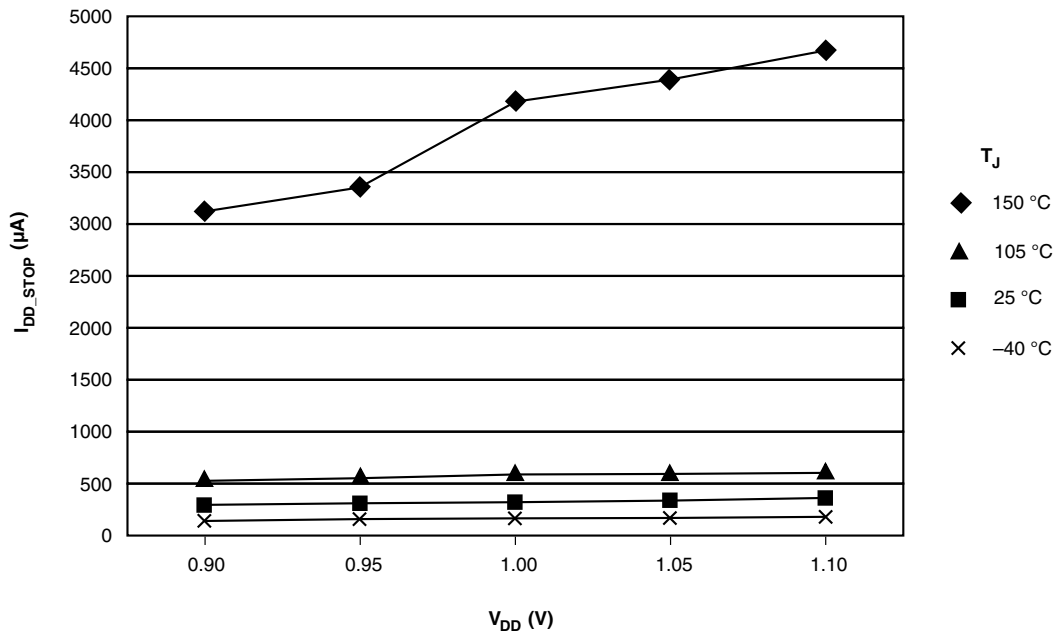
This is an example of an operating behavior that includes a typical value:

## Ratings

Symbol	Description	Min.	Typ.	Max.	Unit
$I_{WP}$	Digital I/O weak pullup/pulldown current	10	70	130	$\mu A$

### 3.8.2 Example 2

This is an example of a chart that shows typical values for various voltage and temperature conditions:



### 3.9 Typical value conditions

Typical values assume you meet the following conditions (or other conditions as specified):

Symbol	Description	Value	Unit
$T_A$	Ambient temperature	25	$^{\circ}C$
$V_{DD}$	3.3 V supply voltage	3.3	V

## 4 Ratings

## 4.1 Thermal handling ratings

Symbol	Description	Min.	Max.	Unit	Notes
T <sub>STG</sub>	Storage temperature	-55	150	°C	1
T <sub>SDR</sub>	Solder temperature, lead-free	—	260	°C	2
	Solder temperature, leaded	—	245		

1. Determined according to JEDEC Standard JESD22-A103, *High Temperature Storage Life*.
2. Determined according to IPC/JEDEC Standard J-STD-020, *Moisture/Reflow Sensitivity Classification for Nonhermetic Solid State Surface Mount Devices*.

## 4.2 Moisture handling ratings

Symbol	Description	Min.	Max.	Unit	Notes
MSL	Moisture sensitivity level	—	3	—	1

1. Determined according to IPC/JEDEC Standard J-STD-020, *Moisture/Reflow Sensitivity Classification for Nonhermetic Solid State Surface Mount Devices*.

## 4.3 ESD handling ratings

Symbol	Description	Min.	Max.	Unit	Notes
V <sub>HBM</sub>	Electrostatic discharge voltage, human body model	-2000	+2000	V	1
V <sub>CDM</sub>	Electrostatic discharge voltage, charged-device model	-500	+500	V	2
I <sub>LAT</sub>	Latch-up current at ambient temperature of 105°C	-100	+100	mA	

1. Determined according to JEDEC Standard JESD22-A114, *Electrostatic Discharge (ESD) Sensitivity Testing Human Body Model (HBM)*.
2. Determined according to JEDEC Standard JESD22-C101, *Field-Induced Charged-Device Model Test Method for Electrostatic-Discharge-Withstand Thresholds of Microelectronic Components*.

## 4.4 Voltage and current operating ratings

Symbol	Description	Min.	Max.	Unit
V <sub>DD</sub>	Digital supply voltage	-0.3	3.8	V
I <sub>DD</sub>	Digital supply current	—	185	mA
V <sub>DIO</sub>	Digital input voltage (except RESET, EXTAL, and XTAL)	-0.3	5.5	V

Table continues on the next page...

## General

Symbol	Description	Min.	Max.	Unit
V <sub>AIO</sub>	Analog <sup>1</sup> , $\overline{\text{RESET}}$ , EXTAL, and XTAL input voltage	-0.3	V <sub>DD</sub> + 0.3	V
I <sub>D</sub>	Instantaneous maximum current single pin limit (applies to all port pins)	-25	25	mA
V <sub>DDA</sub>	Analog supply voltage	V <sub>DD</sub> - 0.3	V <sub>DD</sub> + 0.3	V
V <sub>USB_DP</sub>	USB_DP input voltage	-0.3	3.63	V
V <sub>USB_DM</sub>	USB_DM input voltage	-0.3	3.63	V
V <sub>REGIN</sub>	USB regulator input	-0.3	6.0	V
V <sub>BAT</sub>	RTC battery supply voltage	-0.3	3.8	V

1. Analog pins are defined as pins that do not have an associated general purpose I/O port function.

## 5 General

### 5.1 Nonswitching electrical specifications

#### 5.1.1 Voltage and current operating requirements

Table 1. Voltage and current operating requirements

Symbol	Description	Min.	Max.	Unit	Notes
V <sub>DD</sub>	Supply voltage	1.71	3.6	V	
V <sub>DDA</sub>	Analog supply voltage	1.71	3.6	V	
V <sub>DD</sub> - V <sub>DDA</sub>	V <sub>DD</sub> -to-V <sub>DDA</sub> differential voltage	-0.1	0.1	V	
V <sub>SS</sub> - V <sub>SSA</sub>	V <sub>SS</sub> -to-V <sub>SSA</sub> differential voltage	-0.1	0.1	V	
V <sub>BAT</sub>	RTC battery supply voltage	1.71	3.6	V	
V <sub>IH</sub>	Input high voltage <ul style="list-style-type: none"> <li>• 2.7 V ≤ V<sub>DD</sub> ≤ 3.6 V</li> <li>• 1.7 V ≤ V<sub>DD</sub> ≤ 2.7 V</li> </ul>	0.7 × V <sub>DD</sub> 0.75 × V <sub>DD</sub>	— —	V V	
V <sub>IL</sub>	Input low voltage <ul style="list-style-type: none"> <li>• 2.7 V ≤ V<sub>DD</sub> ≤ 3.6 V</li> <li>• 1.7 V ≤ V<sub>DD</sub> ≤ 2.7 V</li> </ul>	— —	0.35 × V <sub>DD</sub> 0.3 × V <sub>DD</sub>	V V	
V <sub>HYS</sub>	Input hysteresis	0.06 × V <sub>DD</sub>	—	V	
I <sub>ICDIO</sub>	Digital pin negative DC injection current — single pin <ul style="list-style-type: none"> <li>• V<sub>IN</sub> &lt; V<sub>SS</sub>-0.3V</li> </ul>	-5	—	mA	1

Table continues on the next page...

**Table 1. Voltage and current operating requirements (continued)**

Symbol	Description	Min.	Max.	Unit	Notes
$I_{ICAIO}$	Analog <sup>2</sup> , EXTAL, and XTAL pin DC injection current — single pin <ul style="list-style-type: none"> <li><math>V_{IN} &lt; V_{SS}-0.3V</math> (Negative current injection)</li> <li><math>V_{IN} &gt; V_{DD}+0.3V</math> (Positive current injection)</li> </ul>	-5 —	— +5	mA	3
$I_{ICcont}$	Contiguous pin DC injection current —regional limit, includes sum of negative injection currents or sum of positive injection currents of 16 contiguous pins <ul style="list-style-type: none"> <li>Negative current injection</li> <li>Positive current injection</li> </ul>	-25 —	— +25	mA	
$V_{RAM}$	$V_{DD}$ voltage required to retain RAM	1.2	—	V	
$V_{RFVBAT}$	$V_{BAT}$ voltage required to retain the VBAT register file	TBD	—	V	

- All 5 volt tolerant digital I/O pins are internally clamped to  $V_{SS}$  through a ESD protection diode. There is no diode connection to  $V_{DD}$ . If  $V_{IN}$  greater than  $V_{DIO\_MIN}$  ( $=V_{SS}-0.3V$ ) is observed, then there is no need to provide current limiting resistors at the pads. If this limit cannot be observed then a current limiting resistor is required. The negative DC injection current limiting resistor is calculated as  $R=(V_{DIO\_MIN}-V_{IN})/|I_{IC}|$ .
- Analog pins are defined as pins that do not have an associated general purpose I/O port function.
- All analog pins are internally clamped to  $V_{SS}$  and  $V_{DD}$  through ESD protection diodes. If  $V_{IN}$  is greater than  $V_{AIO\_MIN}$  ( $=V_{SS}-0.3V$ ) and  $V_{IN}$  is less than  $V_{AIO\_MAX}$  ( $=V_{DD}+0.3V$ ) is observed, then there is no need to provide current limiting resistors at the pads. If these limits cannot be observed then a current limiting resistor is required. The negative DC injection current limiting resistor is calculated as  $R=(V_{AIO\_MIN}-V_{IN})/|I_{IC}|$ . The positive injection current limiting resistor is calculated as  $R=(V_{IN}-V_{AIO\_MAX})/|I_{IC}|$ . Select the larger of these two calculated resistances.

## 5.1.2 LVD and POR operating requirements

**Table 2.  $V_{DD}$  supply LVD and POR operating requirements**

Symbol	Description	Min.	Typ.	Max.	Unit	Notes
$V_{POR}$	Falling VDD POR detect voltage	TBD	1.1	TBD	V	
$V_{LVDH}$	Falling low-voltage detect threshold — high range (LVDV=01)	TBD	2.56	TBD	V	
$V_{LW1H}$	Low-voltage warning thresholds — high range <ul style="list-style-type: none"> <li>Level 1 falling (LVWV=00)</li> </ul>	TBD	2.70	TBD	V	1
$V_{LW2H}$	<ul style="list-style-type: none"> <li>Level 2 falling (LVWV=01)</li> </ul>	TBD	2.80	TBD	V	
$V_{LW3H}$	<ul style="list-style-type: none"> <li>Level 3 falling (LVWV=10)</li> </ul>	TBD	2.90	TBD	V	
$V_{LW4H}$	<ul style="list-style-type: none"> <li>Level 4 falling (LVWV=11)</li> </ul>	TBD	3.00	TBD	V	
$V_{HYSH}$	Low-voltage inhibit reset/recover hysteresis — high range		60		mV	
$V_{LVDL}$	Falling low-voltage detect threshold — low range (LVDV=00)	TBD	1.60	TBD	V	

Table continues on the next page...

**Table 2. V<sub>DD</sub> supply LVD and POR operating requirements (continued)**

Symbol	Description	Min.	Typ.	Max.	Unit	Notes
V <sub>LVW1L</sub>	Low-voltage warning thresholds — low range <ul style="list-style-type: none"> <li>Level 1 falling (LVWV=00)</li> <li>Level 2 falling (LVWV=01)</li> <li>Level 3 falling (LVWV=10)</li> <li>Level 4 falling (LVWV=11)</li> </ul>	TBD	1.80	TBD	V	1
V <sub>LVW2L</sub>		TBD	1.90	TBD	V	
V <sub>LVW3L</sub>		TBD	2.00	TBD	V	
V <sub>LVW4L</sub>		TBD	2.10	TBD	V	
V <sub>HYSL</sub>	Low-voltage inhibit reset/recover hysteresis — low range		40		mV	
V <sub>BG</sub>	Bandgap voltage reference	TBD	1.00	TBD	V	
t <sub>LPO</sub>	Internal low power oscillator period — factory trimmed	TBD	1000	TBD	μs	

1. Rising thresholds are falling threshold + hysteresis voltage

**Table 3. VBAT power operating requirements**

Symbol	Description	Min.	Typ.	Max.	Unit	Notes
V <sub>POR_VBAT</sub>	Falling VBAT supply POR detect voltage	TBD	1.1	TBD	V	

### 5.1.3 Voltage and current operating behaviors

**Table 4. Voltage and current operating behaviors**

Symbol	Description	Min.	Max.	Unit	Notes
V <sub>OH</sub>	Output high voltage — high drive strength <ul style="list-style-type: none"> <li>2.7 V ≤ V<sub>DD</sub> ≤ 3.6 V, I<sub>OH</sub> = -10mA</li> <li>1.71 V ≤ V<sub>DD</sub> ≤ 2.7 V, I<sub>OH</sub> = -3mA</li> </ul>	V <sub>DD</sub> - 0.5	—	V	
		V <sub>DD</sub> - 0.5	—	V	
	Output high voltage — low drive strength <ul style="list-style-type: none"> <li>2.7 V ≤ V<sub>DD</sub> ≤ 3.6 V, I<sub>OH</sub> = -2mA</li> <li>1.71 V ≤ V<sub>DD</sub> ≤ 2.7 V, I<sub>OH</sub> = -0.6mA</li> </ul>	V <sub>DD</sub> - 0.5	—	V	
		V <sub>DD</sub> - 0.5	—	V	
I <sub>OHT</sub>	Output high current total for all ports	—	100	mA	
V <sub>OL</sub>	Output low voltage — high drive strength <ul style="list-style-type: none"> <li>2.7 V ≤ V<sub>DD</sub> ≤ 3.6 V, I<sub>OL</sub> = 10mA</li> <li>1.71 V ≤ V<sub>DD</sub> ≤ 2.7 V, I<sub>OL</sub> = 3mA</li> </ul>	—	0.5	V	
		—	0.5	V	
	Output low voltage — low drive strength <ul style="list-style-type: none"> <li>2.7 V ≤ V<sub>DD</sub> ≤ 3.6 V, I<sub>OL</sub> = 2mA</li> <li>1.71 V ≤ V<sub>DD</sub> ≤ 2.7 V, I<sub>OL</sub> = 0.6mA</li> </ul>	—	0.5	V	
		—	0.5	V	

Table continues on the next page...

**Table 4. Voltage and current operating behaviors (continued)**

Symbol	Description	Min.	Max.	Unit	Notes
$I_{OLT}$	Output low current total for all ports	—	100	mA	
$I_{IN}$	Input leakage current (per pin) for full temperature range	—	1	$\mu$ A	1
$I_{IN}$	Input leakage current (per pin) at 25°C	—	TBD	$\mu$ A	1
$I_{OZ}$	Hi-Z (off-state) leakage current (per pin)	—	1	$\mu$ A	
$R_{PU}$	Internal pullup resistors	20	50	k $\Omega$	2
$R_{PD}$	Internal pulldown resistors	20	50	k $\Omega$	3

1. Measured at  $V_{DD}=3.6V$
2. Measured at  $V_{DD}$  supply voltage =  $V_{DD}$  min and  $V_{input} = V_{SS}$
3. Measured at  $V_{DD}$  supply voltage =  $V_{DD}$  min and  $V_{input} = V_{DD}$

### 5.1.4 Power mode transition operating behaviors

All specifications except  $t_{POR}$ , and  $VLLSx \rightarrow RUN$  recovery times in the following table assume this clock configuration:

- CPU and system clocks = 100 MHz
- Bus clock = 50 MHz
- FlexBus clock = 50 MHz
- Flash clock = 25 MHz

**Table 5. Power mode transition operating behaviors**

Symbol	Description	Min.	Max.	Unit	Notes
$t_{POR}$	After a POR event, amount of time from the point $V_{DD}$ reaches 1.71 V to execution of the first instruction across the operating temperature range of the chip.	—	300	$\mu$ s	1
	RUN $\rightarrow$ VLLS1 $\rightarrow$ RUN				
	• RUN $\rightarrow$ VLLS1	—	4.1	$\mu$ s	
	• VLLS1 $\rightarrow$ RUN	—	123.8	$\mu$ s	
	RUN $\rightarrow$ VLLS2 $\rightarrow$ RUN				
	• RUN $\rightarrow$ VLLS2	—	4.1	$\mu$ s	
	• VLLS2 $\rightarrow$ RUN	—	49.3	$\mu$ s	
	RUN $\rightarrow$ VLLS3 $\rightarrow$ RUN				
	• RUN $\rightarrow$ VLLS3	—	4.1	$\mu$ s	
	• VLLS3 $\rightarrow$ RUN	—	49.2	$\mu$ s	

Table continues on the next page...

**Table 5. Power mode transition operating behaviors (continued)**

Symbol	Description	Min.	Max.	Unit	Notes
	RUN → LLS → RUN <ul style="list-style-type: none"> <li>• RUN → LLS</li> <li>• LLS → RUN</li> </ul>	—	4.1	μs	
		—	5.9	μs	
	RUN → STOP → RUN <ul style="list-style-type: none"> <li>• RUN → STOP</li> <li>• STOP → RUN</li> </ul>	—	4.1	μs	
		—	4.2	μs	
	RUN → VLPS → RUN <ul style="list-style-type: none"> <li>• RUN → VLPS</li> <li>• VLPS → RUN</li> </ul>	—	4.1	μs	
		—	5.8	μs	

1. Normal boot (FTFL\_OPT[LPBOOT]=1)

## 5.1.5 Power consumption operating behaviors

**Table 6. Power consumption operating behaviors**

Symbol	Description	Min.	Typ.	Max.	Unit	Notes
I <sub>DDA</sub>	Analog supply current	—	—	TBD	mA	1
I <sub>DD_RUN</sub>	Run mode current — all peripheral clocks disabled, code executing from flash <ul style="list-style-type: none"> <li>• @ 1.8V</li> <li>• @ 3.0V</li> </ul>	—	40	TBD	mA	2
		—	42	TBD	mA	
I <sub>DD_RUN</sub>	Run mode current — all peripheral clocks enabled, code executing from flash <ul style="list-style-type: none"> <li>• @ 1.8V</li> <li>• @ 3.0V</li> </ul>	—	55	TBD	mA	3
		—	56	TBD	mA	
I <sub>DD_RUN_M AX</sub>	Run mode current — all peripheral clocks enabled and peripherals active, code executing from flash <ul style="list-style-type: none"> <li>• @ 1.8V</li> <li>• @ 3.0V <ul style="list-style-type: none"> <li>• @ 25°C</li> <li>• @ 125°C</li> </ul> </li> </ul>	—	66	TBD	mA	4
		—	66	TBD	mA	
		—	TBD	TBD	mA	
I <sub>DD_WAIT</sub>	Wait mode high frequency current at 3.0 V — all peripheral clocks disabled	—	35	TBD	mA	2
I <sub>DD_WAIT</sub>	Wait mode reduced frequency current at 3.0 V — all peripheral clocks disabled	—	15	TBD	mA	5

Table continues on the next page...



**Table 6. Power consumption operating behaviors (continued)**

Symbol	Description	Min.	Typ.	Max.	Unit	Notes
I <sub>DD_STOP</sub>	Stop mode current at 3.0 V	—	0.4	TBD	mA	
	• @ -40 to 25°C	—	TBD	TBD	mA	
	• @ 70°C	—	TBD	TBD	mA	
	• @ 105°C	—	TBD	TBD	mA	
I <sub>DD_VLPR</sub>	Very-low-power run mode current at 3.0 V — all peripheral clocks disabled	—	1.25	TBD	mA	6
I <sub>DD_VLPR</sub>	Very-low-power run mode current at 3.0 V — all peripheral clocks enabled	—	TBD	TBD	mA	7
I <sub>DD_VLPW</sub>	Very-low-power wait mode current at 3.0 V	—	1.05	TBD	mA	8
I <sub>DD_VLPS</sub>	Very-low-power stop mode current at 3.0 V	—	50	TBD	μA	
	• @ -40 to 25°C	—	TBD	TBD	μA	
	• @ 70°C	—	TBD	TBD	μA	
	• @ 105°C	—	TBD	TBD	μA	
I <sub>DD_LLS</sub>	Low leakage stop mode current at 3.0 V	—	12	TBD	μA	9
	• @ -40 to 25°C	—	TBD	TBD	μA	
	• @ 70°C	—	TBD	TBD	μA	
	• @ 105°C	—	TBD	TBD	μA	
I <sub>DD_VLLS3</sub>	Very low-leakage stop mode 3 current at 3.0 V	—	8	TBD	μA	9
	• @ -40 to 25°C	—	TBD	TBD	μA	
	• @ 70°C	—	TBD	TBD	μA	
	• @ 105°C	—	TBD	TBD	μA	
I <sub>DD_VLLS2</sub>	Very low-leakage stop mode 2 current at 3.0 V	—	4	TBD	μA	
	• @ -40 to 25°C	—	TBD	TBD	μA	
	• @ 70°C	—	TBD	TBD	μA	
	• @ 105°C	—	TBD	TBD	μA	
I <sub>DD_VLLS1</sub>	Very low-leakage stop mode 1 current at 3.0 V	—	2	TBD	μA	
	• @ -40 to 25°C	—	TBD	TBD	μA	
	• @ 70°C	—	TBD	TBD	μA	
	• @ 105°C	—	TBD	TBD	μA	
I <sub>DD_VBAT</sub>	Average current when CPU is not accessing RTC registers at 3.0 V	—	0.7	TBD	μA	10
	• @ -40 to 25°C	—	TBD	TBD	μA	
	• @ 70°C	—	TBD	TBD	μA	
	• @ 105°C	—	TBD	TBD	μA	

1. The analog supply current is the sum of the active or disabled current for each of the analog modules on the device. See each module's specification for its supply current.

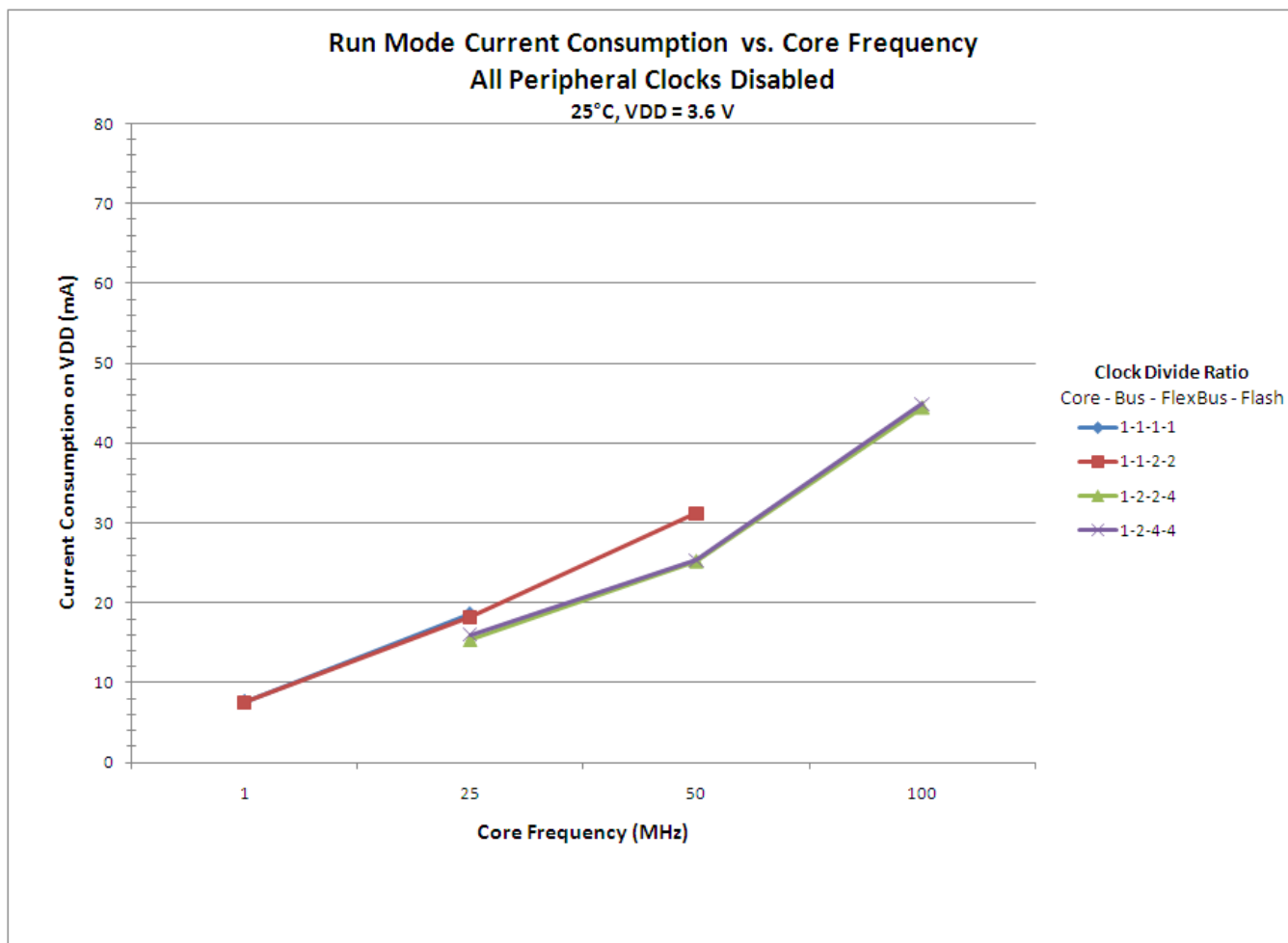
## General

- 100MHz core and system clock, 50MHz bus and FlexBus clock, and 25MHz flash clock . MCG configured for FEI mode. All peripheral clocks disabled.
- 100MHz core and system clock, 50MHz bus and FlexBus clock, and 25MHz flash clock. MCG configured for FEI mode. All peripheral clocks enabled, but peripherals are not in active operation.
- 100MHz core and system clock, 50MHz bus and FlexBus clock, and 25MHz flash clock. MCG configured for FEI mode. All peripheral clocks enabled, and peripherals are in active operation.
- 25MHz core and system clock, 25MHz bus clock, and 12.5MHz FlexBus and flash clock. MCG configured for FEI mode.
- 2 MHz core, system, FlexBus, and bus clock and 1MHz flash clock. MCG configured for BLPE mode. All peripheral clocks disabled. Code executing from flash.
- 2 MHz core, system, FlexBus, and bus clock and 1MHz flash clock. MCG configured for BLPE mode. All peripheral clocks enabled but peripherals are not in active operation. Code executing from flash.
- 2 MHz core, system, FlexBus, and bus clock and 1MHz flash clock. MCG configured for BLPE mode. All peripheral clocks disabled.
- Data reflects devices with 128 KB of RAM. For devices with 64 KB of RAM, power consumption is reduced by 2  $\mu$ A.
- Includes 32kHz oscillator current and RTC operation.

### 5.1.5.1 Diagram: Typical IDD\_RUN operating behavior

The following data was measured under these conditions:

- MCG in FEI mode (39.0625 kHz IRC), except for 1 MHz core (FBE)
- All peripheral clocks disabled except FTFL
- LVD disabled, USB regulator disabled
- No GPIOs toggled
- Code execution from flash



**Figure 1. Run mode supply current vs. core frequency — all peripheral clocks disabled**

The following data was measured under these conditions:

- MCG in FEI mode (39.0625 kHz IRC), except for 1 MHz core (FBE)
- All peripheral clocks enabled but peripherals are not in active operation
- LVD disabled, USB regulator disabled
- No GPIOs toggled
- Code execution from flash

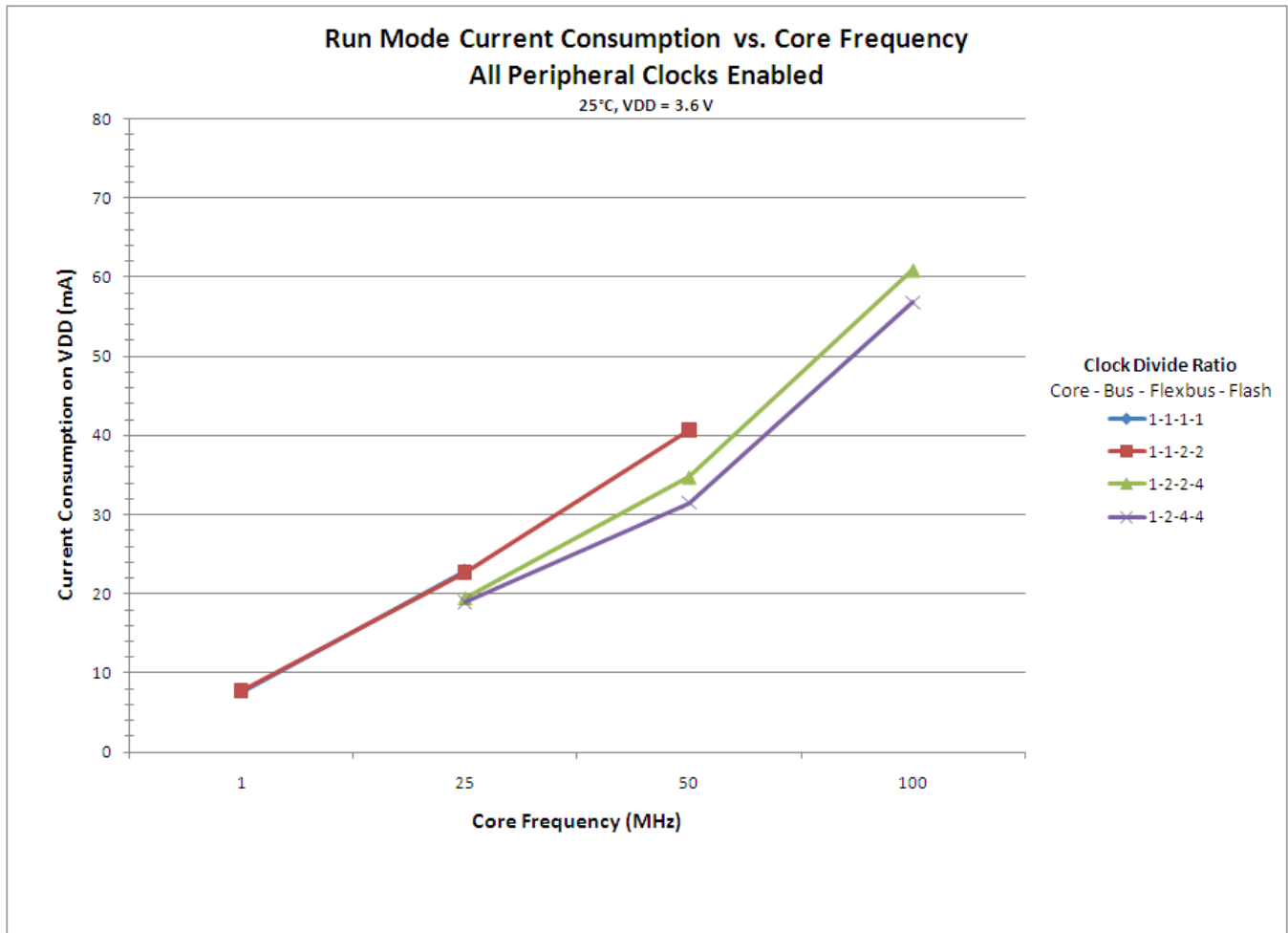


Figure 2. Run mode supply current vs. core frequency — all peripheral clocks enabled

### 5.1.6 EMC radiated emissions operating behaviors

Table 7. EMC radiated emissions operating behaviors

Symbol	Description	Frequency band (MHz)	Typ.	Unit	Notes
V <sub>RE1</sub>	Radiated emissions voltage, band 1	0.15–50	TBD	dBμV	1, 2
V <sub>RE2</sub>	Radiated emissions voltage, band 2	50–150	TBD	dBμV	
V <sub>RE3</sub>	Radiated emissions voltage, band 3	150–500	TBD	dBμV	
V <sub>RE4</sub>	Radiated emissions voltage, band 4	500–1000	TBD	dBμV	
V <sub>RE_IEC_SAE</sub>	IEC and SAE level	0.15–1000	TBD	—	2, 3

1. Determined according to IEC Standard 61967-1, *Integrated Circuits - Measurement of Electromagnetic Emissions, 150 kHz to 1 GHz Part 1: General Conditions and Definitions*, IEC Standard 61967-2, *Integrated Circuits - Measurement of Electromagnetic Emissions, 150 kHz to 1 GHz Part 2: Measurement of Radiated Emissions—TEM Cell and Wideband TEM Cell Method*, and SAE Standard J1752-3, *Measurement of Radiated Emissions from Integrated Circuits—TEM/ Wideband TEM (GTEM) Cell Method*.
2. V<sub>DD</sub> = 3 V, T<sub>A</sub> = 25 °C, f<sub>OSC</sub> = 12 MHz (crystal), f<sub>SYS</sub> = 96 MHz

3. Specified according to Annex D of IEC Standard 61967-2, *Measurement of Radiated Emissions—TEM Cell and Wideband TEM Cell Method*, and Appendix D of SAE Standard J1752-3, *Measurement of Radiated Emissions from Integrated Circuits—TEM/Wideband TEM (GTEM) Cell Method*.

## 5.1.7 Designing with radiated emissions in mind

To find application notes that provide guidance on designing your system to minimize interference from radiated emissions:

1. Go to <http://www.freescale.com>.
2. Perform a keyword search for “EMC design.”

## 5.1.8 Capacitance attributes

**Table 8. Capacitance attributes**

Symbol	Description	Min.	Max.	Unit
C <sub>IN_A</sub>	Input capacitance: analog pins	—	7	pF
C <sub>IN_D</sub>	Input capacitance: digital pins	—	7	pF

## 5.2 Switching specifications

### 5.2.1 Device clock specifications

**Table 9. Device clock specifications**

Symbol	Description	Min.	Max.	Unit	Notes
Normal run mode					
f <sub>SYS</sub>	System and core clock	—	100	MHz	
f <sub>SYS_USB</sub>	System and core clock when Full Speed USB in operation	20	—	MHz	
f <sub>ENET</sub>	System and core clock when ethernet in operation	TBD	—	MHz	
f <sub>BUS</sub>	Bus clock	—	50	MHz	
FB_CLK	FlexBus clock	—	50	MHz	
f <sub>FLASH</sub>	Flash clock	—	25	MHz	
f <sub>LPTMR</sub>	LPTMR clock	—	25	MHz	
VLPR mode					
f <sub>SYS</sub>	System and core clock	—	2	MHz	
f <sub>BUS</sub>	Bus clock	—	2	MHz	

*Table continues on the next page...*

**Table 9. Device clock specifications (continued)**

Symbol	Description	Min.	Max.	Unit	Notes
FB_CLK	FlexBus clock	—	2	MHz	
f <sub>FLASH</sub>	Flash clock	—	1	MHz	
f <sub>LPTMR</sub>	LPTMR clock	—	25	MHz	

## 5.2.2 General switching specifications

These general purpose specifications apply to all signals configured for GPIO, UART, CAN, CMT, IEEE 1588 timer, and I<sup>2</sup>C signals.

**Table 10. General switching specifications**

Symbol	Description	Min.	Max.	Unit	Notes
	GPIO pin interrupt pulse width (digital glitch filter disabled) — Synchronous path	1.5	—	Bus clock cycles	1
	GPIO pin interrupt pulse width (digital glitch filter disabled, analog filter enabled) — Asynchronous path	100	—	ns	2
	GPIO pin interrupt pulse width (digital glitch filter disabled, analog filter disabled) — Asynchronous path	16	—	ns	2
	External reset pulse width (digital glitch filter disabled)	100	—	ns	2
	Mode select ( $\overline{\text{EZP\_CS}}$ ) hold time after reset deassertion	2	—	Bus clock cycles	
	Port rise and fall time (high drive strength) <ul style="list-style-type: none"> <li>Slew disabled <ul style="list-style-type: none"> <li><math>1.71 \leq V_{DD} \leq 2.7V</math></li> <li><math>2.7 \leq V_{DD} \leq 3.6V</math></li> </ul> </li> <li>Slew enabled <ul style="list-style-type: none"> <li><math>1.71 \leq V_{DD} \leq 2.7V</math></li> <li><math>2.7 \leq V_{DD} \leq 3.6V</math></li> </ul> </li> </ul>	— —	12 TBD	ns ns	3
	Port rise and fall time (low drive strength) <ul style="list-style-type: none"> <li>Slew disabled <ul style="list-style-type: none"> <li><math>1.71 \leq V_{DD} \leq 2.7V</math></li> <li><math>2.7 \leq V_{DD} \leq 3.6V</math></li> </ul> </li> <li>Slew enabled <ul style="list-style-type: none"> <li><math>1.71 \leq V_{DD} \leq 2.7V</math></li> <li><math>2.7 \leq V_{DD} \leq 3.6V</math></li> </ul> </li> </ul>	— —	32 TBD	ns ns	4
	<ul style="list-style-type: none"> <li>Slew disabled <ul style="list-style-type: none"> <li><math>1.71 \leq V_{DD} \leq 2.7V</math></li> <li><math>2.7 \leq V_{DD} \leq 3.6V</math></li> </ul> </li> <li>Slew enabled <ul style="list-style-type: none"> <li><math>1.71 \leq V_{DD} \leq 2.7V</math></li> <li><math>2.7 \leq V_{DD} \leq 3.6V</math></li> </ul> </li> </ul>	— —	36 TBD	ns ns	

1. The greater synchronous and asynchronous timing must be met.
2. This is the shortest pulse that is guaranteed to be recognized.
3. 75pF load
4. 15pF load

## 5.3 Thermal specifications

### 5.3.1 Thermal operating requirements

Table 11. Thermal operating requirements

Symbol	Description	Min.	Max.	Unit
$T_J$	Die junction temperature	-40	125	°C
$T_A$	Ambient temperature	-40	105	°C

### 5.3.2 Thermal attributes

Board type	Symbol	Description	100 LQFP	Unit	Notes
Single-layer (1s)	$R_{\theta JA}$	Thermal resistance, junction to ambient (natural convection)	TBD	°C/W	1
Four-layer (2s2p)	$R_{\theta JA}$	Thermal resistance, junction to ambient (natural convection)	TBD	°C/W	1
Single-layer (1s)	$R_{\theta JMA}$	Thermal resistance, junction to ambient (200 ft./min. air speed)	TBD	°C/W	1
Four-layer (2s2p)	$R_{\theta JMA}$	Thermal resistance, junction to ambient (200 ft./min. air speed)	TBD	°C/W	1
—	$R_{\theta JB}$	Thermal resistance, junction to board	TBD	°C/W	2
—	$R_{\theta JC}$	Thermal resistance, junction to case	TBD	°C/W	3

Table continues on the next page...

## Peripheral operating requirements and behaviors

Board type	Symbol	Description	100 LQFP	Unit	Notes
—	$\Psi_{JT}$	Thermal characterization parameter, junction to package top outside center (natural convection)	TBD	°C/W	4

1. Determined according to JEDEC Standard JESD51-2, *Integrated Circuits Thermal Test Method Environmental Conditions—Natural Convection (Still Air)*, or EIA/JEDEC Standard JESD51-6, *Integrated Circuit Thermal Test Method Environmental Conditions—Forced Convection (Moving Air)*.
2. Determined according to JEDEC Standard JESD51-8, *Integrated Circuit Thermal Test Method Environmental Conditions—Junction-to-Board*.
3. Determined according to Method 1012.1 of MIL-STD 883, *Test Method Standard, Microcircuits*, with the cold plate temperature used for the case temperature. The value includes the thermal resistance of the interface material between the top of the package and the cold plate.
4. Determined according to JEDEC Standard JESD51-2, *Integrated Circuits Thermal Test Method Environmental Conditions—Natural Convection (Still Air)*.

## 6 Peripheral operating requirements and behaviors

All digital I/O switching characteristics assume:

1. output pins
  - have  $C_L=30\text{pF}$  loads,
  - are configured for fast slew rate ( $\text{PORTx\_PCRn[SRE]}=0$ ), and
  - are configured for high drive strength ( $\text{PORTx\_PCRn[DSE]}=1$ )
2. input pins
  - have their passive filter disabled ( $\text{PORTx\_PCRn[PFE]}=0$ )

### 6.1 Core modules

#### 6.1.1 Debug trace timing specifications

Table 12. Debug trace operating behaviors

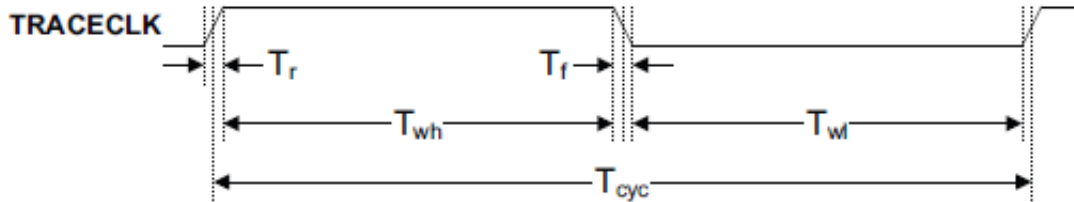
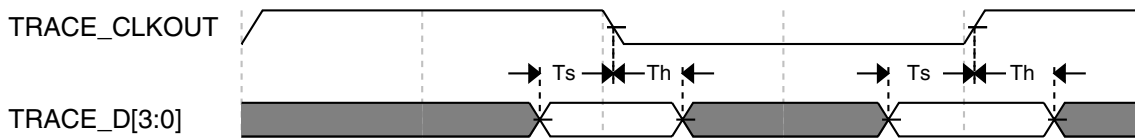
Symbol	Description	Min.	Max.	Unit
$T_{\text{cyc}}$	Clock period	Frequency dependent		MHz
$T_{\text{wl}}$	Low pulse width	2	—	ns
$T_{\text{wh}}$	High pulse width	2	—	ns
$T_{\text{r}}$	Clock and data rise time	—	3	ns
$T_{\text{f}}$	Clock and data fall time	—	3	ns

Table continues on the next page...



**Table 12. Debug trace operating behaviors (continued)**

Symbol	Description	Min.	Max.	Unit
$T_s$	Data setup	3	—	ns
$T_h$	Data hold	2	—	ns

**Figure 3. TRACE\_CLKOUT specifications****Figure 4. Trace data specifications**

## 6.1.2 JTAG electricals

**Table 13. JTAG limited voltage range electricals**

Symbol	Description	Min.	Max.	Unit
	Operating voltage	2.7	3.6	V
J1	TCLK frequency of operation <ul style="list-style-type: none"> <li>Boundary Scan</li> <li>JTAG and CJTAG</li> <li>Serial Wire Debug</li> </ul>	0 0 0	10 25 50	MHz
J2	TCLK cycle period	1/J1	—	ns
J3	TCLK clock pulse width <ul style="list-style-type: none"> <li>Boundary Scan</li> <li>JTAG and CJTAG</li> <li>Serial Wire Debug</li> </ul>	50 20 10	— — —	ns ns ns
J4	TCLK rise and fall times	—	3	ns
J5	Boundary scan input data setup time to TCLK rise	20	—	ns
J6	Boundary scan input data hold time after TCLK rise	0	—	ns

Table continues on the next page...

**Table 13. JTAG limited voltage range electricals (continued)**

Symbol	Description	Min.	Max.	Unit
J7	TCLK low to boundary scan output data valid	—	25	ns
J8	TCLK low to boundary scan output high-Z	—	25	ns
J9	TMS, TDI input data setup time to TCLK rise	8	—	ns
J10	TMS, TDI input data hold time after TCLK rise	1	—	ns
J11	TCLK low to TDO data valid	—	17	ns
J12	TCLK low to TDO high-Z	—	17	ns
J13	TRST assert time	100	—	ns
J14	TRST setup time (negation) to TCLK high	8	—	ns

**Table 14. JTAG full voltage range electricals**

Symbol	Description	Min.	Max.	Unit
	Operating voltage	1.71	3.6	V
J1	TCLK frequency of operation <ul style="list-style-type: none"> <li>• Boundary Scan</li> <li>• JTAG and CJTAG</li> <li>• Serial Wire Debug</li> </ul>	0 0 0	10 20 40	MHz
J2	TCLK cycle period	1/J1	—	ns
J3	TCLK clock pulse width <ul style="list-style-type: none"> <li>• Boundary Scan</li> <li>• JTAG and CJTAG</li> <li>• Serial Wire Debug</li> </ul>	50 25 12.5	— — —	ns ns ns
J4	TCLK rise and fall times	—	3	ns
J5	Boundary scan input data setup time to TCLK rise	20	—	ns
J6	Boundary scan input data hold time after TCLK rise	0	—	ns
J7	TCLK low to boundary scan output data valid	—	25	ns
J8	TCLK low to boundary scan output high-Z	—	25	ns
J9	TMS, TDI input data setup time to TCLK rise	8	—	ns
J10	TMS, TDI input data hold time after TCLK rise	1.4	—	ns
J11	TCLK low to TDO data valid	—	22.1	ns
J12	TCLK low to TDO high-Z	—	22.1	ns
J13	TRST assert time	100	—	ns
J14	TRST setup time (negation) to TCLK high	8	—	ns

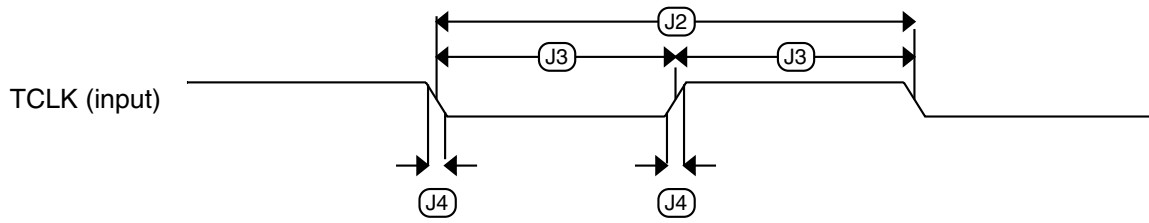


Figure 5. Test clock input timing

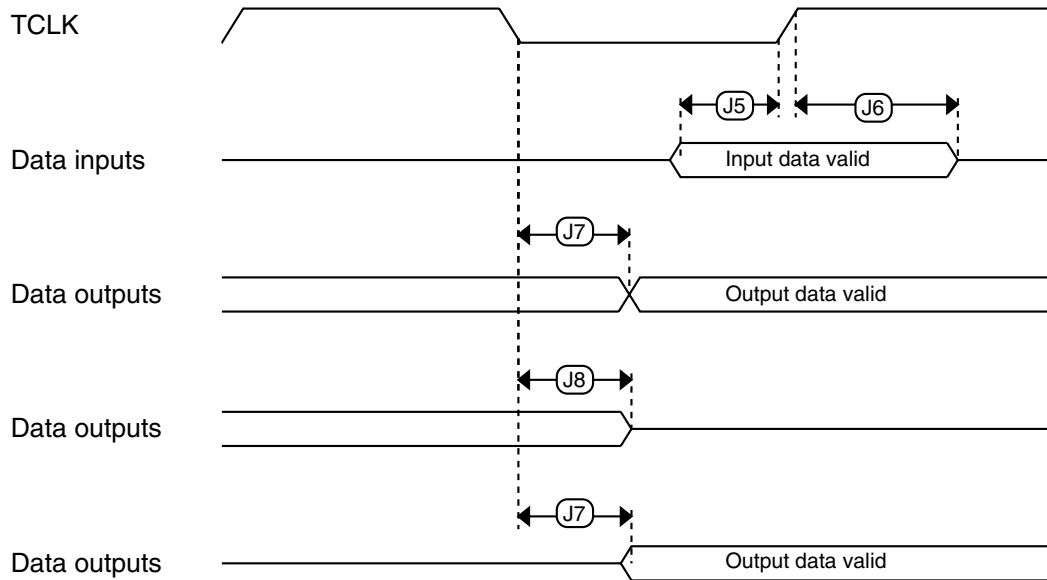


Figure 6. Boundary scan (JTAG) timing

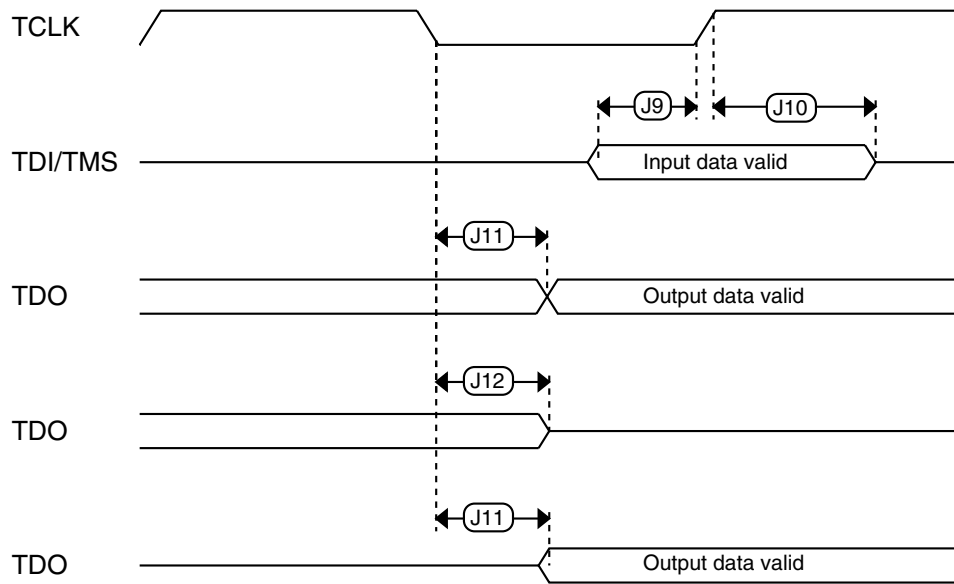


Figure 7. Test Access Port timing

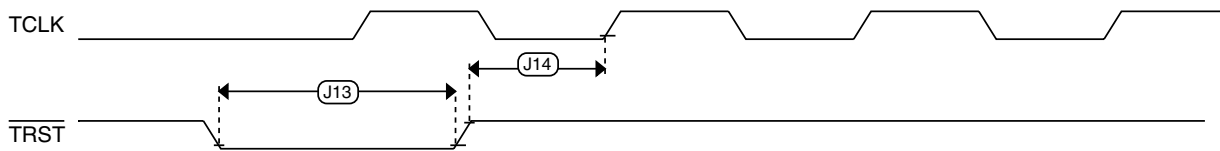


Figure 8.  $\overline{\text{TRST}}$  timing

## 6.2 System modules

There are no specifications necessary for the device's system modules.

## 6.3 Clock modules

## 6.3.1 MCG specifications

**Table 15. MCG specifications**

Symbol	Description	Min.	Typ.	Max.	Unit	Notes	
$f_{ints\_ft}$	Internal reference frequency (slow clock) — factory trimmed at nominal VDD and 25°C	—	32.768	—	kHz		
$f_{ints\_t}$	Internal reference frequency (slow clock) — user trimmed	31.25	—	39.0625	kHz		
$I_{ints}$	Internal reference (slow clock) current	—	TBD	—	μA		
$t_{irefst}$	Internal reference (slow clock) startup time	—	TBD	4	μs	1	
$\Delta f_{dco\_res\_t}$	Resolution of trimmed DCO output frequency at fixed voltage and temperature — using SCTRIM and SCFTRIM	—	± 0.1	± 0.3	% $f_{dco}$	2	
$\Delta f_{dco\_res\_t}$	Resolution of trimmed DCO output frequency at fixed voltage and temperature — using SCTRIM only	—	± 0.2	± 0.5	% $f_{dco}$	2	
$\Delta f_{dco\_t}$	Total deviation of trimmed average DCO output frequency over voltage and temperature	—	+ 0.5 - 1.0	± 3.5	% $f_{dco}$	2	
$\Delta f_{dco\_t}$	Total deviation of trimmed average DCO output frequency over fixed voltage and temperature range of 0–70°C	—	± 0.5	± TBD	% $f_{dco}$	2	
$f_{intf\_ft}$	Internal reference frequency (fast clock) — factory trimmed at nominal VDD and 25°C	3.4	—	4	MHz		
$f_{intf\_t}$	Internal reference frequency (fast clock) — user trimmed	3	—	5	MHz		
$I_{intf}$	Internal reference (fast clock) current	—	TBD	—	μA		
$t_{irefstf}$	Internal reference startup time (fast clock)	—	TBD	TBD	μs	1	
$f_{loc\_low}$	Loss of external clock minimum frequency — RANGE = 00	$(3/5) \times f_{ints\_t}$	—	—	kHz		
$f_{loc\_high}$	Loss of external clock minimum frequency — RANGE = 01, 10, or 11	$(16/5) \times f_{ints\_t}$	—	—	kHz		
FLL							
$f_{fill\_ref}$	FLL reference frequency range	31.25	—	39.0625	kHz		
$f_{dco}$	DCO output frequency range	Low range (DRS=00) $640 \times f_{fill\_ref}$	20	20.97	25	MHz	3, 4
		Mid range (DRS=01) $1280 \times f_{fill\_ref}$	40	41.94	50	MHz	
		Mid-high range (DRS=10) $1920 \times f_{fill\_ref}$	60	62.91	75	MHz	
		High range (DRS=11) $2560 \times f_{fill\_ref}$	80	83.89	100	MHz	

Table continues on the next page...

**Table 15. MCG specifications (continued)**

Symbol	Description	Min.	Typ.	Max.	Unit	Notes	
$f_{\text{dco\_t\_DMX32}}$	DCO output frequency	Low range (DRS=00) $732 \times f_{\text{fil\_ref}}$	—	23.99	—	MHz	5, 6
		Mid range (DRS=01) $1464 \times f_{\text{fil\_ref}}$	—	47.97	—	MHz	
		Mid-high range (DRS=10) $2197 \times f_{\text{fil\_ref}}$	—	71.99	—	MHz	
		High range (DRS=11) $2929 \times f_{\text{fil\_ref}}$	—	95.98	—	MHz	
$J_{\text{cyc\_fil}}$	FLL period jitter	—	TBD	TBD	ps	7	
$J_{\text{acc\_fil}}$	FLL accumulated jitter of DCO output over a 1 $\mu$ s time window	—	TBD	TBD	ps	7	
$t_{\text{fil\_acquire}}$	FLL target frequency acquisition time	—	—	1	ms	8	
PLL							
$f_{\text{vco}}$	VCO operating frequency	48.0	—	100	MHz		
$I_{\text{pll}}$	PLL operating current • PLL @ 96 MHz ( $f_{\text{osc\_hi\_1}} = 8$ MHz, $f_{\text{pll\_ref}} = 2$ MHz, VDIV multiplier = 48)	—	1060	—	$\mu$ A	9	
$I_{\text{pll}}$	PLL operating current • PLL @ 48 MHz ( $f_{\text{osc\_hi\_1}} = 8$ MHz, $f_{\text{pll\_ref}} = 2$ MHz, VDIV multiplier = 24)	—	600	—	$\mu$ A	9	
$f_{\text{pll\_ref}}$	PLL reference frequency range	2.0	—	4.0	MHz		
$J_{\text{cyc\_pll}}$	PLL period jitter (RMS) • $f_{\text{vco}} = 48$ MHz • $f_{\text{vco}} = 100$ MHz	—	120	—	ps	10	
		—	50	—	ps		
$J_{\text{acc\_pll}}$	PLL accumulated jitter over 1 $\mu$ s (RMS) • $f_{\text{vco}} = 48$ MHz • $f_{\text{vco}} = 100$ MHz	—	1350	—	ps	10	
		—	600	—	ps		
$D_{\text{lock}}$	Lock entry frequency tolerance	$\pm 1.49$	—	$\pm 2.98$	%		
$D_{\text{unl}}$	Lock exit frequency tolerance	$\pm 4.47$	—	$\pm 5.97$	%		
$t_{\text{pll\_lock}}$	Lock detector detection time	—	—	$0.15 + 1075(1/f_{\text{pll\_ref}})$	ms	11	

1. The startup time is defined as the time between the IRC being enabled, either by the MCG or by the IRCLKEN bit being set, and the first edge of the internal reference clock.
2. This parameter is measured with the internal reference (slow clock) being used as a reference to the FLL (FEI clock mode).
3. These typical values listed are with the slow internal reference clock (FEI) using factory trim and DMX32=0.
4. The resulting system clock frequencies should not exceed their maximum specified values. The DCO frequency deviation ( $\Delta f_{\text{dco\_t}}$ ) over voltage and temperature should be considered.

5. These typical values listed are with the slow internal reference clock (FEI) using factory trim and DMX32=1.
6. The resulting clock frequency must not exceed the maximum specified clock frequency of the device.
7. This specification was obtained at TBD frequency.
8. This specification applies to any time the FLL reference source or reference divider is changed, trim value is changed, DMX32 bit is changed, DRS bits are changed, or changing from FLL disabled (BLPE, BLPI) to FLL enabled (FEI, FEE, FBE, FBI). If a crystal/resonator is being used as the reference, this specification assumes it is already running.
9. Excludes any oscillator currents that are also consuming power while PLL is in operation.
10. This specification was obtained using a Freescale developed PCB. PLL jitter is dependent on the noise characteristics of each PCB and results will vary.
11. This specification applies to any time the PLL VCO divider or reference divider is changed, or changing from PLL disabled (BLPE, BLPI) to PLL enabled (PBE, PEE). If a crystal/resonator is being used as the reference, this specification assumes it is already running.

## 6.3.2 Oscillator electrical specifications

This section provides the electrical characteristics of the module.

### 6.3.2.1 Oscillator DC electrical specifications

Table 16. Oscillator DC electrical specifications

Symbol	Description	Min.	Typ.	Max.	Unit	Notes
$V_{DD}$	Supply voltage	1.71	—	3.6	V	
$I_{DDOSC}$	Supply current — low-power mode (HGO=0) <ul style="list-style-type: none"> <li>• 32 kHz</li> <li>• 4 MHz</li> <li>• 8 MHz (only RANGE=01)</li> <li>• 16 MHz</li> <li>• 24 MHz</li> <li>• 32 MHz</li> </ul>	—	500	—	nA	1
$I_{DDOSC}$	Supply current — high gain mode (HGO=1) <ul style="list-style-type: none"> <li>• 32 kHz</li> <li>• 4 MHz</li> <li>• 8 MHz (only RANGE=01)</li> <li>• 16 MHz</li> <li>• 24 MHz</li> <li>• 32 MHz</li> </ul>	—	25	—	$\mu$ A	1
$C_x$	EXTAL load capacitance	—	—	—		2, 3
$C_y$	XTAL load capacitance	—	—	—		2, 3

Table continues on the next page...

**Table 16. Oscillator DC electrical specifications (continued)**

Symbol	Description	Min.	Typ.	Max.	Unit	Notes
R <sub>F</sub>	Feedback resistor — low-frequency, low-power mode (HGO=0)	—	—	—	MΩ	2, 4
	Feedback resistor — low-frequency, high-gain mode (HGO=1)	—	10	—	MΩ	
	Feedback resistor — high-frequency, low-power mode (HGO=0)	—	—	—	MΩ	
	Feedback resistor — high-frequency, high-gain mode (HGO=1)	—	1	—	MΩ	
R <sub>S</sub>	Series resistor — low-frequency, low-power mode (HGO=0)	—	—	—	kΩ	
	Series resistor — low-frequency, high-gain mode (HGO=1)	—	200	—	kΩ	
	Series resistor — high-frequency, low-power mode (HGO=0)	—	—	—	kΩ	
	Series resistor — high-frequency, high-gain mode (HGO=1)	—	0	—	kΩ	
V <sub>pp</sub> <sup>5</sup>	Peak-to-peak amplitude of oscillation (oscillator mode) — low-frequency, low-power mode (HGO=0)	—	0.6	—	V	
	Peak-to-peak amplitude of oscillation (oscillator mode) — low-frequency, high-gain mode (HGO=1)	—	V <sub>DD</sub>	—	V	
	Peak-to-peak amplitude of oscillation (oscillator mode) — high-frequency, low-power mode (HGO=0)	—	0.6	—	V	
	Peak-to-peak amplitude of oscillation (oscillator mode) — high-frequency, high-gain mode (HGO=1)	—	V <sub>DD</sub>	—	V	

- V<sub>DD</sub>=3.3 V, Temperature =25 °C
- See crystal or resonator manufacturer's recommendation
- C<sub>x</sub>,C<sub>y</sub> can be provided by using either the integrated capacitors or by using external components.
- When low power mode is selected, R<sub>F</sub> is integrated and must not be attached externally.
- The EXTAL and XTAL pins should only be connected to required oscillator components and must not be connected to any other devices.

### 6.3.2.2 Oscillator frequency specifications

**Table 17. Oscillator frequency specifications**

Symbol	Description	Min.	Typ.	Max.	Unit	Notes
f <sub>osc_lo</sub>	Oscillator crystal or resonator frequency — low frequency mode (MCG_C2[RANGE]=00)	32	—	40	kHz	

Table continues on the next page...



**Table 17. Oscillator frequency specifications (continued)**

Symbol	Description	Min.	Typ.	Max.	Unit	Notes
$f_{osc\_hi\_1}$	Oscillator crystal or resonator frequency — high frequency mode (low range) (MCG_C2[RANGE]=01)	3	—	8	MHz	
$f_{osc\_hi\_2}$	Oscillator crystal or resonator frequency — high frequency mode (high range) (MCG_C2[RANGE]=1x)	8	—	32	MHz	
$f_{ec\_extal}$	Input clock frequency (external clock mode)	—	—	50	MHz	1
$t_{dc\_extal}$	Input clock duty cycle (external clock mode)	40	50	60	%	
$t_{cst}$	Crystal startup time — 32 kHz low-frequency, low-power mode (HGO=0)	—	750	—	ms	2, 3
	Crystal startup time — 32 kHz low-frequency, high-gain mode (HGO=1)	—	250	—	ms	
	Crystal startup time — 8 MHz high-frequency (MCG_C2[RANGE]=01), low-power mode (HGO=0)	—	0.6	—	ms	
	Crystal startup time — 8 MHz high-frequency (MCG_C2[RANGE]=01), high-gain mode (HGO=1)	—	1	—	ms	

1. Other frequency limits may apply when external clock is being used as a reference for the FLL or PLL.
2. Proper PC board layout procedures must be followed to achieve specifications.
3. Crystal startup time is defined as the time between the oscillator being enabled and the OSCINIT bit in the MCG\_S register being set.

### 6.3.3 32kHz Oscillator Electrical Characteristics

This section describes the module electrical characteristics.

#### 6.3.3.1 32kHz oscillator DC electrical specifications

**Table 18. 32kHz oscillator DC electrical specifications**

Symbol	Description	Min.	Typ.	Max.	Unit
$V_{BAT}$	Supply voltage	1.71	—	3.6	V
$R_F$	Internal feedback resistor	—	100	—	M $\Omega$
$C_{para}$	Parasitical capacitance of EXTAL32 and XTAL32	—	2.5	—	pF
$C_{load}$	Internal load capacitance (programmable)	—	15	—	pF
$V_{pp}^1$	Peak-to-peak amplitude of oscillation	—	0.6	—	V

1. The EXTAL32 and XTAL32 pins should only be connected to required oscillator components and must not be connected to any other devices.

### 6.3.3.2 32kHz oscillator frequency specifications

Table 19. 32kHz oscillator frequency specifications

Symbol	Description	Min.	Typ.	Max.	Unit	Notes
$f_{osc\_lo}$	Oscillator crystal	—	32.768	—	kHz	
$t_{start}$	Crystal start-up time	—	1000	—	ms	1

1. Proper PC board layout procedures must be followed to achieve specifications.

## 6.4 Memories and memory interfaces

### 6.4.1 Flash (FTFL) electrical specifications

This section describes the electrical characteristics of the FTFL module.

#### 6.4.1.1 Flash timing specifications — program and erase

The following specifications represent the amount of time the internal charge pumps are active and do not include command overhead.

Table 20. NVM program/erase timing specifications

Symbol	Description	Min.	Typ.	Max.	Unit	Notes
$t_{hvp4}$	Longword Program high-voltage time	—	20	TBD	$\mu$ s	
$t_{hversscr}$	Sector Erase high-voltage time	—	20	100	ms	1
$t_{hversblk256k}$	Erase Block high-voltage time for 256 KB	—	160	800	ms	1

1. Maximum time based on expectations at cycling end-of-life.

#### 6.4.1.2 Flash timing specifications — commands

Table 21. Flash command timing specifications

Symbol	Description	Min.	Typ.	Max.	Unit	Notes
$t_{rd1blk256k}$	Read 1s Block execution time • 256 KB data flash	—	—	1.4	ms	
$t_{rd1sec2k}$	Read 1s Section execution time (flash sector)	—	—	40	$\mu$ s	1
$t_{pgmchk}$	Program Check execution time	—	—	35	$\mu$ s	1
$t_{rdsrc}$	Read Resource execution time	—	—	35	$\mu$ s	1
$t_{pgm4}$	Program Longword execution time	—	50	TBD	$\mu$ s	

Table continues on the next page...

**Table 21. Flash command timing specifications (continued)**

Symbol	Description	Min.	Typ.	Max.	Unit	Notes
$t_{ersblk256k}$	Erase Flash Block execution time • 256 KB data flash	—	160	800	ms	2
$t_{ersscr}$	Erase Flash Sector execution time	—	20	100	ms	2
$t_{pgmsec512}$	Program Section execution time • 512 B flash	—	TBD	TBD	ms	
$t_{pgmsec1k}$	• 1 KB flash	—	TBD	TBD	ms	
$t_{pgmsec2k}$	• 2 KB flash	—	TBD	TBD	ms	
$t_{rd1all}$	Read 1s All Blocks execution time	—	—	2.8	ms	
$t_{rdonce}$	Read Once execution time	—	—	35	$\mu$ s	1
$t_{pgmonce}$	Program Once execution time	—	50	TBD	$\mu$ s	
$t_{ersall}$	Erase All Blocks execution time	—	320	1600	ms	2
$t_{vfykey}$	Verify Backdoor Access Key execution time	—	—	35	$\mu$ s	1
$t_{swapx01}$	Swap Control execution time • control code 0x01	—	TBD	TBD	$\mu$ s	
$t_{swapx02}$	• control code 0x02	—	TBD	TBD	$\mu$ s	
$t_{swapx04}$	• control code 0x04	—	TBD	TBD	$\mu$ s	
$t_{swapx08}$	• control code 0x08	—	TBD	TBD	$\mu$ s	
$t_{pgmpart256k}$	Program Partition for EEPROM execution time • 256 KB FlexNVM	—	175	TBD	ms	
$t_{setram32k}$	Set FlexRAM Function execution time: • 32 KB EEPROM backup	—	TBD	TBD	ms	
$t_{setram256k}$	• 256 KB EEPROM backup	—	TBD	TBD	ms	
Byte-write to FlexRAM for EEPROM operation						
$t_{eewr8bers}$	Byte-write to erased FlexRAM location execution time	—	100	TBD	$\mu$ s	3
$t_{eewr8b32k}$	Byte-write to FlexRAM execution time: • 32 KB EEPROM backup	—	TBD	TBD	ms	
$t_{eewr8b64k}$	• 64 KB EEPROM backup	—	TBD	1.5	ms	
$t_{eewr8b128k}$	• 128 KB EEPROM backup	—	TBD	TBD	ms	
$t_{eewr8b256k}$	• 256 KB EEPROM backup	—	TBD	2.5	ms	
Word-write to FlexRAM for EEPROM operation						
$t_{eewr16bers}$	Word-write to erased FlexRAM location execution time	—	100	TBD	$\mu$ s	

*Table continues on the next page...*

**Table 21. Flash command timing specifications (continued)**

Symbol	Description	Min.	Typ.	Max.	Unit	Notes
	Word-write to FlexRAM execution time:					
$t_{\text{eewr16b32k}}$	• 32 KB EEPROM backup	—	TBD	TBD	ms	
$t_{\text{eewr16b64k}}$	• 64 KB EEPROM backup	—	TBD	1.5	ms	
$t_{\text{eewr16b128k}}$	• 128 KB EEPROM backup	—	TBD	TBD	ms	
$t_{\text{eewr16b256k}}$	• 256 KB EEPROM backup	—	TBD	2.5	ms	
Longword-write to FlexRAM for EEPROM operation						
$t_{\text{eewr32bers}}$	Longword-write to erased FlexRAM location execution time	—	200	TBD	$\mu\text{s}$	
	Longword-write to FlexRAM execution time:					
$t_{\text{eewr32b32k}}$	• 32 KB EEPROM backup	—	TBD	TBD	ms	
$t_{\text{eewr32b64k}}$	• 64 KB EEPROM backup	—	TBD	2.7	ms	
$t_{\text{eewr32b128k}}$	• 128 KB EEPROM backup	—	TBD	TBD	ms	
$t_{\text{eewr32b256k}}$	• 256 KB EEPROM backup	—	TBD	3.7	ms	

1. Assumes 25MHz flash clock frequency.
2. Maximum times for erase parameters based on expectations at cycling end-of-life.
3. For byte-writes to an erased FlexRAM location, the aligned word containing the byte must be erased.

### 6.4.1.3 Flash (FTFL) current and power specifications

**Table 22. Flash (FTFL) current and power specifications**

Symbol	Description	Typ.	Unit
$I_{\text{DD\_PGM}}$	Worst case programming current in program flash	10	mA

### 6.4.1.4 Reliability specifications

**Table 23. NVM reliability specifications**

Symbol	Description	Min.	Typ. <sup>1</sup>	Max.	Unit	Notes
Program Flash						
$t_{\text{nv mretp10k}}$	Data retention after up to 10 K cycles	5	TBD	—	years	2
$t_{\text{nv mretp1k}}$	Data retention after up to 1 K cycles	10	TBD	—	years	2
$t_{\text{nv mretp100}}$	Data retention after up to 100 cycles	15	TBD	—	years	2
$n_{\text{nv mcycp}}$	Cycling endurance	10 K	TBD	—	cycles	3
Data Flash						
$t_{\text{nv mretd10k}}$	Data retention after up to 10 K cycles	5	TBD	—	years	2
$t_{\text{nv mretd1k}}$	Data retention after up to 1 K cycles	10	TBD	—	years	2
$t_{\text{nv mretd100}}$	Data retention after up to 100 cycles	15	TBD	—	years	2

Table continues on the next page...

**Table 23. NVM reliability specifications (continued)**

Symbol	Description	Min.	Typ. <sup>1</sup>	Max.	Unit	Notes
$\eta_{nvmcyed}$	Cycling endurance	10 K	TBD	—	cycles	3
FlexRAM as EEPROM						
$t_{nvmretee100}$	Data retention up to 100% of write endurance	5	TBD	—	years	2
$t_{nvmretee10}$	Data retention up to 10% of write endurance	10	TBD	—	years	2
$t_{nvmretee1}$	Data retention up to 1% of write endurance	15	TBD	—	years	2
	Write endurance					4
$\eta_{nvmwree16}$	• EEPROM backup to FlexRAM ratio = 16	35 K	TBD	—	writes	
$\eta_{nvmwree128}$	• EEPROM backup to FlexRAM ratio = 128	315 K	TBD	—	writes	
$\eta_{nvmwree512}$	• EEPROM backup to FlexRAM ratio = 512	1.27 M	TBD	—	writes	
$\eta_{nvmwree4k}$	• EEPROM backup to FlexRAM ratio = 4096	10 M	TBD	—	writes	
$\eta_{nvmwree32k}$	• EEPROM backup to FlexRAM ratio = 32,768	80 M	TBD	—	writes	

1. Typical data retention values are based on intrinsic capability of the technology measured at high temperature derated to 25°C. For additional information on how Freescale defines typical data retention, please refer to Engineering Bulletin EB618.
2. Data retention is based on  $T_{javg} = 55^\circ\text{C}$  (temperature profile over the lifetime of the application).
3. Cycling endurance represents number of program/erase cycles at  $-40^\circ\text{C} \leq T_j \leq 125^\circ\text{C}$ .
4. Write endurance represents the number of writes to each FlexRAM location at  $-40^\circ\text{C} \leq T_j \leq 125^\circ\text{C}$  influenced by the cycling endurance of the FlexNVM (same value as data flash) and the allocated EEPROM backup per subsystem. Minimum value assumes all byte-writes to FlexRAM.

### 6.4.1.5 Write endurance to FlexRAM for EEPROM

When the FlexNVM partition code is not set to full data flash, the EEPROM data set size can be set to any of several non-zero values.

The bytes not assigned to data flash via the FlexNVM partition code are used by the FTL to obtain an effective endurance increase for the EEPROM data. The built-in EEPROM record management system raises the number of program/erase cycles that can be attained prior to device wear-out by cycling the EEPROM data through a larger EEPROM NVM storage space.

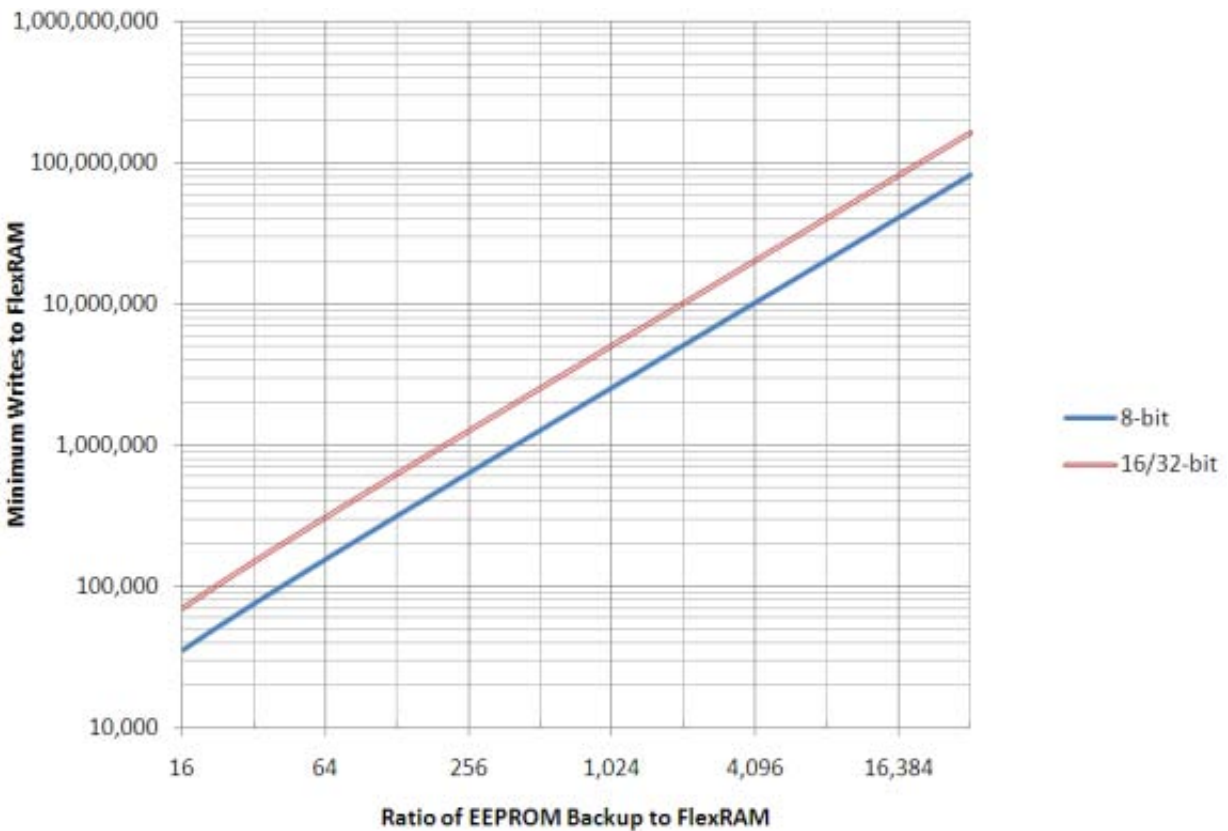
While different partitions of the FlexNVM are available, the intention is that a single choice for the FlexNVM partition code and EEPROM data set size is used throughout the entire lifetime of a given application. The EEPROM endurance equation and graph shown below assume that only one configuration is ever used.

$$\text{Writes}_{\text{subsystem}} = \frac{\text{EEPROM} - 2 \times \text{EESPLIT} \times \text{EESIZE}}{\text{EESPLIT} \times \text{EESIZE}} \times \text{Write}_{\text{efficiency}} \times \eta_{nvmcyed}$$

where

## Peripheral operating requirements and behaviors

- Writes\_subsystem — minimum number of writes to each FlexRAM location for subsystem (each subsystem can have different endurance)
- EEPROM — allocated FlexNVM for each EEPROM subsystem based on DEPART; entered with Program Partition command
- EEESPLIT — FlexRAM split factor for subsystem; entered with the Program Partition command
- EEESIZE — allocated FlexRAM based on DEPART; entered with Program Partition command
- Write\_efficiency —
  - 0.25 for 8-bit writes to FlexRAM
  - 0.50 for 16-bit or 32-bit writes to FlexRAM
- $n_{nvmcycd}$  — data flash cycling endurance



**Figure 9. EEPROM backup writes to FlexRAM**

## 6.4.2 EzPort Switching Specifications

Table 24. EzPort switching specifications

Num	Description	Min.	Max.	Unit
	Operating voltage	1.71	3.6	V
EP1	EZP_CK frequency of operation (all commands except READ)	—	$f_{SYS}/2$	MHz
EP1a	EZP_CK frequency of operation (READ command)	—	$f_{SYS}/8$	MHz
EP2	$\overline{EZP\_CS}$ negation to next $\overline{EZP\_CS}$ assertion	$2 \times t_{EZP\_CK}$	—	ns
EP3	$\overline{EZP\_CS}$ input valid to EZP_CK high (setup)	5	—	ns
EP4	EZP_CK high to $\overline{EZP\_CS}$ input invalid (hold)	5	—	ns
EP5	EZP_D input valid to EZP_CK high (setup)	2	—	ns
EP6	EZP_CK high to EZP_D input invalid (hold)	5	—	ns
EP7	EZP_CK low to EZP_Q output valid (setup)	—	12	ns
EP8	EZP_CK low to EZP_Q output invalid (hold)	0	—	ns
EP9	$\overline{EZP\_CS}$ negation to EZP_Q tri-state	—	12	ns

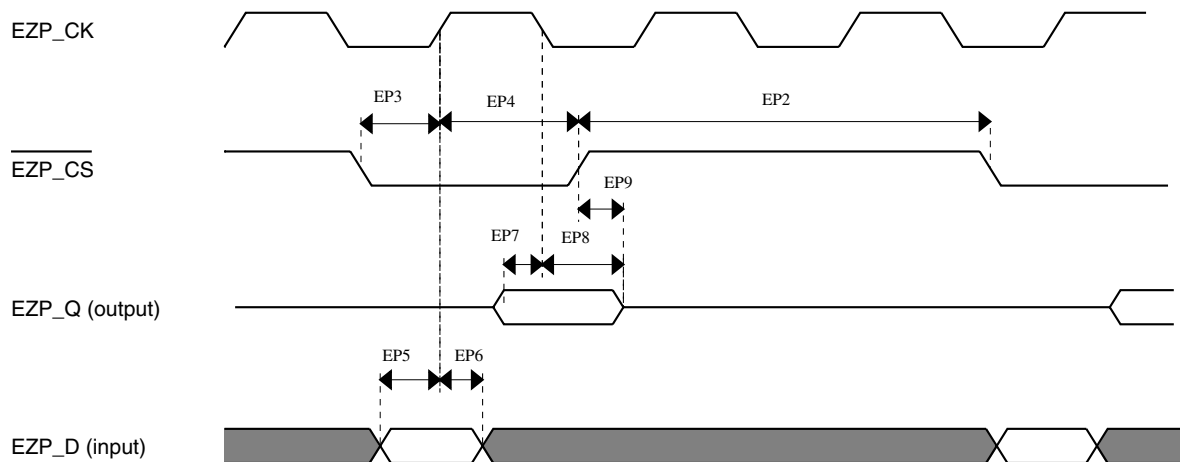


Figure 10. EzPort Timing Diagram

## 6.4.3 Flexbus Switching Specifications

All processor bus timings are synchronous; input setup/hold and output delay are given in respect to the rising edge of a reference clock, FB\_CLK. The FB\_CLK frequency may be the same as the internal system bus frequency or an integer divider of that frequency.

The following timing numbers indicate when data is latched or driven onto the external bus, relative to the Flexbus output clock (FB\_CLK). All other timing relationships can be derived from these values.

**Table 25. Flexbus limited range switching specifications**

Num	Description	Min.	Max.	Unit	Notes
	Operating voltage	2.7	3.6	V	
	Frequency of operation	—	50	MHz	
FB1	Clock period	20	—	ns	
FB2	Address, data, and control output valid	—	11.5	ns	1
FB3	Address, data, and control output hold	0.5	—	ns	1
FB4	Data and $\overline{\text{FB\_TA}}$ input setup	8.5	—	ns	2
FB5	Data and $\overline{\text{FB\_TA}}$ input hold	0.5	—	ns	2

1. Specification is valid for all FB\_AD[31:0],  $\overline{\text{FB\_BE/BWE}n}$ ,  $\overline{\text{FB\_CS}n}$ ,  $\overline{\text{FB\_OE}}$ , FB\_R/W,  $\overline{\text{FB\_TBST}}$ , FB\_TSIZE[1:0], FB\_ALE, and  $\overline{\text{FB\_TS}}$ .
2. Specification is valid for all FB\_AD[31:0] and  $\overline{\text{FB\_TA}}$ .

**Table 26. Flexbus full range switching specifications**

Num	Description	Min.	Max.	Unit	Notes
	Operating voltage	1.71	3.6	V	
	Frequency of operation	—	TBD	MHz	
FB1	Clock period	TBD	—	ns	
FB2	Address, data, and control output valid	—	13.5	ns	1
FB3	Address, data, and control output hold	0	—	ns	1
FB4	Data and $\overline{\text{FB\_TA}}$ input setup	13.7	—	ns	2
FB5	Data and $\overline{\text{FB\_TA}}$ input hold	0.5	—	ns	2

1. Specification is valid for all FB\_AD[31:0],  $\overline{\text{FB\_BE/BWE}n}$ ,  $\overline{\text{FB\_CS}n}$ ,  $\overline{\text{FB\_OE}}$ , FB\_R/W,  $\overline{\text{FB\_TBST}}$ , FB\_TSIZE[1:0], FB\_ALE, and  $\overline{\text{FB\_TS}}$ .
2. Specification is valid for all FB\_AD[31:0] and  $\overline{\text{FB\_TA}}$ .



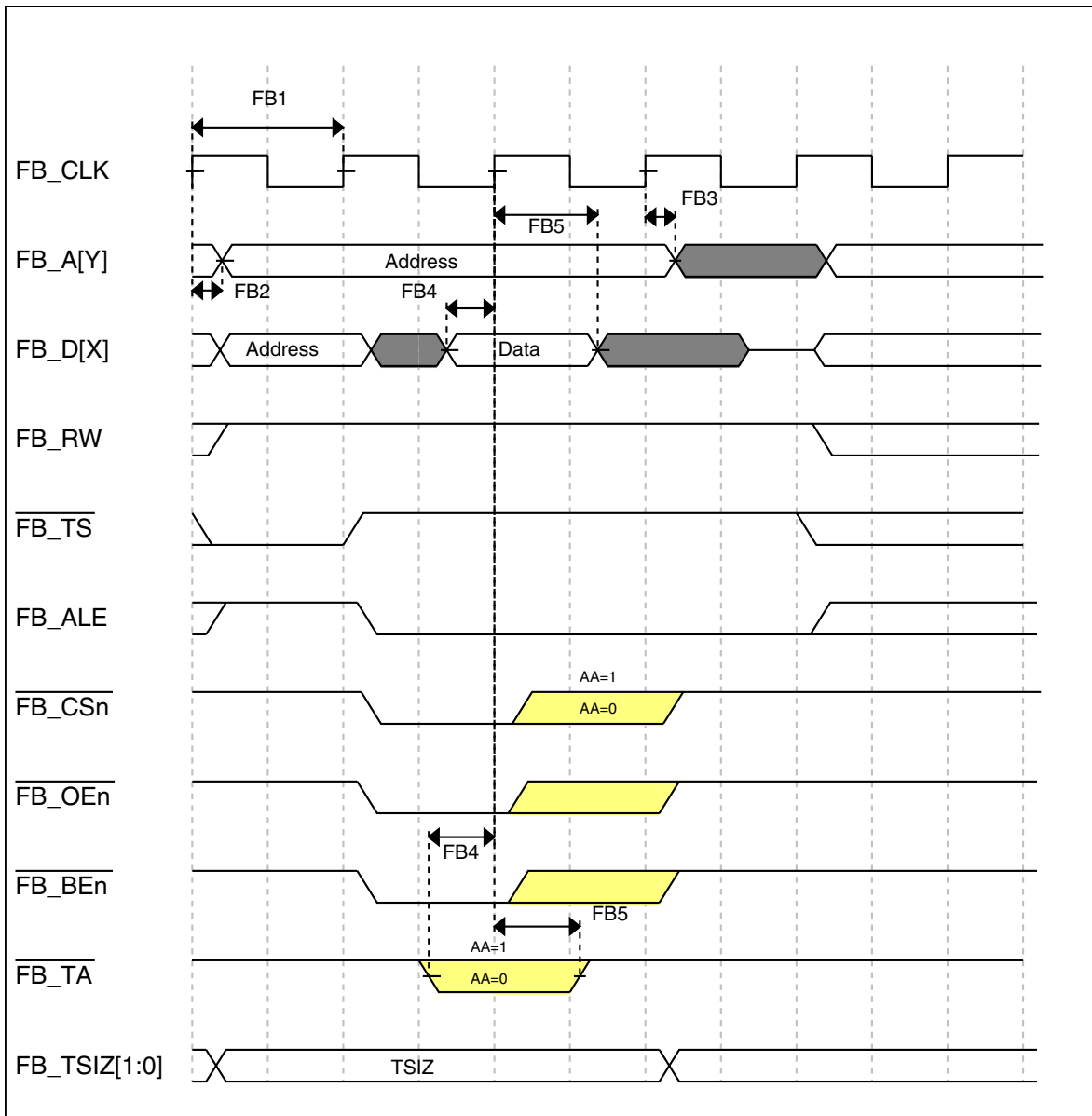


Figure 11. FlexBus read timing diagram

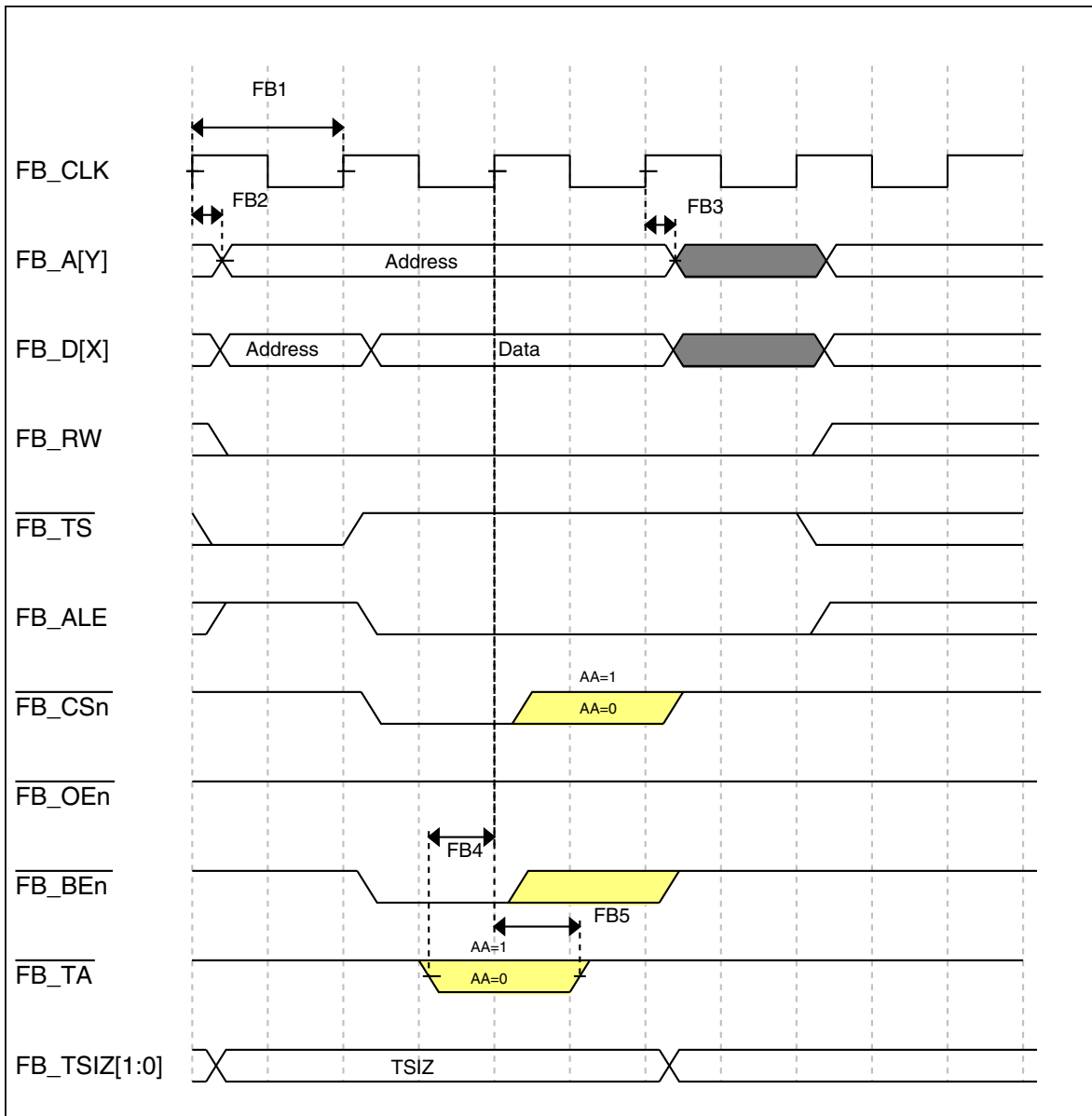


Figure 12. FlexBus write timing diagram

## 6.5 Security and integrity modules

There are no specifications necessary for the device's security and integrity modules.

## 6.6 Analog

## 6.6.1 ADC electrical specifications

The 16-bit accuracy specifications listed in [Table 27](#) and [Table 28](#) are achievable on the differential pins ADC<sub>x</sub>\_DP0, ADC<sub>x</sub>\_DM0, ADC<sub>x</sub>\_DP1, ADC<sub>x</sub>\_DM1, ADC<sub>x</sub>\_DP3, and ADC<sub>x</sub>\_DM3.

The ADC<sub>x</sub>\_DP2 and ADC<sub>x</sub>\_DM2 ADC inputs are connected to the PGA outputs and are not direct device pins. Accuracy specifications for these pins are defined in [Table 29](#) and [Table 30](#).

All other ADC channels meet the 13-bit differential/12-bit single-ended accuracy specifications.

### 6.6.1.1 16-bit ADC operating conditions

**Table 27. 16-bit ADC operating conditions**

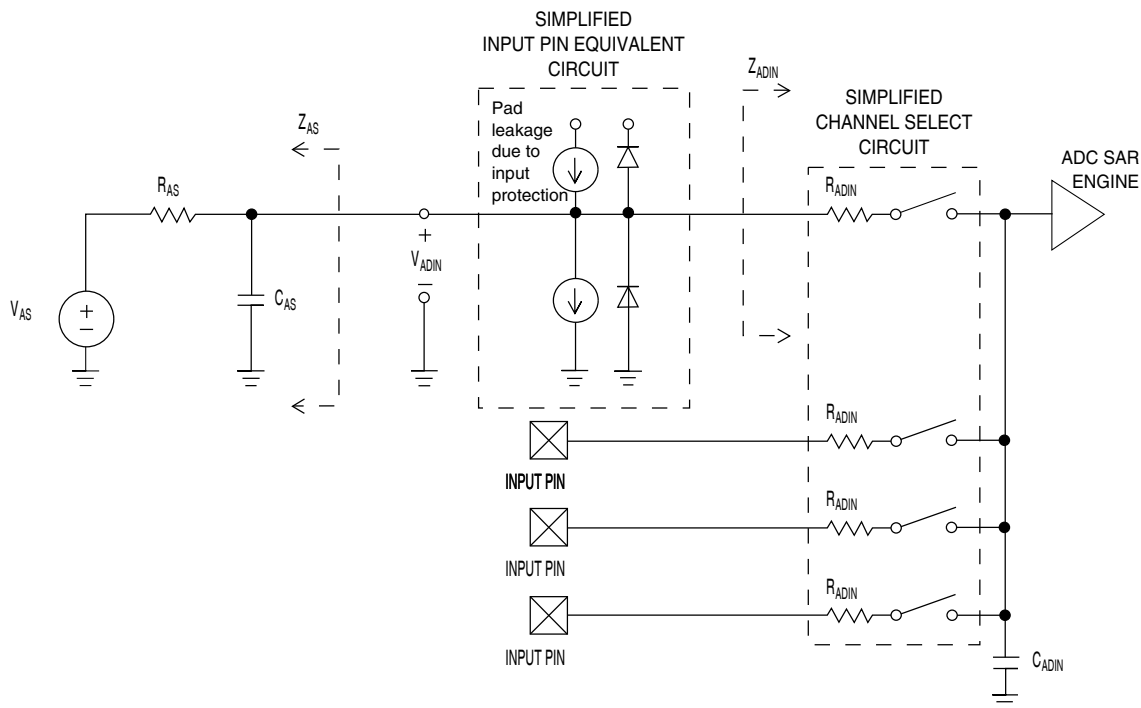
Symbol	Description	Conditions	Min.	Typ. <sup>1</sup>	Max.	Unit	Notes
V <sub>DDA</sub>	Supply voltage	Absolute	1.71	—	3.6	V	
ΔV <sub>DDA</sub>	Supply voltage	Delta to V <sub>DD</sub> (V <sub>DD</sub> -V <sub>DDA</sub> )	-100	0	+100	mV	<a href="#">2</a>
ΔV <sub>SSA</sub>	Ground voltage	Delta to V <sub>SS</sub> (V <sub>SS</sub> -V <sub>SSA</sub> )	-100	0	+100	mV	<a href="#">2</a>
V <sub>REFH</sub>	ADC reference voltage high		1.13	V <sub>DDA</sub>	V <sub>DDA</sub>	V	
V <sub>REFL</sub>	Reference voltage low		V <sub>SSA</sub>	V <sub>SSA</sub>	V <sub>SSA</sub>	V	
V <sub>ADIN</sub>	Input voltage		V <sub>REFL</sub>	—	V <sub>REFH</sub>	V	
C <sub>ADIN</sub>	Input capacitance	<ul style="list-style-type: none"> <li>16 bit modes</li> <li>8/10/12 bit modes</li> </ul>	—	8	10	pF	
R <sub>ADIN</sub>	Input resistance		—	2	5	kΩ	
R <sub>AS</sub>	Analog source resistance	13/12 bit modes f <sub>ADCK</sub> < 4MHz	—	—	5	kΩ	<a href="#">3</a>
f <sub>ADCK</sub>	ADC conversion clock frequency	≤ 13 bit modes	1.0	—	18.0	MHz	<a href="#">4</a>
f <sub>ADCK</sub>	ADC conversion clock frequency	16 bit modes	2.0	—	12.0	MHz	<a href="#">5</a>

Table continues on the next page...

**Table 27. 16-bit ADC operating conditions (continued)**

Symbol	Description	Conditions	Min.	Typ. <sup>1</sup>	Max.	Unit	Notes
$C_{rate}$	ADC conversion rate	≤ 13 bit modes No ADC hardware averaging Continuous conversions enabled, subsequent conversion time	20.000	—	818.330	Ksps	6
$C_{rate}$	ADC conversion rate	16 bit modes No ADC hardware averaging Continuous conversions enabled, subsequent conversion time	37.037	—	461.467	Ksps	7

1. Typical values assume  $V_{DDA} = 3.0\text{ V}$ ,  $\text{Temp} = 25^\circ\text{C}$ ,  $f_{ADCK} = 1.0\text{ MHz}$  unless otherwise stated. Typical values are for reference only and are not tested in production.
2. DC potential difference.
3. This resistance is external to MCU. The analog source resistance should be kept as low as possible in order to achieve the best results. The results in this datasheet were derived from a system which has  $<8\ \Omega$  analog source resistance. The  $R_{AS}/C_{AS}$  time constant should be kept to  $<1\text{ ns}$ .
4. In order to use the maximum ADC conversion clock frequency ADHSC bit should be set and the ADLPC should be clear.
5. In order to use the maximum ADC conversion clock frequency ADHSC bit should be set and the ADLPC should be clear.
6. For guidelines and examples of conversion rate calculation please download the ADC calculator tool [http://cache.freescale.com/files/soft\\_dev\\_tools/software/app\\_software/converters/ADC\\_CALCULATOR\\_CNV.zip?fpsp=1](http://cache.freescale.com/files/soft_dev_tools/software/app_software/converters/ADC_CALCULATOR_CNV.zip?fpsp=1)
7. For guidelines and examples of conversion rate calculation please download the ADC calculator tool [http://cache.freescale.com/files/soft\\_dev\\_tools/software/app\\_software/converters/ADC\\_CALCULATOR\\_CNV.zip?fpsp=1](http://cache.freescale.com/files/soft_dev_tools/software/app_software/converters/ADC_CALCULATOR_CNV.zip?fpsp=1)



**Figure 13. ADC input impedance equivalency diagram**

## 6.6.1.2 16-bit ADC electrical characteristics

Table 28. 16-bit ADC characteristics ( $V_{REFH} = V_{DDA}$ ,  $V_{REFL} = V_{SSA}$ )

Symbol	Description	Conditions <sup>1</sup>	Min.	Typ. <sup>2</sup>	Max.	Unit	Notes
$I_{DDA\_ADC}$	Supply current		0.215	—	1.7	mA	3
$f_{ADACK}$	ADC asynchronous clock source	• ADLPC=1, ADHSC=0	1.2	2.4	3.9	MHz	$t_{ADACK} = 1/f_{ADACK}$
		• ADLPC=1, ADHSC=1	3.0	4.0	7.3	MHz	
		• ADLPC=0, ADHSC=0	2.4	5.2	6.1	MHz	
		• ADLPC=0, ADHSC=1	4.4	6.2	9.5	MHz	
	Sample Time	See Reference Manual chapter for sample times					
TUE	Total unadjusted error	<ul style="list-style-type: none"> <li>• <math>\leq 13</math> bit modes</li> <li>• <math>&lt; 12</math> bit modes</li> </ul>		$\pm 0.8$ $\pm 0.5$	$\pm TBD$ $\pm 1$	LSB <sup>4</sup>	ADC conversion clock $< 12$ MHz, Max hardware averaging (AVGE = %1, AVGS = %11)
DNL	Differential non-linearity	<ul style="list-style-type: none"> <li>• <math>\leq 13</math> bit modes</li> <li>• <math>&lt; 12</math> bit modes</li> </ul>		$\pm 0.7$ $\pm 0.2$	$\pm TBD$ $\pm 0.5$	LSB <sup>4</sup>	ADC conversion clock $< 12$ MHz, Max hardware averaging (AVGE = %1, AVGS = %11)
INL	Integral non-linearity	<ul style="list-style-type: none"> <li>• <math>\leq 13</math> bit modes</li> <li>• <math>&lt; 12</math> bit modes</li> </ul>	— —	$\pm 1.0$ $\pm 0.5$	$\pm TBD$ $\pm TBD$	LSB <sup>4</sup>	Max averaging
$E_{FS}$	Full-scale error	<ul style="list-style-type: none"> <li>• <math>\leq 13</math> bit modes</li> <li>• <math>&lt; 12</math> bit modes</li> </ul>	— —	$\pm 0.4$ $\pm 1.0$	$\pm TBD$ $\pm TBD$	LSB <sup>4</sup>	$V_{ADIN} = V_{DDA}$
$E_Q$	Quantization error	<ul style="list-style-type: none"> <li>• 16 bit modes</li> <li>• <math>\leq 13</math> bit modes</li> </ul>	— —	-1 to 0 —	— $\pm 0.5$	LSB <sup>4</sup>	
ENOB	Effective number of bits	16 bit differential mode					5
		• Avg=32	TBD	13.6	—	bits	
		• Avg=1	TBD	13.2	—	bits	
		16 bit single-ended mode					
• Avg=32	TBD	TBD	—	bits			
• Avg=1	TBD	TBD	—	bits			

Table continues on the next page...

**Table 28. 16-bit ADC characteristics ( $V_{REFH} = V_{DDA}$ ,  $V_{REFL} = V_{SSA}$ ) (continued)**

Symbol	Description	Conditions <sup>1</sup>	Min.	Typ. <sup>2</sup>	Max.	Unit	Notes
SINAD	Signal-to-noise plus distortion	See ENOB	6.02 × ENOB + 1.76			dB	
THD	Total harmonic distortion	16 bit differential mode • Avg=32	—	−94	TBD	dB	5
		16 bit single-ended mode • Avg=32	—	TBD	TBD	dB	
SFDR	Spurious free dynamic range	16 bit differential mode • Avg=32	TBD	95	—	dB	5
		16 bit single-ended mode • Avg=32	TBD	TBD	—	dB	
E <sub>IL</sub>	Input leakage error		$I_{in} \times R_{AS}$			mV	I <sub>in</sub> = leakage current (refer to the MCU's voltage and current operating ratings)
	Temp sensor slope	• −40°C to 105°C	—	TBD	—	mV/°C	
V <sub>TEMP25</sub>	Temp sensor voltage	25°C	—	TBD	—	mV	

1. All accuracy numbers assume the ADC is calibrated with  $V_{REFH} = V_{DDA}$
2. Typical values assume  $V_{DDA} = 3.0\text{ V}$ , Temp = 25°C,  $f_{ADCK} = 2.0\text{ MHz}$  unless otherwise stated. Typical values are for reference only and are not tested in production.
3. The ADC supply current depends on the ADC conversion clock speed, conversion rate and the ADLPC bit (low power). For lowest power operation the ADLPC bit should be set, the HSC bit should be clear with 1MHz ADC conversion clock speed.
4.  $1\text{ LSB} = (V_{REFH} - V_{REFL})/2^N$
5. Input data is 1 kHz sine wave.

Figure TBD

**Figure 14. Typical TUE vs. ADC conversion rate 12-bit single-ended mode**

Figure TBD

**Figure 15. Typical ENOB vs. Averaging for 16-bit differential and 16-bit single-ended modes**

### 6.6.1.3 16-bit ADC with PGA operating conditions

Table 29. 16-bit ADC with PGA operating conditions

Symbol	Description	Conditions	Min.	Typ. <sup>1</sup>	Max.	Unit	Notes
V <sub>DDA</sub>	Supply voltage	Absolute	1.71	—	3.6	V	
V <sub>REFPGA</sub>	PGA ref voltage		VREF_OUT T	VREF_OUT T	VREF_OUT T	V	2, 3
V <sub>ADIN</sub>	Input voltage		V <sub>SSA</sub>	—	V <sub>DDA</sub>	V	
V <sub>CM</sub>	Input Common Mode range		V <sub>SSA</sub>	—	V <sub>DDA</sub>	V	
R <sub>PGAD</sub>	Differential input impedance	Gain = 1, 2, 4, 8 Gain = 16, 32 Gain = 64	— — —	128 64 32	— — —	kΩ	IN+ to IN- <sup>4</sup>
R <sub>AS</sub>	Analog source resistance		—	100	—	Ω	5
T <sub>S</sub>	ADC sampling time		1.25	—	—	μs	6
C <sub>rate</sub>	ADC conversion rate	≤ 13 bit modes No ADC hardware averaging Continuous conversions enabled Peripheral clock = 50 MHz	18.484	—	450	Ksps	7
		16 bit modes No ADC hardware averaging Continuous conversions enabled Peripheral clock = 50 MHz	37.037	—	250	Ksps	8

1. Typical values assume V<sub>DDA</sub> = 3.0 V, Temp = 25°C, f<sub>ADCK</sub> = 6 MHz unless otherwise stated. Typical values are for reference only and are not tested in production.
2. ADC must be configured to use the internal voltage reference (VREF\_OUT)
3. PGA reference is internally connected to the VREF\_OUT pin. If the user wishes to drive VREF\_OUT with a voltage other than the output of the VREF module, the VREF module must be disabled.
4. For single ended configurations the input impedance of the driven input is R<sub>PGAD</sub>/2
5. The analog source resistance (R<sub>AS</sub>), external to MCU, should be kept as minimum as possible. Increased R<sub>AS</sub> causes drop in PGA gain without affecting other performances. This is not dependent on ADC clock frequency.
6. The minimum sampling time is dependent on input signal frequency and ADC mode of operation. A minimum of 1.25μs time should be allowed for F<sub>in</sub>=4 kHz at 16-bit differential mode. Recommended ADC setting is: ADLSMP=1, ADLSTS=2 at 8 MHz ADC clock.
7. ADC clock = 18 MHz, ADLSMP = 1, ADLST = 00, ADHSC = 1
8. ADC clock = 12 MHz, ADLSMP = 1, ADLST = 01, ADHSC = 1

## 6.6.1.4 16-bit ADC with PGA characteristics

Table 30. 16-bit ADC with PGA characteristics

Symbol	Description	Conditions	Min.	Typ. <sup>1</sup>	Max.	Unit	Notes
I <sub>DDA_PGA</sub>	Supply current	Low power (ADC_PGA[PGALPb]=0)	—	420	TBD	μA	2
I <sub>DC_PGA</sub>	Input DC current		$\frac{2}{R_{PGAD}} \left( \frac{V_{REFPGA} \times 0.583 - V_{CM}}{\text{Gain} + 1} \right)$			A	3
		Gain =1, V <sub>REFPGA</sub> =1.2V, V <sub>CM</sub> =0.5V	—	1.54	—	μA	
		Gain =64, V <sub>REFPGA</sub> =1.2V, V <sub>CM</sub> =0.1V	—	0.57	—	μA	
G	Gain <sup>4</sup>	• PGAG=0	0.95	1	1.05		R <sub>AS</sub> < 100Ω
		• PGAG=1	1.9	2	2.1		
		• PGAG=2	3.8	4	4.2		
		• PGAG=3	7.6	8	8.4		
		• PGAG=4	15.2	16	16.6		
		• PGAG=5	30.0	31.6	33.2		
		• PGAG=6	58.8	63.3	67.8		
BW	Input signal bandwidth	• 16-bit modes	—	—	4	kHz	
		• < 16-bit modes	—	—	40	kHz	
PSRR	Power supply rejection ratio	Gain=1	TBD	TBD	—	dB	V <sub>DDA</sub> = 3V ±100mV, f <sub>VDDA</sub> = 50Hz, 60Hz
CMRR	Common mode rejection ratio	• Gain=1	TBD	TBD	—	dB	V <sub>CM</sub> = 500mVpp, f <sub>VCM</sub> = 50Hz, 100Hz
		• Gain=64	TBD	TBD	—	dB	
V <sub>OFS</sub>	Input offset voltage		—	0.2	TBD	mV	Output offset = V <sub>OFS</sub> *(Gain+1)
T <sub>GSW</sub>	Gain switching settling time		—	—	10	μs	5
dG/dT	Gain drift over temperature	• Gain=1	—	TBD	TBD	ppm/°C	0 to 50°C
		• Gain=64	—	TBD	TBD	ppm/°C	
dV <sub>OFS</sub> /dT	Offset drift over temperature	Gain=1	—	TBD	TBD	ppm/°C	0 to 50°C, ADC Averaging=32
dG/dV <sub>DDA</sub>	Gain drift over supply voltage	• Gain=1	—	TBD	TBD	%/V	V <sub>DDA</sub> from 1.71 to 3.6V
		• Gain=64	—	TBD	TBD	%/V	

Table continues on the next page...



Table 30. 16-bit ADC with PGA characteristics (continued)

Symbol	Description	Conditions	Min.	Typ. <sup>1</sup>	Max.	Unit	Notes
$E_{IL}$	Input leakage error	All modes	$I_{in} \times R_{AS}$			mV	$I_{in}$ = leakage current (refer to the MCU's voltage and current operating ratings)
$V_{PP,DIFF}$	Maximum differential input signal swing		$\left(\frac{(\min(V_X, V_{DDA}-V_X)-0.2) \times 4}{Gain}\right)$ where $V_X = V_{REFPGA} \times 0.583$			V	6
SNR	Signal-to-noise ratio	• Gain=1	TBD	83.0	—	dB	16-bit differential mode, Average=32
		• Gain=64	TBD	57.5	—	dB	
THD	Total harmonic distortion	• Gain=1	TBD	89.4	—	dB	16-bit differential mode, Average=32, $f_{in}=500\text{Hz}$
		• Gain=64	TBD	90.0	—	dB	
SFDR	Spurious free dynamic range	• Gain=1	TBD	90.9	—	dB	16-bit differential mode, Average=32, $f_{in}=500\text{Hz}$
		• Gain=64	TBD	77.0	—	dB	
ENOB	Effective number of bits	• Gain=1, Average=4	TBD	12.3	—	bits	16-bit differential mode, $f_{in}=100\text{Hz}$ z
		• Gain=1, Average=8	TBD	12.7	—	bits	
		• Gain=64, Average=4	TBD	8.4	—	bits	
		• Gain=64, Average=8	TBD	8.7	—	bits	
		• Gain=1, Average=32	TBD	13.3	—	bits	
		• Gain=2, Average=32	TBD	13.1	—	bits	
		• Gain=4, Average=32	TBD	12.5	—	bits	
		• Gain=8, Average=32	TBD	11.8	—	bits	
		• Gain=16, Average=32	TBD	11.1	—	bits	
		• Gain=32, Average=32	TBD	10.2	—	bits	
• Gain=64, Average=32	TBD	9.3	—	bits			
SINAD	Signal-to-noise plus distortion ratio	See ENOB	$6.02 \times \text{ENOB} + 1.76$			dB	

1. Typical values assume  $V_{DDA} = 3.0\text{V}$ ,  $\text{Temp} = 25^\circ\text{C}$ ,  $f_{ADCK} = 6\text{MHz}$  unless otherwise stated.
2. This current is a PGA module adder, in addition to and ADC conversion currents.
3. Between IN+ and IN-. The PGA draws a DC current from the input terminals. The magnitude of the DC current is a strong function of input common mode voltage ( $V_{CM}$ ) and the PGA gain.
4.  $\text{Gain} = 2^{\text{PGAG}}$
5. After changing the PGA gain setting, a minimum of 2 ADC+PGA conversions should be ignored.

## Peripheral operating requirements and behaviors

- Limit the input signal swing so that the PGA does not saturate during operation. Input signal swing is dependent on the PGA reference voltage and gain setting.

## 6.6.2 CMP and 6-bit DAC electrical specifications

**Table 31. Comparator and 6-bit DAC electrical specifications**

Symbol	Description	Min.	Typ.	Max.	Unit
$V_{DD}$	Supply voltage	1.71	—	3.6	V
$I_{DDHS}$	Supply current, High-speed mode (EN=1, PMODE=1)	—	—	200	$\mu$ A
$I_{DDL S}$	Supply current, low-speed mode (EN=1, PMODE=0)	—	—	20	$\mu$ A
$V_{AIN}$	Analog input voltage	$V_{SS} - 0.3$	—	$V_{DD}$	V
$V_{AIO}$	Analog input offset voltage	—	—	20	mV
$V_H$	Analog comparator hysteresis <sup>1</sup> <ul style="list-style-type: none"> <li>• CR0[HYSTCTR] = 00</li> <li>• CR0[HYSTCTR] = 01</li> <li>• CR0[HYSTCTR] = 10</li> <li>• CR0[HYSTCTR] = 11</li> </ul>	—	5	—	mV
		—	10	—	mV
		—	20	—	mV
		—	30	—	mV
$V_{CMPOH}$	Output high	$V_{DD} - 0.5$	—	—	V
$V_{CMPOI}$	Output low	—	—	0.5	V
$t_{DHS}$	Propagation delay, high-speed mode (EN=1, PMODE=1)	20	50	200	ns
$t_{DLS}$	Propagation delay, low-speed mode (EN=1, PMODE=0)	120	250	600	ns
	Analog comparator initialization delay <sup>2</sup>	—	—	40	$\mu$ s
$I_{DAC6b}$	6-bit DAC current adder (enabled)	—	7	—	$\mu$ A
INL	6-bit DAC integral non-linearity	-0.5	—	0.5	LSB <sup>3</sup>
DNL	6-bit DAC differential non-linearity	-0.3	—	0.3	LSB

- Typical hysteresis is measured with input voltage range limited to 0.6 to  $V_{DD}-0.6V$ .
- Comparator initialization delay is defined as the time between software writes to change control inputs (Writes to DACEN, VRSEL, PSEL, MSEL, VOSEL) and the comparator output settling to a stable level.
- 1 LSB =  $V_{reference}/64$

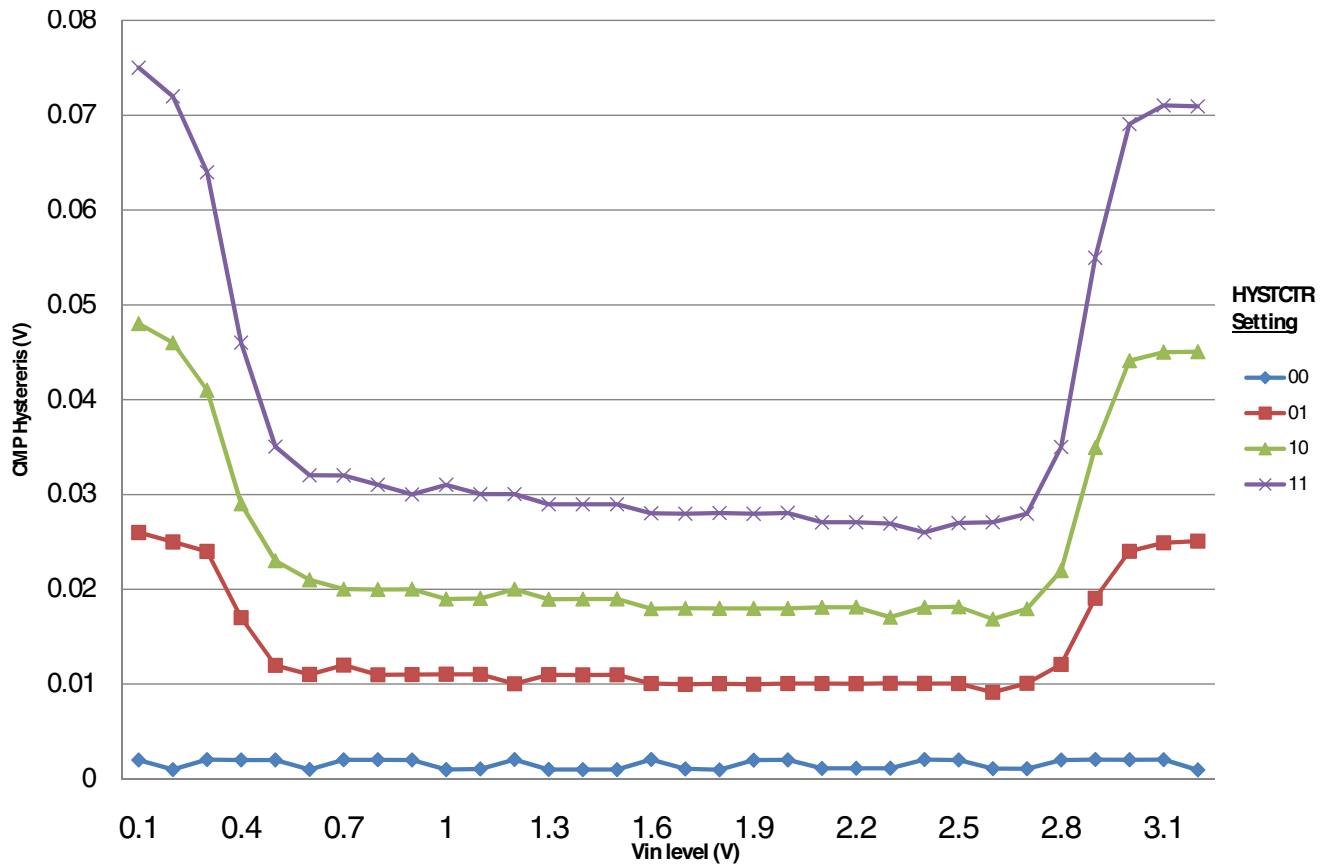


Figure 16. Typical hysteresis vs. Vin level (VDD=3.3V, PMODE=0)

## Peripheral operating requirements and behaviors

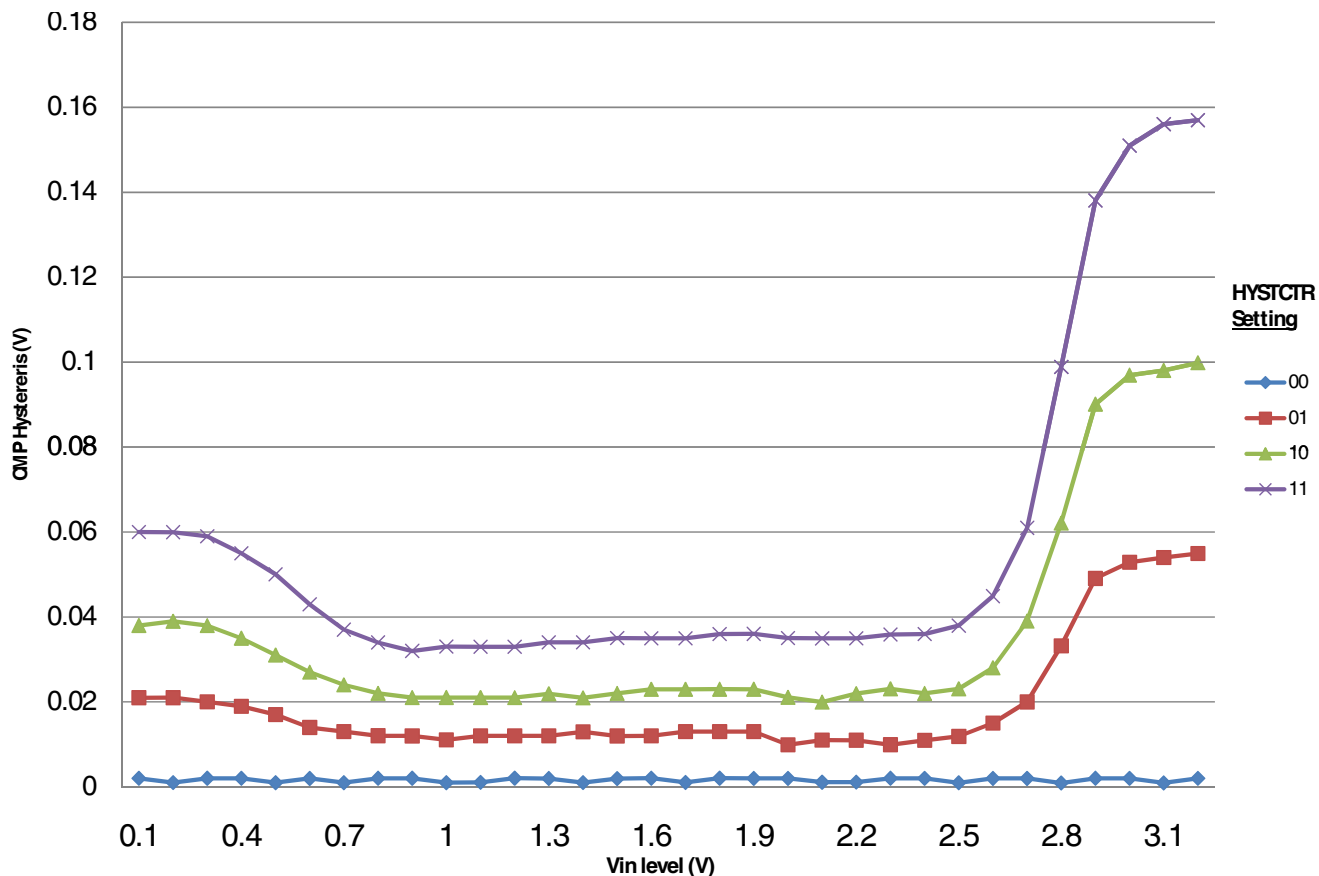


Figure 17. Typical hysteresis vs. Vin level (VDD=3.3V, PMODE=1)

### 6.6.3 12-bit DAC electrical characteristics

#### 6.6.3.1 12-bit DAC operating requirements

Table 32. 12-bit DAC operating requirements

Symbol	Description	Min.	Max.	Unit	Notes
$V_{DDA}$	Supply voltage	1.71	3.6	V	
$V_{DACR}$	Reference voltage	1.13	3.6	V	1
$T_A$	Temperature	-40	105	°C	
$C_L$	Output load capacitance	—	100	pF	2
$I_L$	Output load current	—	1	mA	

1. The DAC reference can be selected to be VDDA or the voltage output of the VREF module (VREF\_OUT)
2. A small load capacitance (47 pF) can improve the bandwidth performance of the DAC

### 6.6.3.2 12-bit DAC operating behaviors

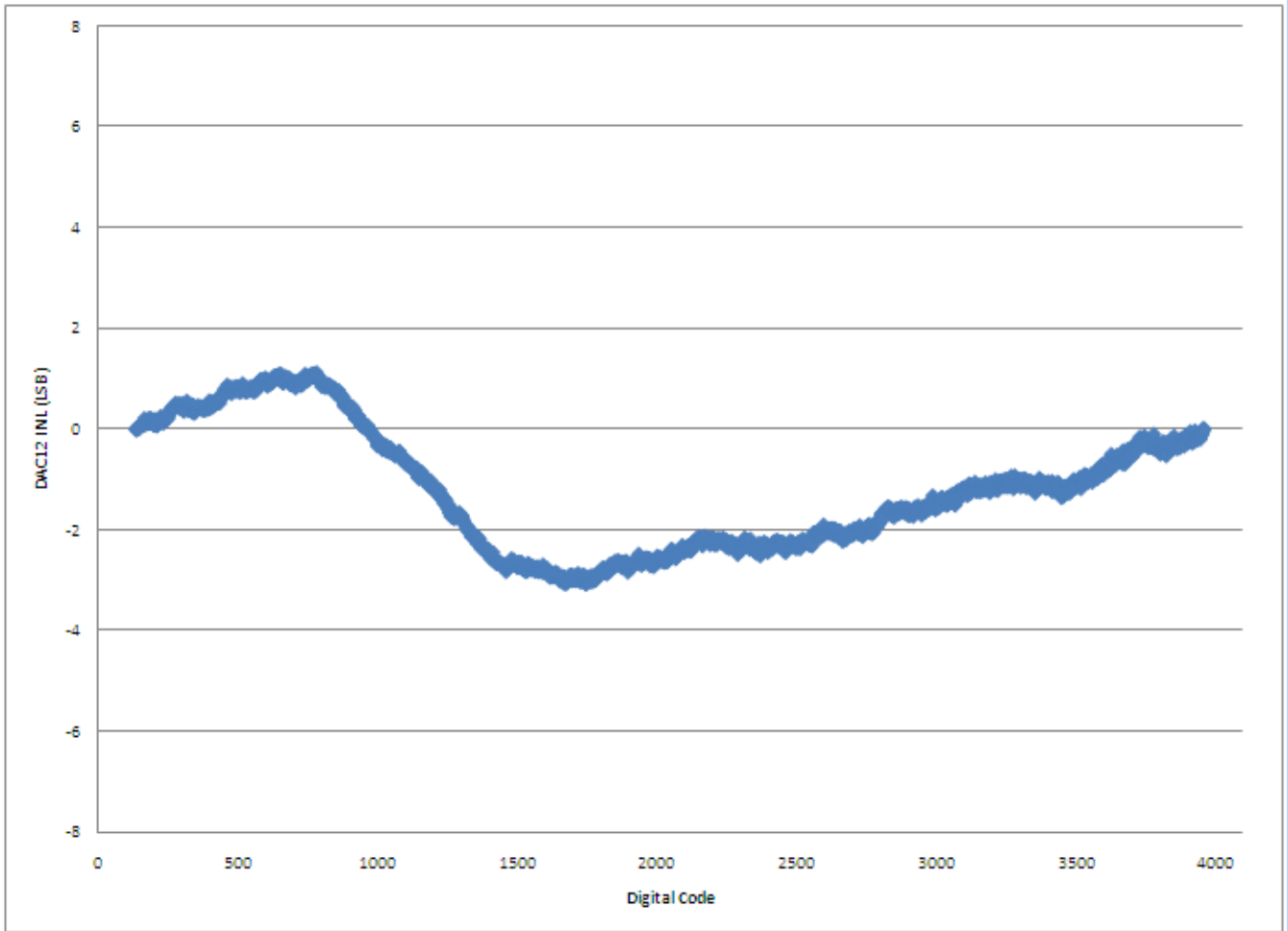
Table 33. 12-bit DAC operating behaviors

Symbol	Description	Min.	Typ.	Max.	Unit	Notes
$I_{DDA\_DACLP}$	Supply current — low-power mode	—	—	150	$\mu\text{A}$	
$I_{DDA\_DACHP}$	Supply current — high-speed mode	—	—	700	$\mu\text{A}$	
$t_{DACLP}$	Full-scale settling time (0x080 to 0xF7F) — low-power mode	—	100	200	$\mu\text{s}$	1
$t_{DACHP}$	Full-scale settling time (0x080 to 0xF7F) — high-power mode	—	15	30	$\mu\text{s}$	1
$t_{CCDACLP}$	Code-to-code settling time (0xBF8 to 0xC08) — low-power mode and high-speed mode	—	0.7	1	$\mu\text{s}$	1
$V_{dacoutl}$	DAC output voltage range low — high-speed mode, no load, DAC set to 0x000	—	—	100	mV	
$V_{dacouth}$	DAC output voltage range high — high-speed mode, no load, DAC set to 0xFFF	$V_{DACR} - 100$	—	$V_{DACR}$	mV	
INL	Integral non-linearity error — high speed mode	—	—	$\pm 8$	LSB	2
DNL	Differential non-linearity error — $V_{DACR} > 2\text{ V}$	—	—	$\pm 1$	LSB	3
DNL	Differential non-linearity error — $V_{DACR} = V_{REF\_OUT}$	—	—	$\pm 1$	LSB	4
$V_{OFFSET}$	Offset error	—	$\pm 0.4$	$\pm 0.8$	%FSR	5
$E_G$	Gain error	—	$\pm 0.1$	$\pm 0.6$	%FSR	5
PSRR	Power supply rejection ratio, $V_{DDA} > = 2.4\text{ V}$	60		90	dB	
$T_{CO}$	Temperature coefficient offset voltage	—	3.7	—	$\mu\text{V}/\text{C}$	6
$T_{GE}$	Temperature coefficient gain error	—	TBD	—	ppm of FSR/C	
$A_C$	Offset aging coefficient	—	—	TBD	$\mu\text{V}/\text{yr}$	
$R_{op}$	Output resistance load = 3 k $\Omega$	—	—	250	$\Omega$	
SR	Slew rate -80h $\rightarrow$ F7Fh $\rightarrow$ 80h <ul style="list-style-type: none"> <li>High power (SP<sub>HP</sub>)</li> <li>Low power (SP<sub>LP</sub>)</li> </ul>	1.2 0.05	1.7 0.12	— —	V/ $\mu\text{s}$	
CT	Channel to channel cross talk	—	—	-80	dB	
BW	3dB bandwidth <ul style="list-style-type: none"> <li>High power (SP<sub>HP</sub>)</li> <li>Low power (SP<sub>LP</sub>)</li> </ul>	550 40	— —	— —	kHz	

1. Settling within  $\pm 1$  LSB
2. The INL is measured for 0+100mV to  $V_{DACR} - 100\text{ mV}$
3. The DNL is measured for 0+100 mV to  $V_{DACR} - 100\text{ mV}$
4. The DNL is measured for 0+100mV to  $V_{DACR} - 100\text{ mV}$  with  $V_{DDA} > 2.4\text{V}$
5. Calculated by a best fit curve from  $V_{SS} + 100\text{ mV}$  to  $V_{DACR} - 100\text{ mV}$

**Peripheral operating requirements and behaviors**

- 6. VDDA = 3.0V, reference select set for VDDA (DACx\_CO:DACRFS = 1), high power mode(DACx\_C0:LPEN = 0), DAC set to 0x800, Temp range from -40C to 105C



**Figure 18. Typical INL error vs. digital code**

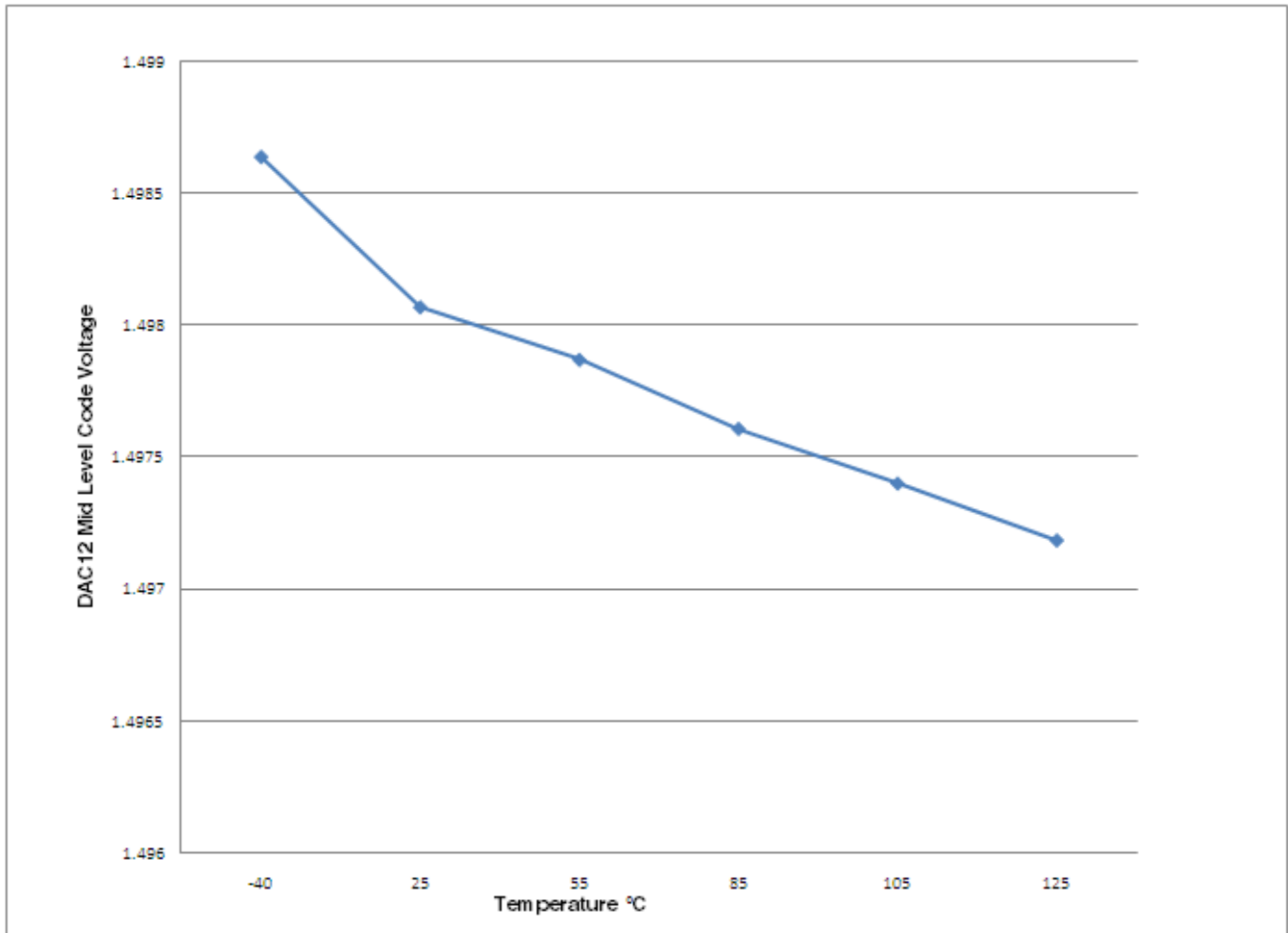


Figure 19. Offset at half scale vs. temperature

## 6.6.4 Voltage reference electrical specifications

Table 34. VREF full-range operating requirements

Symbol	Description	Min.	Max.	Unit	Notes
$V_{DDA}$	Supply voltage	1.71	3.6	V	
$T_A$	Temperature	-40	105	°C	
$C_L$	Output load capacitance	—	100	nF	

Table 35. VREF full-range operating behaviors

Symbol	Description	Min.	Typ.	Max.	Unit	Notes
$V_{out}$	Voltage reference output with factory trim at nominal $V_{DDA}$ and temperature=25C	TBD	1.2	TBD	V	

Table continues on the next page...

**Table 35. VREF full-range operating behaviors (continued)**

Symbol	Description	Min.	Typ.	Max.	Unit	Notes
$V_{out}$	Voltage reference output with— factory trim	TBD	—	TBD	V	
$V_{out}$	Voltage reference output — user trim	1.198	—	1.202	V	
$V_{step}$	Voltage reference trim step	—	0.5	—	mV	
$V_{drift}$	Temperature drift ( $V_{max} - V_{min}$ across the full temperature range)	—	—	40	mV	See Figure 20
Ac	Aging coefficient	—	—	TBD	ppm/year	
$I_{bg}$	Bandgap only (MODE_LV = 00) current	—	—	TBD	$\mu$ A	
$I_{tr}$	Tight-regulation buffer (MODE_LV = 10) current	—	—	1.1	mA	
$\Delta V_{LOAD}$	Load regulation (MODE_LV = 10) • current = + 1.0 mA • current = - 1.0 mA	— —	— —	TBD TBD	mV	1
$T_{stap}$	Buffer startup time	—	—	100	$\mu$ s	
DC	Line regulation (power supply rejection)	— -60	— —	TBD TBD	mV dB	

1. Load regulation voltage is the difference between the VREF\_OUT voltage with no load vs. voltage with defined load

**Table 36. VREF limited-range operating requirements**

Symbol	Description	Min.	Max.	Unit	Notes
$T_A$	Temperature	0	50	$^{\circ}$ C	

**Table 37. VREF limited-range operating behaviors**

Symbol	Description	Min.	Max.	Unit	Notes
$V_{out}$	Voltage reference output with factory trim	TBD	TBD	V	

TBD

**Figure 20. Typical output vs. temperature**

TBD

**Figure 21. Typical output vs. VDD**

## 6.7 Timers

See [General switching specifications](#).



## 6.8 Communication interfaces

### 6.8.1 Ethernet switching specifications

The following timing specs are defined at the chip I/O pin and must be translated appropriately to arrive at timing specs/constraints for the physical interface.

#### 6.8.1.1 MII signal switching specifications

The following timing specs meet the requirements for MII style interfaces for a range of transceiver devices.

**Table 38. MII signal switching specifications**

Symbol	Description	Min.	Max.	Unit
—	RXCLK frequency	—	25	MHz
MII1	RXCLK pulse width high	35%	65%	RXCLK period
MII2	RXCLK pulse width low	35%	65%	RXCLK period
MII3	RXD[3:0], RXDV, RXER to RXCLK setup	5	—	ns
MII4	RXCLK to RXD[3:0], RXDV, RXER hold	5	—	ns
—	TXCLK frequency	—	25	MHz
MII5	TXCLK pulse width high	35%	65%	TXCLK period
MII6	TXCLK pulse width low	35%	65%	TXCLK period
MII7	TXCLK to TXD[3:0], TXEN, TXER invalid	2	—	ns
MII8	TXCLK to TXD[3:0], TXEN, TXER valid	—	25	ns

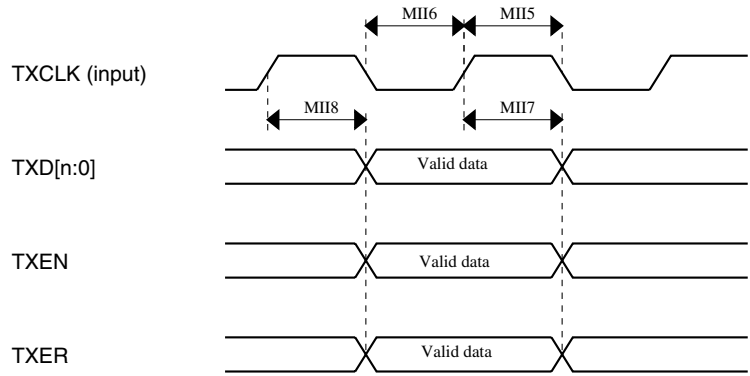


Figure 22. MII transmit signal timing diagram

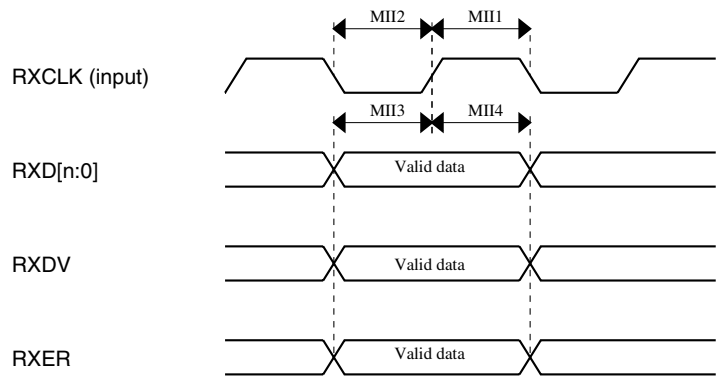


Figure 23. MII receive signal timing diagram

### 6.8.1.2 RMII signal switching specifications

The following timing specs meet the requirements for RMII style interfaces for a range of transceiver devices.

Table 39. RMII signal switching specifications

Num	Description	Min.	Max.	Unit
—	EXTAL frequency (RMII input clock RMII_CLK)	—	50	MHz
RMII1	RMII_CLK pulse width high	35%	65%	RMII_CLK period
RMII2	RMII_CLK pulse width low	35%	65%	RMII_CLK period
RMII3	RXD[1:0], CRS_DV, RXER to RMII_CLK setup	4	—	ns
RMII4	RMII_CLK to RXD[1:0], CRS_DV, RXER hold	2	—	ns
RMII7	RMII_CLK to TXD[1:0], TXEN invalid	4	—	ns
RMII8	RMII_CLK to TXD[1:0], TXEN valid	—	15	ns

## 6.8.2 USB electrical specifications

The USB electricals for the USB On-the-Go module conform to the standards documented by the Universal Serial Bus Implementers Forum. For the most up-to-date standards, visit <http://www.usb.org>.

## 6.8.3 USB DCD electrical specifications

Table 40. USB DCD electrical specifications

Symbol	Description	Min.	Typ.	Max.	Unit
V <sub>DP_SRC</sub>	USB_DP source voltage (up to 250 $\mu$ A)	TBD	TBD	TBD	V
V <sub>LGC</sub>	Threshold voltage for logic high	0.8	—	2.0	V
I <sub>DP_SRC</sub>	USB_DP source current	7	10	13	$\mu$ A
I <sub>DM_SINK</sub>	USB_DM sink current	50	100	150	$\mu$ A
R <sub>DM_DWN</sub>	D- pulldown resistance for data pin contact detect	14.25	—	24.8	k $\Omega$
V <sub>DAT_REF</sub>	Data detect voltage	0.25	TBD	0.4	V

## 6.8.4 USB VREG electrical specifications

Table 41. USB VREG electrical specifications

Symbol	Description	Min.	Typ.	Max.	Unit	Notes
V <sub>REGIN</sub>	Input supply voltage	2.7	—	5.5	V	
I <sub>DDon</sub>	Quiescent current — Run mode, load current equal zero, input supply (V <sub>REGIN</sub> ) > 3.6 V	—	120	TBD	$\mu$ A	
I <sub>DDstby</sub>	Quiescent current — Standby mode, load current equal zero	—	1	TBD	$\mu$ A	
I <sub>DDoff</sub>	Quiescent current — Shutdown mode	—	500	—	nA	
		—	—	TBD	$\mu$ A	
I <sub>LOADrun</sub>	Maximum load current — Run mode	—	—	120	mA	
I <sub>LOADstby</sub>	Maximum load current — Standby mode	—	—	1	mA	
V <sub>Reg33out</sub>	Regulator output voltage — Input supply (V <sub>REGIN</sub> ) > 3.6 V	3	3.3	3.6	V	
		TBD	2.8	3.6	V	

Table continues on the next page...

**Table 41. USB VREG electrical specifications  
(continued)**

Symbol	Description	Min.	Typ.	Max.	Unit	Notes
$V_{\text{Reg33out}}$	Regulator output voltage — Input supply (VREGIN) < 3.6 V, pass-through mode	TBD	—	3.6	V	1
$C_{\text{OUT}}$	External output capacitor	1.76	2.2	8.16	$\mu\text{F}$	
ESR	External output capacitor equivalent series resistance	1	—	100	m $\Omega$	
$I_{\text{LIM}}$	Short circuit current	TBD	290	TBD	mA	

- Operating in pass-through mode: regulator output voltage equal to the input voltage minus a drop proportional to  $I_{\text{Load}}$ .

## 6.8.5 CAN switching specifications

See [General switching specifications](#).

## 6.8.6 DSPI switching specifications (low-speed mode)

The DMA Serial Peripheral Interface (DSPI) provides a synchronous serial bus with master and slave operations. Many of the transfer attributes are programmable. The tables below provides DSPI timing characteristics for classic SPI timing modes. Refer to the DSPI chapter of the Reference Manual for information on the modified transfer formats used for communicating with slower peripheral devices.

**Table 42. Master mode DSPI timing (low-speed mode)**

Num	Description	Min.	Max.	Unit	Notes
	Operating voltage	1.71	3.6	V	1
	Frequency of operation	—	12.5	MHz	
DS1	DSPI_SCK output cycle time	$4 \times t_{\text{BUS}}$	—	ns	
DS2	DSPI_SCK output high/low time	$(t_{\text{SCK}/2}) - 4$	$(t_{\text{SCK}/2}) + 4$	ns	
DS3	DSPI_PCS $n$ valid to DSPI_SCK delay	$(t_{\text{BUS}} \times 2) - 4$	—	ns	2
DS4	DSPI_SCK to DSPI_PCS $n$ invalid delay	$(t_{\text{BUS}} \times 2) - 4$	—	ns	3
DS5	DSPI_SCK to DSPI_SOUT valid	—	10	ns	
DS6	DSPI_SCK to DSPI_SOUT invalid	-2	—	ns	
DS7	DSPI_SIN to DSPI_SCK input setup	15	—	ns	
DS8	DSPI_SCK to DSPI_SIN input hold	0	—	ns	

- The DSPI module can operate across the entire operating voltage for the processor, but to run across the full voltage range the maximum frequency of operation is reduced.
- The delay is programmable in SPIx\_CTARn[PSSCK] and SPIx\_CTARn[CSSCK].

3. The delay is programmable in SPIx\_CTARn[PASC] and SPIx\_CTARn[ASC].

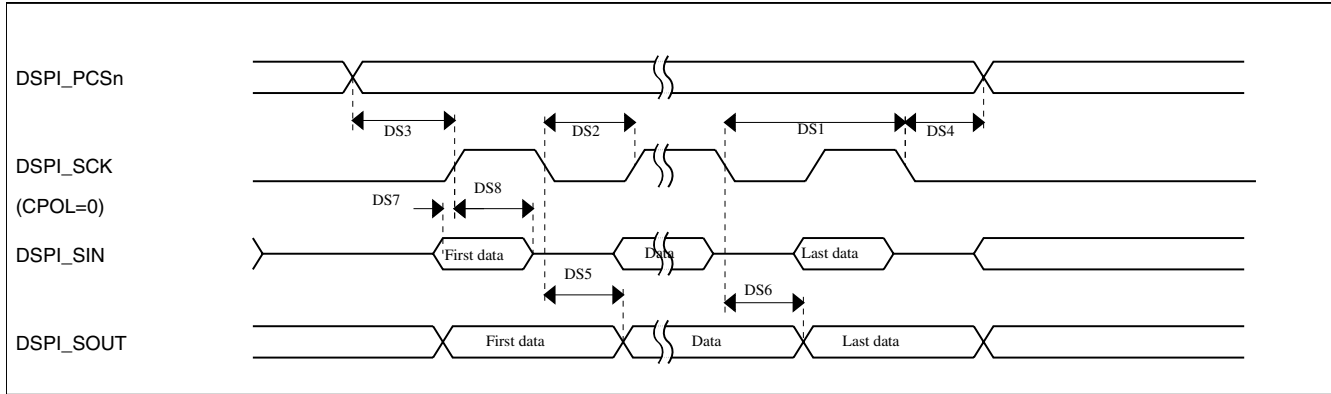


Figure 24. DSPI classic SPI timing — master mode

Table 43. Slave mode DSPI timing (low-speed mode)

Num	Description	Min.	Max.	Unit
	Operating voltage	1.71	3.6	V
	Frequency of operation	—	6.25	MHz
DS9	DSPI_SCK input cycle time	8 x t <sub>BUS</sub>	—	ns
DS10	DSPI_SCK input high/low time	(t <sub>SCK/2</sub> ) - 4	(t <sub>SCK/2</sub> ) + 4	ns
DS11	DSPI_SCK to DSPI_SOUT valid	—	20	ns
DS12	DSPI_SCK to DSPI_SOUT invalid	0	—	ns
DS13	DSPI_SIN to DSPI_SCK input setup	5	—	ns
DS14	DSPI_SCK to DSPI_SIN input hold	15	—	ns
DS15	DSPI_SS active to DSPI_SOUT driven	—	19	ns
DS16	DSPI_SS inactive to DSPI_SOUT not driven	—	19	ns

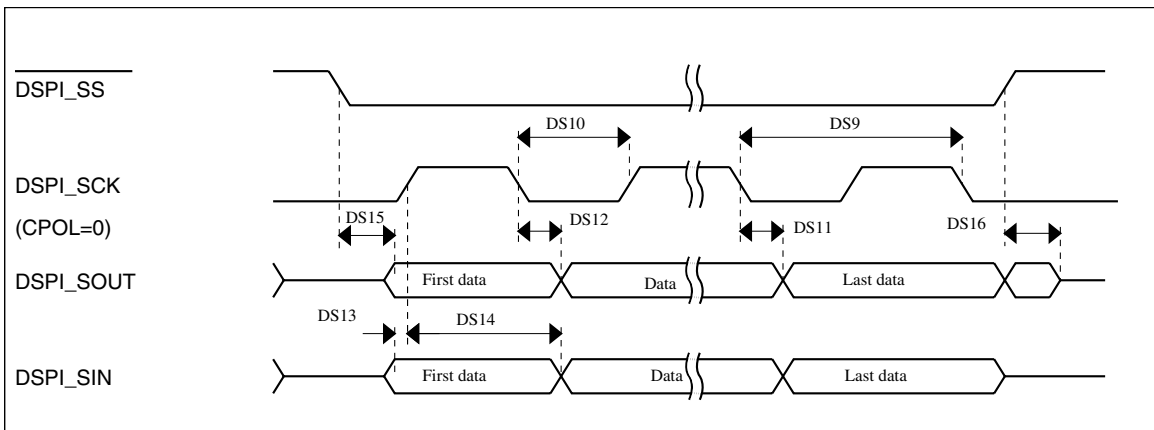


Figure 25. DSPI classic SPI timing — slave mode

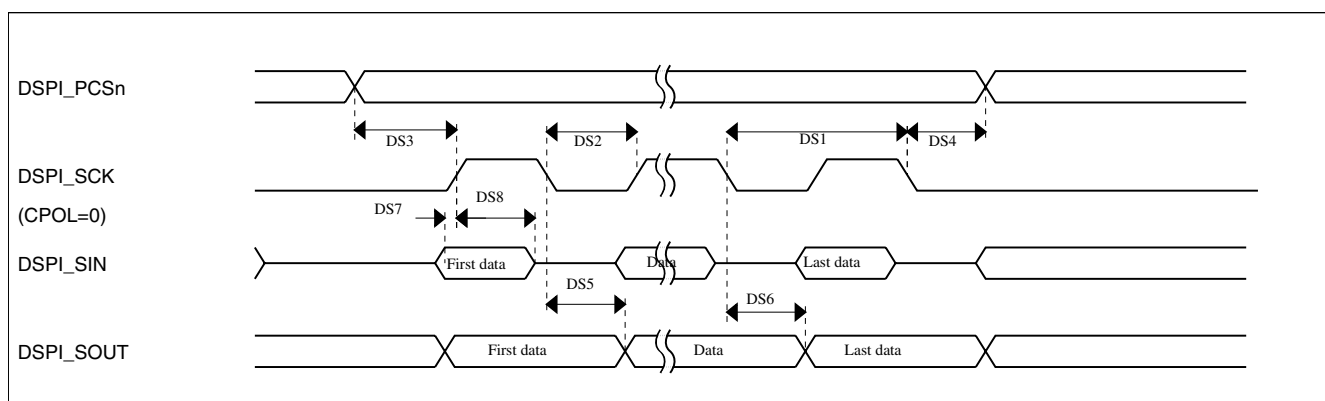
### 6.8.7 DSPI switching specifications (high-speed mode)

The DMA Serial Peripheral Interface (DSPI) provides a synchronous serial bus with master and slave operations. Many of the transfer attributes are programmable. The tables below provide DSPI timing characteristics for classic SPI timing modes. Refer to the DSPI chapter of the Reference Manual for information on the modified transfer formats used for communicating with slower peripheral devices.

**Table 44. Master mode DSPI timing (high-speed mode)**

Num	Description	Min.	Max.	Unit	Notes
	Operating voltage	2.7	3.6	V	
	Frequency of operation	—	25	MHz	
DS1	DSPI_SCK output cycle time	$2 \times t_{BUS}$	—	ns	
DS2	DSPI_SCK output high/low time	$(t_{SCK}/2) - 2$	$(t_{SCK}/2) + 2$	ns	
DS3	DSPI_PCSn valid to DSPI_SCK delay	$(t_{BUS} \times 2) - 2$	—	ns	1
DS4	DSPI_SCK to DSPI_PCSn invalid delay	$(t_{BUS} \times 2) - 2$	—	ns	2
DS5	DSPI_SCK to DSPI_SOUT valid	—	8.5	ns	
DS6	DSPI_SCK to DSPI_SOUT invalid	-2	—	ns	
DS7	DSPI_SIN to DSPI_SCK input setup	TBD	—	ns	
DS8	DSPI_SCK to DSPI_SIN input hold	0	—	ns	

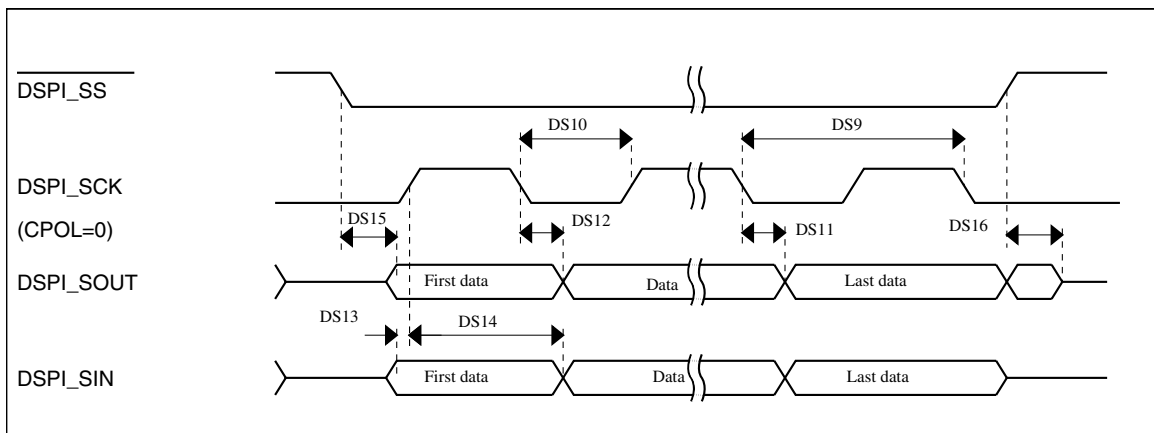
1. The delay is programmable in SPIx\_CTARn[PSSCK] and SPIx\_CTARn[CSSCK].
2. The delay is programmable in SPIx\_CTARn[PASC] and SPIx\_CTARn[ASC].



**Figure 26. DSPI classic SPI timing — master mode**

**Table 45. Slave mode DSPI timing (high-speed mode)**

Num	Description	Min.	Max.	Unit
	Operating voltage	2.7	3.6	V
	Frequency of operation		12.5	MHz
DS9	DSPI_SCK input cycle time	$4 \times t_{BUS}$	—	ns
DS10	DSPI_SCK input high/low time	$(t_{SCK}/2) - 2$	$(t_{SCK}/2) + 2$	ns
DS11	DSPI_SCK to DSPI_SOUT valid	—	10	ns
DS12	DSPI_SCK to DSPI_SOUT invalid	0	—	ns
DS13	DSPI_SIN to DSPI_SCK input setup	2	—	ns
DS14	DSPI_SCK to DSPI_SIN input hold	7	—	ns
DS15	$\overline{DSPI\_SS}$ active to DSPI_SOUT driven	—	14	ns
DS16	$\overline{DSPI\_SS}$ inactive to DSPI_SOUT not driven	—	14	ns

**Figure 27. DSPI classic SPI timing — slave mode**

### 6.8.8 I<sup>2</sup>C switching specifications

See [General switching specifications](#).

### 6.8.9 UART switching specifications

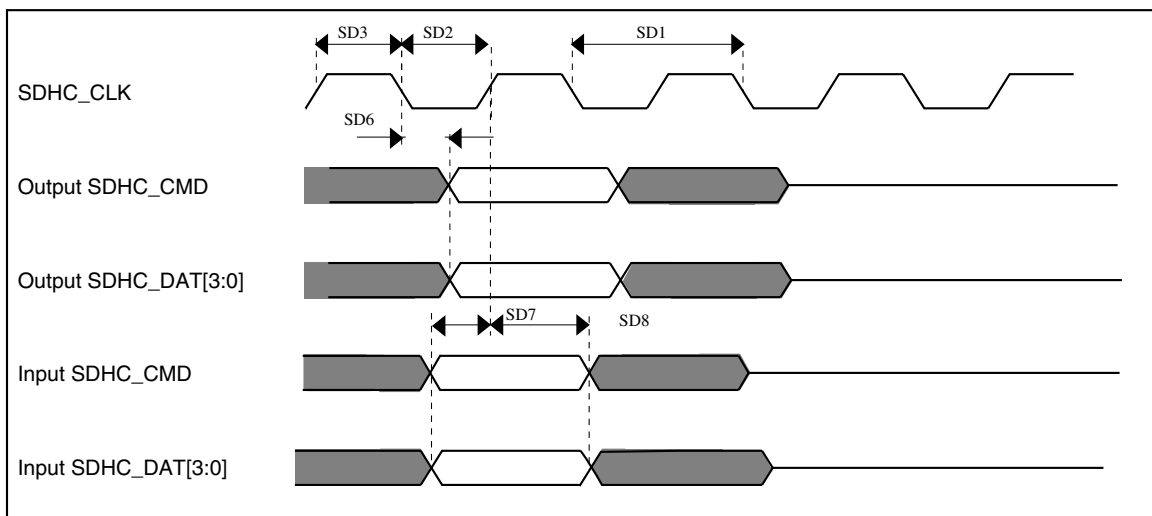
See [General switching specifications](#).

### 6.8.10 SDHC specifications

The following timing specs are defined at the chip I/O pin and must be translated appropriately to arrive at timing specs/constraints for the physical interface.

**Table 46. SDHC switching specifications**

Num	Symbol	Description	Min.	Max.	Unit
		Operating voltage	2.7	3.6	V
<b>Card input clock</b>					
SD1	f <sub>pp</sub>	Clock frequency (low speed)	0	400	kHz
	f <sub>pp</sub>	Clock frequency (SD\SDIO full speed)	0	25	MHz
	f <sub>pp</sub>	Clock frequency (MMC full speed)	0	20	MHz
	f <sub>OD</sub>	Clock frequency (identification mode)	0	400	kHz
SD2	t <sub>WL</sub>	Clock low time	7	—	ns
SD3	t <sub>WH</sub>	Clock high time	7	—	ns
SD4	t <sub>TLH</sub>	Clock rise time	—	3	ns
SD5	t <sub>THL</sub>	Clock fall time	—	3	ns
<b>SDHC output / card inputs SDHC_CMD, SDHC_DAT (reference to SDHC_CLK)</b>					
SD6	t <sub>OD</sub>	SDHC output delay (output valid)	-5	6.5	ns
<b>SDHC input / card inputs SDHC_CMD, SDHC_DAT (reference to SDHC_CLK)</b>					
SD7	t <sub>ISU</sub>	SDHC input setup time	5	—	ns
SD8	t <sub>IH</sub>	SDHC input hold time	0	—	ns



**Figure 28. SDHC timing**

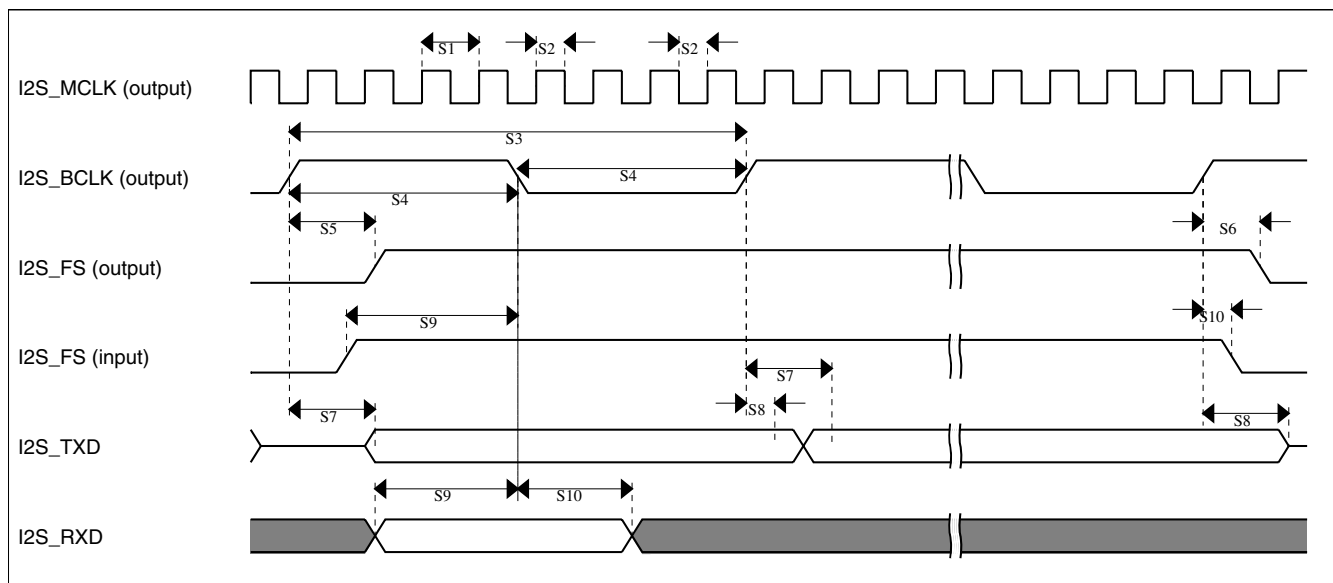


## 6.8.11 I<sup>2</sup>S switching specifications

This section provides the AC timings for the I<sup>2</sup>S in master (clocks driven) and slave modes (clocks input). All timings are given for non-inverted serial clock polarity (TCR[TSCKP] = 0, RCR[RSCKP] = 0) and a non-inverted frame sync (TCR[TFSI] = 0, RCR[RFSI] = 0). If the polarity of the clock and/or the frame sync have been inverted, all the timings remain valid by inverting the clock signal (I2S\_BCLK) and/or the frame sync (I2S\_FS) shown in the figures below.

**Table 47. I<sup>2</sup>S master mode timing**

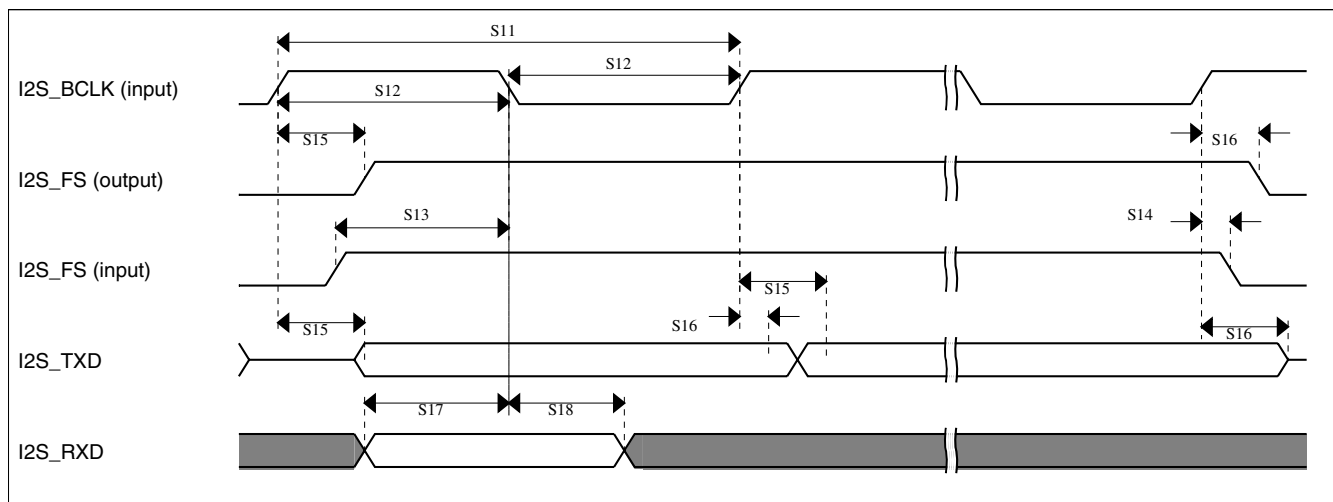
Num	Description	Min.	Max.	Unit
	Operating voltage	2.7	3.6	V
S1	I2S_MCLK cycle time	$2 \times t_{SYS}$		ns
S2	I2S_MCLK pulse width high/low	45%	55%	MCLK period
S3	I2S_BCLK cycle time	$5 \times t_{SYS}$	—	ns
S4	I2S_BCLK pulse width high/low	45%	55%	BCLK period
S5	I2S_BCLK to I2S_FS output valid	—	15	ns
S6	I2S_BCLK to I2S_FS output invalid	-2.5	—	ns
S7	I2S_BCLK to I2S_TXD valid	—	15	ns
S8	I2S_BCLK to I2S_TXD invalid	-3	—	ns
S9	I2S_RXD/I2S_FS input setup before I2S_BCLK	20	—	ns
S10	I2S_RXD/I2S_FS input hold after I2S_BCLK	0	—	ns



**Figure 29. I<sup>2</sup>S timing — master mode**

**Table 48. I<sup>2</sup>S slave mode timing**

Num	Description	Min.	Max.	Unit
	Operating voltage	2.7	3.6	V
S11	I2S_BCLK cycle time (input)	8 x t <sub>sys</sub>	—	ns
S12	I2S_BCLK pulse width high/low (input)	45%	55%	MCLK period
S13	I2S_FS input setup before I2S_BCLK	10	—	ns
S14	I2S_FS input hold after I2S_BCLK	3	—	ns
S15	I2S_BCLK to I2S_TXD/I2S_FS output valid	—	20	ns
S16	I2S_BCLK to I2S_TXD/I2S_FS output invalid	0	—	ns
S17	I2S_RXD setup before I2S_BCLK	10	—	ns
S18	I2S_RXD hold after I2S_BCLK	2	—	ns



**Figure 30. I<sup>2</sup>S timing — slave modes**

## 6.9 Human-machine interfaces (HMI)

### 6.9.1 TSI electrical specifications

**Table 49. TSI electrical specifications**

Symbol	Description	Min.	Typ.	Max.	Unit	Notes
V <sub>DDTSI</sub>	Operating voltage	1.71	—	3.6	V	
C <sub>ELE</sub>	Target electrode capacitance range	1	20	500	pF	1
f <sub>REFmax</sub>	Reference oscillator frequency	—	5.5	TBD	MHz	2
f <sub>ELEmax</sub>	Electrode oscillator frequency	—	0.5	TBD	MHz	3

Table continues on the next page...

**Table 49. TSI electrical specifications (continued)**

Symbol	Description	Min.	Typ.	Max.	Unit	Notes
C <sub>REF</sub>	Internal reference capacitor	TBD	1	TBD	pF	
V <sub>DELTA</sub>	Oscillator delta voltage	TBD	600	TBD	mV	4
I <sub>REF</sub>	Reference oscillator current source base current	—	1.133	TBD	μA	3, 5
I <sub>ELE</sub>	Electrode oscillator current source base current	—	1.133	TBD	μA	3, 5
Pres5	Electrode capacitance measurement precision	—	TBD	TBD	%	6
Pres20	Electrode capacitance measurement precision	—	TBD	TBD	%	7
Pres100	Electrode capacitance measurement precision	—	TBD	TBD	%	8
MaxSens20	Maximum sensitivity @ 20 pF electrode	0.003	0.25	—	fF/count	9
MaxSens	Maximum sensitivity	0.003	—	—	fF/count	10
Res	Resolution	—	—	16	bits	
T <sub>Con20</sub>	Response time @ 20 pF	8	15	25	μs	11
I <sub>TSI_RUN</sub>	Current added in run mode	—	55	—	μA	
I <sub>TSI_LP</sub>	Low power mode current adder	—	1.3	TBD	μA	12

1. The TSI module is functional with capacitance values outside this range. However, optimal performance is not guaranteed.
2. CAPTRM=7, DELVOL=7, and fixed external capacitance of 20 pF.
3. CAPTRM=0, DELVOL=2, and fixed external capacitance of 20 pF.
4. CAPTRM=0, EXTCHRG=9, and fixed external capacitance of 20 pF.
5. The programmable current source value is generated by multiplying the SCANC[REFCHRG] value and the base current.
6. Measured with a 5 pF electrode, reference oscillator frequency of 10 MHz, PS = 128, NSCN = 8; lext = 16.
7. Measured with a 20 pF electrode, reference oscillator frequency of 10 MHz, PS = 128, NSCN = 2; lext = 16.
8. Measured with a 20 pF electrode, reference oscillator frequency of 10 MHz, PS = 16, NSCN = 3; lext = 16.
9. Measured with a 20 pF electrode, reference oscillator frequency of ~5 MHz (I<sub>REF</sub> = 5 μA, REFCHRG = 4), PS = 128, NSCN = 2; lext = 16 (EXTCHRG = 15).
10. Typical value depends on the configuration used.
11. Time to do one complete measurement of the electrode. Sensitivity resolution of 0.0133 pF, PS = 0, NSCN = 0, 1 electrode, DELVOL = 2, EXTCHRG = 15.
12. CAPTRM=7, DELVOL=2, REFCHRG=0, EXTCHRG=4, PS=7, NSCN=0F, LPSCNITV=F, LPO is selected (1 kHz), and fixed external capacitance of 20 pF. Data is captured with an average of 7 periods window.

## 7 Dimensions

### 7.1 Obtaining package dimensions

Package dimensions are provided in package drawings.

To find a package drawing, go to <http://www.freescale.com> and perform a keyword search for the drawing's document number:

## Pinout

If you want the drawing for this package	Then use this document number
100-pin LQFP	98ASS23308W

## 8 Pinout

### 8.1 K60 Signal Multiplexing and Pin Assignments

The following table shows the signals available on each pin and the locations of these pins on the devices supported by this document. The Port Control Module is responsible for selecting which ALT functionality is available on each pin.

100 LQFP	Pin Name	Default	ALT0	ALT1	ALT2	ALT3	ALT4	ALT5	ALT6	ALT7	EzPort
1	PTE0	ADC1_SE4a	ADC1_SE4a	PTE0	SPI1_PCS1	UART1_TX	SDHC0_D1		I2C1_SDA		
2	PTE1	ADC1_SE5a	ADC1_SE5a	PTE1	SPI1_SOUT	UART1_RX	SDHC0_D0		I2C1_SCL		
3	PTE2	ADC1_SE6a	ADC1_SE6a	PTE2	SPI1_SCK	UART1_CTS_b	SDHC0_DCLK				
4	PTE3	ADC1_SE7a	ADC1_SE7a	PTE3	SPI1_SIN	UART1_RTS_b	SDHC0_CMD				
5	PTE4	DISABLED		PTE4	SPI1_PCS0	UART3_TX	SDHC0_D3				
6	PTE5	DISABLED		PTE5	SPI1_PCS2	UART3_RX	SDHC0_D2				
7	PTE6	DISABLED		PTE6	SPI1_PCS3	UART3_CTS_b	I2S0_MCLK		I2S0_CLKIN		
8	VDD	VDD	VDD								
9	VSS	VSS	VSS								
10	USB0_DP	USB0_DP	USB0_DP								
11	USB0_DM	USB0_DM	USB0_DM								
12	VOUT33	VOUT33	VOUT33								
13	VREGIN	VREGIN	VREGIN								
14	ADC0_DP1	ADC0_DP1	ADC0_DP1								
15	ADC0_DM1	ADC0_DM1	ADC0_DM1								
16	ADC1_DP1	ADC1_DP1	ADC1_DP1								
17	ADC1_DM1	ADC1_DM1	ADC1_DM1								
18	PGA0_DP/ ADC0_DP0/ ADC1_DP3	PGA0_DP/ ADC0_DP0/ ADC1_DP3	PGA0_DP/ ADC0_DP0/ ADC1_DP3								
19	PGA0_DM/ ADC0_DM0/ ADC1_DM3	PGA0_DM/ ADC0_DM0/ ADC1_DM3	PGA0_DM/ ADC0_DM0/ ADC1_DM3								
20	PGA1_DP/ ADC1_DP0/ ADC0_DP3	PGA1_DP/ ADC1_DP0/ ADC0_DP3	PGA1_DP/ ADC1_DP0/ ADC0_DP3								

100 LQFP	Pin Name	Default	ALT0	ALT1	ALT2	ALT3	ALT4	ALT5	ALT6	ALT7	EzPort
21	PGA1_DM/ ADC1_DM0/ ADC0_DM3	PGA1_DM/ ADC1_DM0/ ADC0_DM3	PGA1_DM/ ADC1_DM0/ ADC0_DM3								
22	VDDA	VDDA	VDDA								
23	VREFH	VREFH	VREFH								
24	VREFL	VREFL	VREFL								
25	VSSA	VSSA	VSSA								
26	VREF_OUT/ CMP1_IN5/ CMP0_IN5/ ADC1_SE18	VREF_OUT/ CMP1_IN5/ CMP0_IN5/ ADC1_SE18	VREF_OUT/ CMP1_IN5/ CMP0_IN5/ ADC1_SE18								
27	DAC0_OUT/ CMP1_IN3/ ADC0_SE23	DAC0_OUT/ CMP1_IN3/ ADC0_SE23	DAC0_OUT/ CMP1_IN3/ ADC0_SE23								
28	XTAL32	XTAL32	XTAL32								
29	EXTAL32	EXTAL32	EXTAL32								
30	VBAT	VBAT	VBAT								
31	PTE24	ADC0_SE17	ADC0_SE17	PTE24	CAN1_TX	UART4_TX			EWM_OUT_b		
32	PTE25	ADC0_SE18	ADC0_SE18	PTE25	CAN1_RX	UART4_RX			EWM_IN		
33	PTE26	DISABLED		PTE26		UART4_CTS_b	ENET_1588_CLKIN		RTC_CLKOUT	USB_CLKIN	
34	PTA0	JTAG_TCLK/ SWD_CLK/ EZP_CLK	TSIO_CH1	PTA0	UART0_CTS_b	FTM0_CH5				JTAG_TCLK/ SWD_CLK	EZP_CLK
35	PTA1	JTAG_TDI/ EZP_DI	TSIO_CH2	PTA1	UART0_RX	FTM0_CH6				JTAG_TDI	EZP_DI
36	PTA2	JTAG_TDO/ TRACE_SWO/ EZP_DO	TSIO_CH3	PTA2	UART0_TX	FTM0_CH7				JTAG_TDO/ TRACE_SWO	EZP_DO
37	PTA3	JTAG_TMS/ SWD_DIO	TSIO_CH4	PTA3	UART0_RTS_b	FTM0_CH0				JTAG_TMS/ SWD_DIO	
38	PTA4	NMI_b/ EZP_CS_b	TSIO_CH5	PTA4		FTM0_CH1				NMI_b	EZP_CS_b
39	PTA5	DISABLED		PTA5		FTM0_CH2	RMII0_RXER/ MII0_RXER	CMP2_OUT	I2S0_RX_BCLK	JTAG_TRST	
40	VDD	VDD	VDD								
41	VSS	VSS	VSS								
42	PTA12	CMP2_IN0	CMP2_IN0	PTA12	CAN0_TX	FTM1_CH0	RMII0_RXD1/ MII0_RXD1		I2S0_TXD	FTM1_QD_PHA	
43	PTA13	CMP2_IN1	CMP2_IN1	PTA13	CAN0_RX	FTM1_CH1	RMII0_RXD0/ MII0_RXD0		I2S0_TX_FS	FTM1_QD_PHB	
44	PTA14	DISABLED		PTA14	SPI0_PCS0	UART0_TX	RMII0_CRS_DV/ MII0_RXDV		I2S0_TX_BCLK		

## Pinout

100 LQFP	Pin Name	Default	ALT0	ALT1	ALT2	ALT3	ALT4	ALT5	ALT6	ALT7	EzPort
45	PTA15	DISABLED		PTA15	SPI0_SCK	UART0_RX	RMII0_TXEN /MII0_TXEN		I2S0_RXD		
46	PTA16	DISABLED		PTA16	SPI0_SOUT	UART0_CTS_b	RMII0_TXD0 /MII0_TXD0		I2S0_RX_FS		
47	PTA17	ADC1_SE17	ADC1_SE17	PTA17	SPI0_SIN	UART0_RTS_b	RMII0_TXD1 /MII0_TXD1		I2S0_MCLK	I2S0_CLKIN	
48	VDD	VDD	VDD								
49	VSS	VSS	VSS								
50	PTA18	EXTAL	EXTAL	PTA18		FTM0_FLT2	FTM_CLKIN0				
51	PTA19	XTAL	XTAL	PTA19		FTM1_FLT0	FTM_CLKIN1		LPT0_ALT1		
52	RESET_b	RESET_b	RESET_b								
53	PTB0	/ADC0_SE8/ ADC1_SE8/ TSI0_CH0	/ADC0_SE8/ ADC1_SE8/ TSI0_CH0	PTB0	I2C0_SCL	FTM1_CH0	RMII0_MDIO /MII0_MDIO		FTM1_QD_P HA		
54	PTB1	/ADC0_SE9/ ADC1_SE9/ TSI0_CH6	/ADC0_SE9/ ADC1_SE9/ TSI0_CH6	PTB1	I2C0_SDA	FTM1_CH1	RMII0_MDC/ MII0_MDC		FTM1_QD_P HB		
55	PTB2	/ ADC0_SE12/ TSI0_CH7	/ ADC0_SE12/ TSI0_CH7	PTB2	I2C0_SCL	UART0_RTS_b	ENET0_158 8_TMR0		FTM0_FLT3		
56	PTB3	/ ADC0_SE13/ TSI0_CH8	/ ADC0_SE13/ TSI0_CH8	PTB3	I2C0_SDA	UART0_CTS_b	ENET0_158 8_TMR1		FTM0_FLT0		
57	PTB9			PTB9	SPI1_PCS1	UART3_CTS_b		FB_AD20			
58	PTB10	/ADC1_SE14	/ADC1_SE14	PTB10	SPI1_PCS0	UART3_RX		FB_AD19	FTM0_FLT1		
59	PTB11	/ADC1_SE15	/ADC1_SE15	PTB11	SPI1_SCK	UART3_TX		FB_AD18	FTM0_FLT2		
60	VSS	VSS	VSS								
61	VDD	VDD	VDD								
62	PTB16	/TSI0_CH9	/TSI0_CH9	PTB16	SPI1_SOUT	UART0_RX		FB_AD17	EWM_IN		
63	PTB17	/TSI0_CH10	/TSI0_CH10	PTB17	SPI1_SIN	UART0_TX		FB_AD16	EWM_OUT_b		
64	PTB18	/TSI0_CH11	/TSI0_CH11	PTB18	CAN0_TX	FTM2_CH0	I2S0_TX_BC LK	FB_AD15	FTM2_QD_P HA		
65	PTB19	/TSI0_CH12	/TSI0_CH12	PTB19	CAN0_RX	FTM2_CH1	I2S0_TX_FS	FB_OE_b	FTM2_QD_P HB		
66	PTB20			PTB20	SPI2_PCS0			FB_AD31	CMP0_OUT		
67	PTB21			PTB21	SPI2_SCK			FB_AD30	CMP1_OUT		
68	PTB22			PTB22	SPI2_SOUT			FB_AD29	CMP2_OUT		
69	PTB23			PTB23	SPI2_SIN	SPI0_PCS5		FB_AD28			
70	PTC0	/ ADC0_SE14/ TSI0_CH13	/ ADC0_SE14/ TSI0_CH13	PTC0	SPI0_PCS4	PDB0_EXTR G	I2S0_TXD	FB_AD14			

100 LQFP	Pin Name	Default	ALT0	ALT1	ALT2	ALT3	ALT4	ALT5	ALT6	ALT7	EzPort
71	PTC1	/ ADC0_SE15/ TSI0_CH14	/ ADC0_SE15/ TSI0_CH14	PTC1	SPI0_PCS3	UART1_RTS_b	FTM0_CH0	FB_AD13			
72	PTC2	/ ADC0_SE4b/ CMP1_IN0/ TSI0_CH15	/ ADC0_SE4b/ CMP1_IN0/ TSI0_CH15	PTC2	SPI0_PCS2	UART1_CTS_b	FTM0_CH1	FB_AD12			
73	PTC3	/CMP1_IN1	/CMP1_IN1	PTC3	SPI0_PCS1	UART1_RX	FTM0_CH2	FB_CLKOUT			
74	VSS	VSS	VSS								
75	VDD	VDD	VDD								
76	PTC4			PTC4	SPI0_PCS0	UART1_TX	FTM0_CH3	FB_AD11	CMP1_OUT		
77	PTC5			PTC5	SPI0_SCK		LPT0_ALT2	FB_AD10	CMP0_OUT		
78	PTC6	/CMP0_IN0	/CMP0_IN0	PTC6	SPI0_SOUT	PDB0_EXTRG		FB_AD9			
79	PTC7	/CMP0_IN1	/CMP0_IN1	PTC7	SPI0_SIN			FB_AD8			
80	PTC8	/ ADC1_SE4b/ CMP0_IN2	/ ADC1_SE4b/ CMP0_IN2	PTC8		I2S0_MCLK	I2S0_CLKIN	FB_AD7			
81	PTC9	/ ADC1_SE5b/ CMP0_IN3	/ ADC1_SE5b/ CMP0_IN3	PTC9			I2S0_RX_BCLK	FB_AD6	FTM2_FLT0		
82	PTC10	/ ADC1_SE6b/ CMP0_IN4	/ ADC1_SE6b/ CMP0_IN4	PTC10	I2C1_SCL		I2S0_RX_FS	FB_AD5			
83	PTC11	/ADC1_SE7b	/ADC1_SE7b	PTC11	I2C1_SDA		I2S0_RXD	FB_RW_b			
84	PTC12			PTC12		UART4_RTS_b		FB_AD27			
85	PTC13			PTC13		UART4_CTS_b		FB_AD26			
86	PTC14			PTC14		UART4_RX		FB_AD25			
87	PTC15			PTC15		UART4_TX		FB_AD24			
88	VSS	VSS	VSS								
89	VDD	VDD	VDD								
90	PTC16			PTC16	CAN1_RX	UART3_RX	ENET0_158_8_TMR0	FB_CS5_b/ FB_TSIZ1/ FB_BE23_16_BLS15_8_b			
91	PTC17			PTC17	CAN1_TX	UART3_TX	ENET0_158_8_TMR1	FB_CS4_b/ FB_TSIZ0/ FB_BE31_24_BLS7_0_b			
92	PTC18			PTC18		UART3_RTS_b	ENET0_158_8_TMR2	FB_TBST_b/ FB_CS2_b/ FB_BE15_8_BLS23_16_b			
93	PTD0			PTD0	SPI0_PCS0	UART2_RTS_b		FB_ALE/ FB_CS1_b/ FB_TS_b			

## Pinout

100 LQFP	Pin Name	Default	ALT0	ALT1	ALT2	ALT3	ALT4	ALT5	ALT6	ALT7	EzPort
94	PTD1	/ADC0_SE5b	/ADC0_SE5b	PTD1	SPI0_SCK	UART2_CTS_b		FB_CS0_b			
95	PTD2			PTD2	SPI0_SOUT	UART2_RX		FB_AD4			
96	PTD3			PTD3	SPI0_SIN	UART2_TX		FB_AD3			
97	PTD4			PTD4	SPI0_PCS1	UART0_RTS_b	FTM0_CH4	FB_AD2	EWM_IN		
98	PTD5	/ADC0_SE6b	/ADC0_SE6b	PTD5	SPI0_PCS2	UART0_CTS_b	FTM0_CH5	FB_AD1	EWM_OUT_b		
99	PTD6	/ADC0_SE7b	/ADC0_SE7b	PTD6	SPI0_PCS3	UART0_RX	FTM0_CH6	FB_AD0	FTM0_FLT0		
100	PTD7			PTD7	CMT_IRO	UART0_TX	FTM0_CH7		FTM0_FLT1		

## 8.2 K60 Pinouts

The below figure shows the pinout diagram for the devices supported by this document. Many signals may be multiplexed onto a single pin. To determine what signals can be used on which pin, see the previous section.



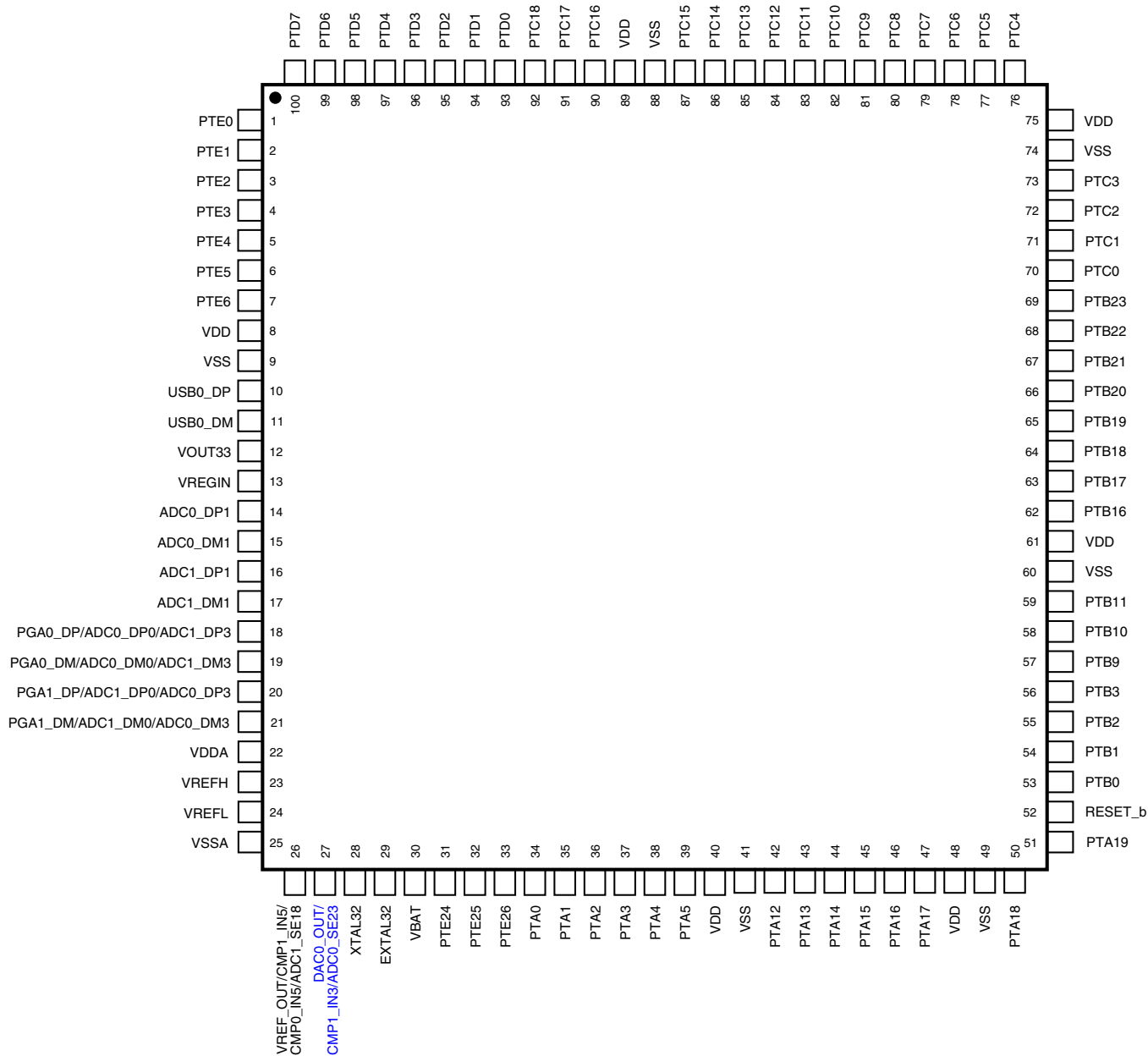


Figure 31. K60 100 LQFP Pinout Diagram

## 9 Revision History

The following table provides a revision history for this document.

**Table 50. Revision History**

Rev. No.	Date	Substantial Changes
1	11/2010	Initial public revision

*Table continues on the next page...*

Table 50. Revision History (continued)

Rev. No.	Date	Substantial Changes
2	3/2011	Many updates throughout
3	3/2011	Added sections that were inadvertently removed in previous revision
4	3/2011	Reworded $I_{IC}$ footnote in "Voltage and Current Operating Requirements" table. Added paragraph to "Peripheral operating requirements and behaviors" section. Added "JTAG full voltage range electricals" table to the "JTAG electricals" section.
5	6/2011	<ul style="list-style-type: none"> <li>• Changed supported part numbers per new part number scheme</li> <li>• Changed <i>DC injection current</i> specs in "Voltage and current operating requirements" table</li> <li>• Changed <i>Input leakage current</i> and <i>internal pullup/pulldown resistor</i> specs in "Voltage and current operating behaviors" table</li> <li>• Split <i>Low power stop mode current</i> specs by temperature range in "Power consumption operating behaviors" table</li> <li>• Changed typical <math>I_{DD\_VBAT}</math> spec in "Power consumption operating behaviors" table</li> <li>• Added ENET and LPTMR clock specs to "Device clock specifications" table</li> <li>• Changed <i>Minimum external reset pulse width</i> in "General switching specifications" table</li> <li>• Changed <i>PLL operating current</i> in "MCG specifications" table</li> <li>• Added footnote to <i>PLL period jitter</i> in "MCG specifications" table</li> <li>• Changed <i>Supply current</i> in "Oscillator DC electrical specifications" table</li> <li>• Changed <i>Crystal startup time</i> in "Oscillator frequency specifications" table</li> <li>• Changed <i>Operating voltage</i> in "EzPort switching specifications" table</li> <li>• Changed title of "FlexBus switching specifications" table and added Output valid and hold specs</li> <li>• Added "FlexBus full range switching specifications" table</li> <li>• Changed <i>ADC asynchronous clock source</i> specs in "16-bit ADC characteristics" table</li> <li>• Changed <i>Gain</i> spec in "16-bit ADC with PGA characteristics" table</li> <li>• Added typical <i>Input DC current</i> to "16-bit ADC with PGA characteristics" table</li> <li>• Changed <i>Input offset voltage</i> and <i>ENOB</i> notes field in "16-bit ADC with PGA characteristics" table</li> <li>• Changed <i>Analog comparator initialization delay</i> in "Comparator and 6-bit DAC electrical specifications"</li> <li>• Changed <i>Code-to-code settling time</i>, <i>DAC output voltage range low</i>, and <i>Temperature coefficient offset voltage</i> in "12-bit DAC operating behaviors" table</li> <li>• Changed <i>Temperature drift</i> and <i>Load regulation</i> in "VREF full-range operating behaviors" table</li> <li>• Changed <i>Regulator output voltage</i> in "USB VREG electrical specifications" table</li> <li>• Changed <math>I_{LIM}</math> description and specs in "USB VREG electrical specifications" table</li> <li>• Changed <i>DSPI_SCK cycle time</i> specs in "DSPI timing" tables</li> <li>• Changed <math>\overline{DSPI\_SS}</math> specs in "Slave mode DSPI timing (low-speed mode)" table</li> <li>• Changed <i>DSPI_SCK to DSPI_SOUT valid</i> spec in "Slave mode DSPI timing (high-speed mode)" table</li> <li>• Changed <i>Reference oscillator current source base current</i> spec and added <i>Low-power current adder</i> footer in "TSI electrical specifications" table</li> </ul>

## How to Reach Us:

### Home Page:

[www.freescale.com](http://www.freescale.com)

### Web Support:

<http://www.freescale.com/support>

### USA/Europe or Locations Not Listed:

Freescale Semiconductor  
Technical Information Center, EL516  
2100 East Elliot Road  
Tempe, Arizona 85284  
+1-800-521-6274 or +1-480-768-2130  
[www.freescale.com/support](http://www.freescale.com/support)

### Europe, Middle East, and Africa:

Freescale Halbleiter Deutschland GmbH  
Technical Information Center  
Schatzbogen 7  
81829 Muenchen, Germany  
+44 1296 380 456 (English)  
+46 8 52200080 (English)  
+49 89 92103 559 (German)  
+33 1 69 35 48 48 (French)  
[www.freescale.com/support](http://www.freescale.com/support)

### Japan:

Freescale Semiconductor Japan Ltd.  
Headquarters  
ARCO Tower 15F  
1-8-1, Shimo-Meguro, Meguro-ku,  
Tokyo 153-0064  
Japan  
0120 191014 or +81 3 5437 9125  
[support.japan@freescale.com](mailto:support.japan@freescale.com)

### Asia/Pacific:

Freescale Semiconductor China Ltd.  
Exchange Building 23F  
No. 118 Jianguo Road  
Chaoyang District  
Beijing 100022  
China  
+86 10 5879 8000  
[support.asia@freescale.com](mailto:support.asia@freescale.com)

### For Literature Requests Only:

Freescale Semiconductor Literature Distribution Center  
1-800-441-2447 or +1-303-675-2140  
Fax: +1-303-675-2150  
[LDCForFreescaleSemiconductor@hibbertgroup.com](mailto:LDCForFreescaleSemiconductor@hibbertgroup.com)

Information in this document is provided solely to enable system and software implementers to use Freescale Semiconductors products. There are no express or implied copyright licenses granted hereunder to design or fabricate any integrated circuits or integrated circuits based on the information in this document.

Freescale Semiconductor reserves the right to make changes without further notice to any products herein. Freescale Semiconductor makes no warranty, representation, or guarantee regarding the suitability of its products for any particular purpose, nor does Freescale Semiconductor assume any liability arising out of the application or use of any product or circuit, and specifically disclaims any liability, including without limitation consequential or incidental damages. "Typical" parameters that may be provided in Freescale Semiconductor data sheets and/or specifications can and do vary in different applications and actual performance may vary over time. All operating parameters, including "Typicals", must be validated for each customer application by customer's technical experts. Freescale Semiconductor does not convey any license under its patent rights nor the rights of others. Freescale Semiconductor products are not designed, intended, or authorized for use as components in systems intended for surgical implant into the body, or other applications intended to support or sustain life, or for any other application in which failure of the Freescale Semiconductor product could create a situation where personal injury or death may occur. Should Buyer purchase or use Freescale Semiconductor products for any such unintended or unauthorized application, Buyer shall indemnify Freescale Semiconductor and its officers, employees, subsidiaries, affiliates, and distributors harmless against all claims, costs, damages, and expenses, and reasonable attorney fees arising out of, directly or indirectly, any claim of personal injury or death associated with such unintended or unauthorized use, even if such claims alleges that Freescale Semiconductor was negligent regarding the design or manufacture of the part.

RoHS-compliant and/or Pb-free versions of Freescale products have the functionality and electrical characteristics as their non-RoHS-compliant and/or non-Pb-free counterparts. For further information, see <http://www.freescale.com> or contact your Freescale sales representative.

For information on Freescale's Environmental Products program, go to <http://www.freescale.com/epp>.

Freescale™ and the Freescale logo are trademarks of Freescale Semiconductor, Inc. All other product or service names are the property of their respective owners.

© 2010–2011 Freescale Semiconductor, Inc.

