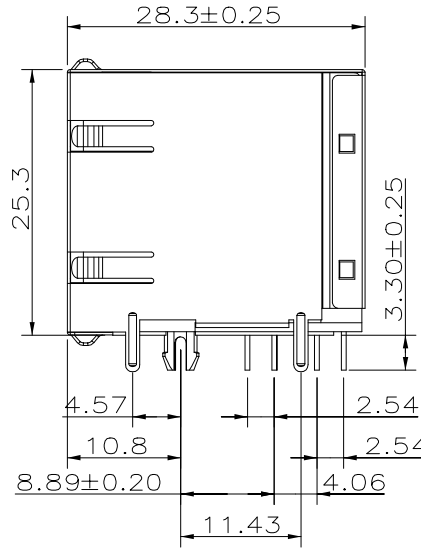
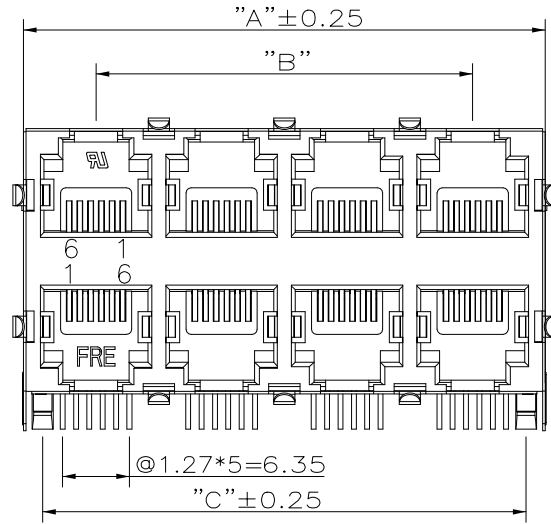


REVISION RECORD				
REV	ECO	DESCRIPTION	DRFT	CHKD



NOTES:

ELECTRICAL:

- VOLTAGE RATING : 125 VAC RMS.
- CURRENT RATING : 1.5 AMP.
- CONTACT RESISTANCE : 50 MILLIOHMS MAX.
- INSULATION RESISTANCE: 1000 MEGOHMS MIN @ 500 VDC.
- DIELECTRIC STRENGTH : 1000 VAC RMS 60Hz, 1MIN.

MECHANICAL:

- HOUSING MATERIAL : NYLON+30%.G.F(FR52) UL94V-0.
- CONTACT MATERIAL : PHOSPHOR BRONZE Ø0.46mm.
- PLATING : GOLD PLATING OVER NICKEL.
- OPERATING LIFE : 750 CYCLES MIN.
- PCB RETENTION PRE-SOLDER : 1 LB MIN.
- PCB RETENTION POST-SOLDER : 10 LBS MIN.

ENVIRONMENTAL:

- STORAGE: -40°C TO +85°C.
- OPERATION: 0°C TO 70°C.
- WAVE SOLDERING TEMPERATURE : 255~265°C (5~10 SECONDS)

MATES WITH MODULAR PLUG CONFORMING TO FCC PART 68, SUBPART F.

PART NUMBER: E596X-XXX13X-L

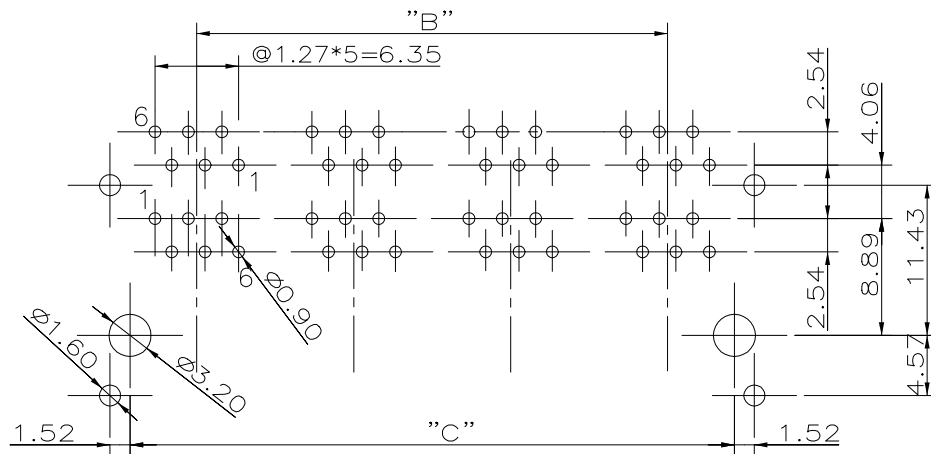
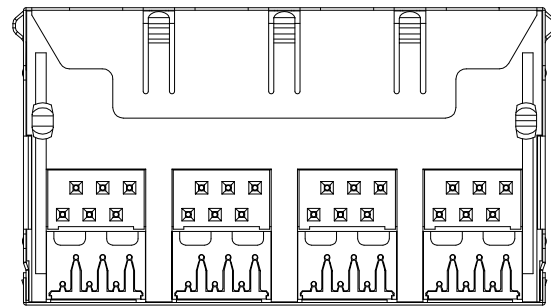
Contact
4-4C
6-6C

Gold Thickness:
1- 3u" 2- 6u" 3-15u"
4-30u" 5-50u" 6-Pd20u"

Tab:
1-W/O Tab
5-W/ Top & Side & Bottom tabs

Ports
A-2x2 C-2x4 D-2x5
E-2x6 G-2x8

Shield:
D-Nickel Plated With Tinned Grounding Peg
7- Nickel



PORT DIM	2x2	2x4	2x5	2x6	2x8
"A"±0.25	25.74	49.61	61.55	73.49	97.37
"B"	11.938	35.814	47.752	59.690	83.566
"C"±0.25	22.10	45.97	57.91	69.85	93.73

DETACHED LISTS	← MM →	DFTO Qianpu	DATE 5/24/05'	FULL RISE ELECTRONIC CO., LTD	
	TOLERANCES EXCEPT AS NOTED	CHKD YICAN	DATE 2005/5/24		
	.0 ± 0.2	MFO	DATE	TITLE RJ11 STACKED PCB GANG JACK	
	.00 ± 0.15	APPLVLSAMMY	DATE 2005/5/24		
.000 ± 0.075	MATERIAL :		DRAWING NO. GE593A69-LA		
ANGLES ± 0.5	QT'Y :				SIZE A3
THIRD ANGLE PROJECTION	FINISH :		DO NOT SCALE DRAWING		
	SCALE : 2:1				SHEET 1 OF 1