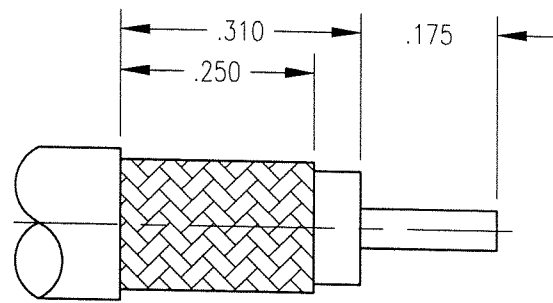
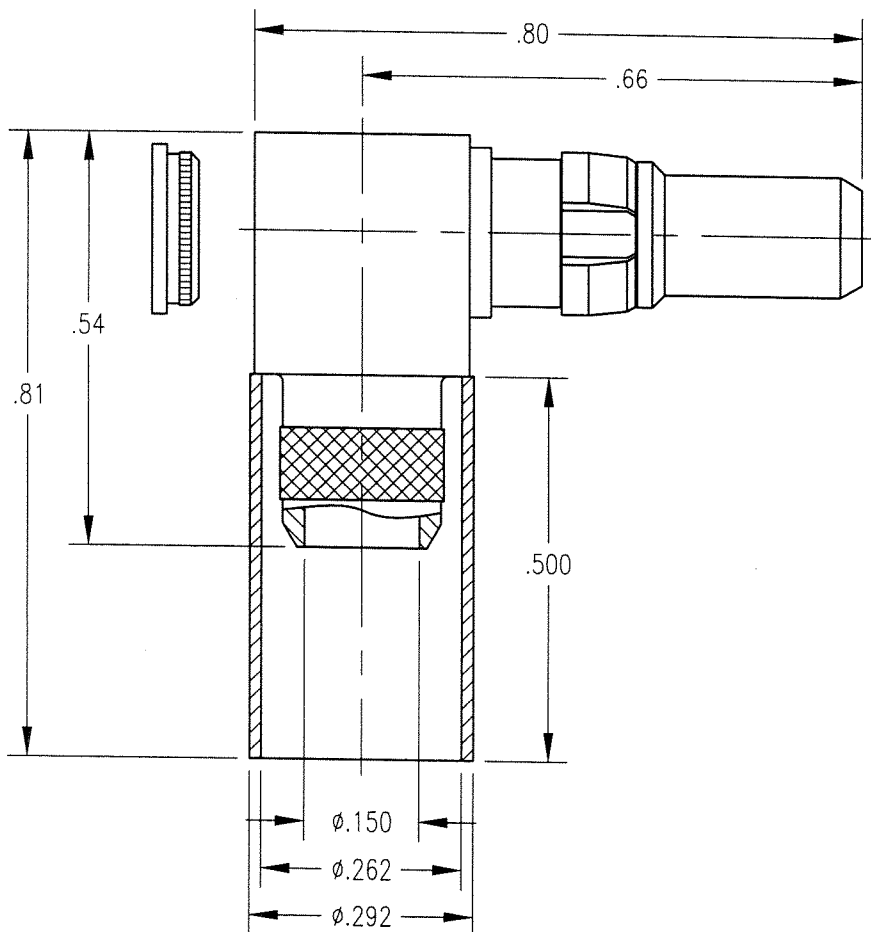


DWG. NO. 312-910-1163G			
REV	DESCRIPTION	BY DATE	APPD
B	ECN 2572	12/17/00 JMC	[Signature]



CABLE TRIMMING DIMENSIONS

NOTES:

- MATERIALS:
 BODY: BRASS PER ASTM B16
 CONTACT: BERYLLIUM COPPER PER ASTM B196
 CLIP RING: BERYLLIUM COPPER PER ASTM B194
 INSULATOR: TEFLON PER ASTM D1710
- FINISH:
 BODY AND CONTACT: .000030 MIN. GOLD PER MIL-G-45024 OVER
 .000050 MIN. NICKEL PER QQ-N-290
 CLIP RING: .000100 MIN. NICKEL PER QQ-N-290 OVER COPPER
 FLASH
 FERRULE AND CAP: .000005 MIN. GOLD PER MIL-G-45204 OVER
 .000050 MIN. NICKEL PER QQ-N-290
- FOR ASSEMBLY USE CAP 9-16 WITH ABOVE TRIMMING DIMENSIONS.
- CRIMP FERRULE WITH .255 HEX. DIE.

PER ASME Y14.5M-1994 UNLESS OTHERWISE SPECIFIED: DIMENSIONS ARE IN INCHES [MM]		Litton	
TOLERANCES: DECIMALS .xx ± .01/0.254 xxx ± .005/0.127 ANGLES ± 2°		Winchester/Retconn 400 Park Road Watertown, Connecticut 06795	
CUSTOMER DRAWING		TITLE R/A 31 SERIES PLUG FOR LL-142 CABLE	
DRAWN KJT	DATE 09/28/00	CHECKED MJF	DATE 9/28/00
APPROVED JMC	DATE 9/28/00	APPROVED CA	DATE 9/28/00
A		312-910-1163G	SHT. 1 OF 1 REV. B