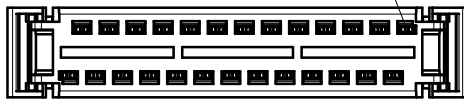
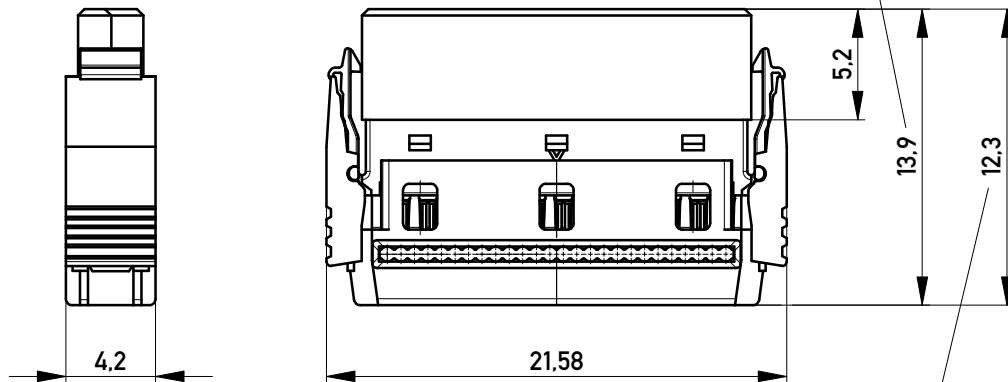


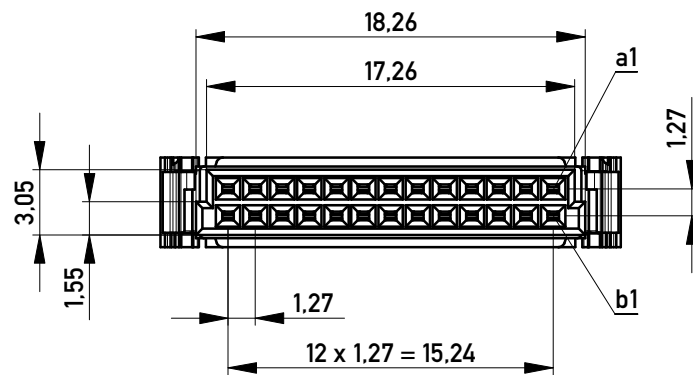
rote Kennader auf b1
red edge at b1



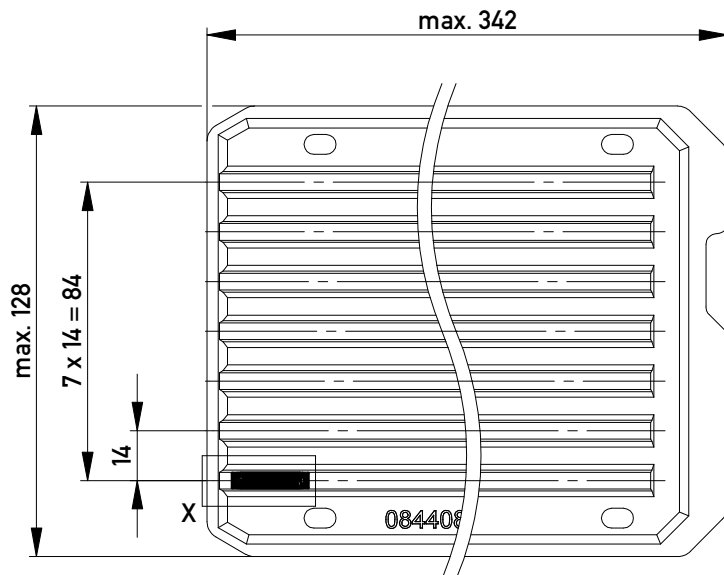
mit aufgesetzter Drahtführung (Anlieferungszustand)
wire guide loose mounted (state at time of supply)



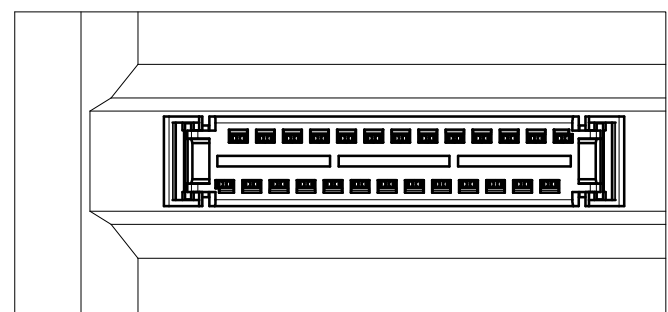
Drahtführung verpresst
wire guide pressed on



Verpackt in Tray - tray packaging
Verpackungseinheit 98 Stück - packaging unit 98



Einzelheit X
detail X



Federleiste mit Schneidklemmanschluß Bauform B, BA 6
mit Verriegelungsmechanismus (angespritzt)

IDC Female Connector Type B with Locking Latches
(formed on), BA 6

Information:	Tolerances	Scale 3:1	
		All Dimensions in mm	
All rights reserved. Only for Information. To ensure that this is the latest version of this drawing, please contact one of the ERNI companies before using.	Subject to modification without prior notice. Drawing will not be updated.	Designation	
		Federleiste SMC-B, SKV 26-pol. Female SMC-B, SKV 26 contacts	
c	27.05.2014	www.ERNI.com	100100440001
Index	Date		Class SMCB

Copyright by ERNI GmbH
Proprietary notice pursuant to ISO 16016 to be observed.