



75 Ohm BNC Female Connector Solder Attachment
4 Hole Flange Turret Terminal, .531 inch Hole Spacing

TECHNICAL DATA SHEET

PE4618

75 Ohm BNC Female Connector Solder Attachment 4 Hole Flange Turret Terminal, .531 inch Hole Spacing

Configuration

Connector	BNC Female
Connector Interface Type	Turret
Cable Attachment Method (Shield/Contact)	Solder
Body Style	Straight
Mount Method	4 Hole Flange

Electrical Specifications

Impedance, Ohms	75
-----------------	----

Mechanical Specifications

Size

Length, in [mm]	1.07 [27.18]
Width/Dia., in [mm]	0.75 [19.05]
Height, in [mm]	0.75 [19.05]
Weight, lbs [g]	0.013 [5.9]

Connector

Type	BNC Female
Contact Material and Plating	Silver
Body Material and Plating	Brass, Nickel
Dielectric Type	Teflon

Compliance Certifications (visit www.Pasternack.com for current document)

RoHS Compliant	Yes
----------------	-----

Plotted and Other Data

Notes:	Values at 25 °C, sea level
--------	----------------------------

75 Ohm BNC Female Connector Solder Attachment 4 Hole Flange Turret Terminal, .531 inch Hole Spacing from Pasternack Enterprises has same day shipment for domestic and International orders. Our RF, microwave and fiber optic products maintain a 99% availability and are part of the broadest selection in the industry.

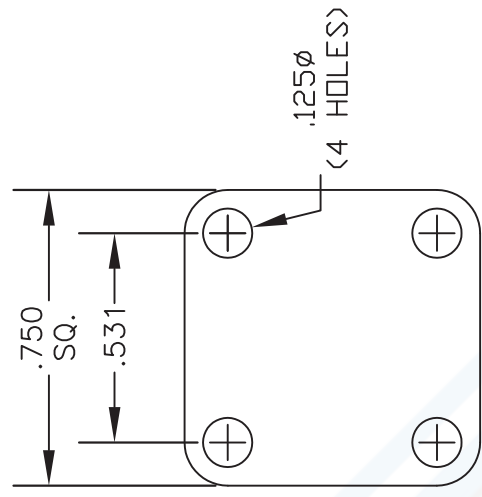
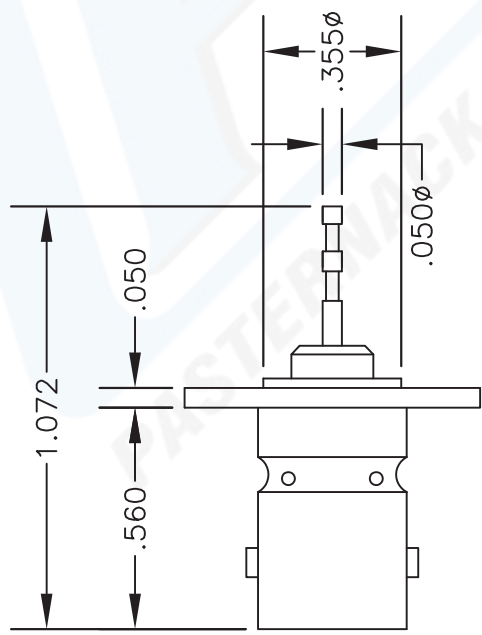
Click the following link (or enter part number in "SEARCH" on website) to obtain additional part information including price, inventory and certifications: [75 Ohm BNC Female Connector Solder Attachment 4 Hole Flange Turret Terminal, .531 inch Hole Spacing PE4618](http://www.pasternack.com/bnc-female-standard-turret-terminal-connector-pe4618-p.aspx)

URL: <http://www.pasternack.com/bnc-female-standard-turret-terminal-connector-pe4618-p.aspx>

The information contained in this document is accurate to the best of our knowledge and representative of the part described herein. It may be necessary to make modifications to the part and/or the documentation of the part, in order to implement improvements. Pasternack reserves the right to make such changes as required. Unless otherwise stated, all specifications are nominal.



MATERIALS	
BODY	BRASS NICKEL PLATED
CONTACT	SILVER PLATED
INSULATOR	PTFE



MOUNTING HOLES



PASTERNAK ENTERPRISES, INC.
P.O. BOX 16759, IRVINE, CA 92623
PHONE (949) 261-1920 FAX (949) 261-7451
WEB ADDRESS: www.pasternack.com
E-MAIL ADDRESS: sales@pasternack.com
COAXIAL & FIBER OPTICS

DWG TITLE		DES.	
PE4618		"75 OHM BNC" FEMALE, PANEL RECEPTACLE, TURRET TERMINAL	
SIZE A	FSCM NO. 53919	CAD FILE	052902
		SCALE	N/A
			127

NOTES:

1. UNLESS OTHERWISE SPECIFIED ALL DIMENSIONS ARE NOMINAL.
2. ALL SPECIFICATIONS ARE SUBJECT TO CHANGE WITHOUT NOTICE AT ANY TIME.