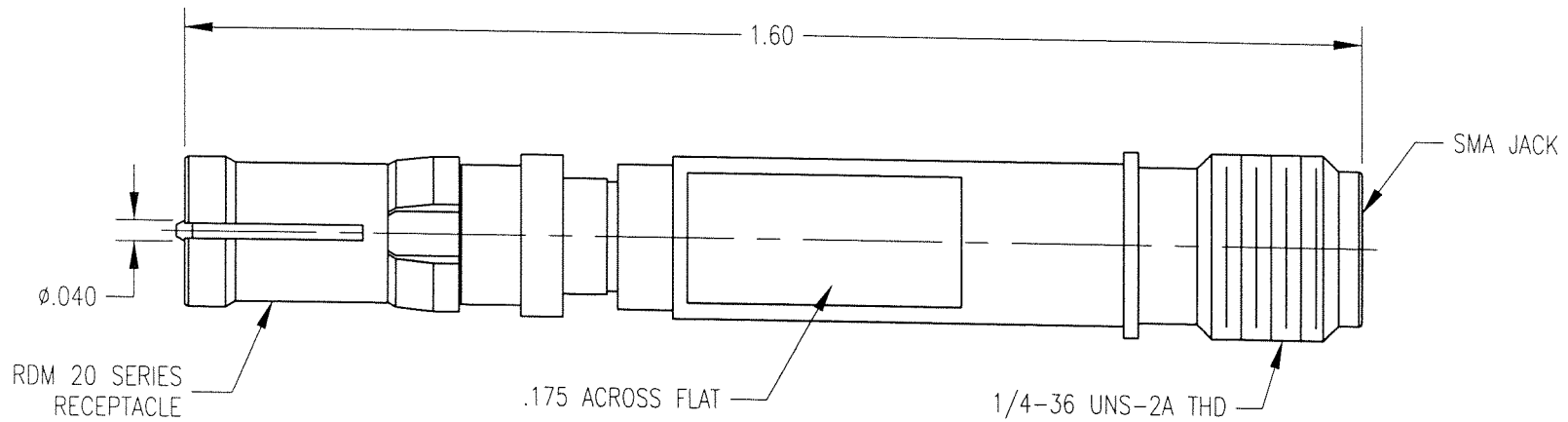


DWG. NO.			
201-351-0000H			
REV	DESCRIPTION	BY	APP'D
C	ECR 6594	10/27/00 JWH	[Signature]



NOTES:

1. MATERIAL:

RDM BODY AND CONTACT: BERYLLIUM COPPER PER ASTM B196
 SMA BODY: BRASS PER ASTM B16
 INSULATOR: TEFLON PER ASTM D1710
 CLIP RING: BERYLLIUM COPPER PER ASTM B194

2. FINISH:

BODIES: .000008 MIN. GOLD PER MIL-G-45204 OVER
 .000050 MIN. NICKEL PER QQ-N-290
 CENTER CONTACT: .000015 MIN. GOLD PER MIL-G-45204 OVER
 .000050 MIN. NICKEL PER QQ-N-290
 CLIP RING: .000100 MIN. NICKEL PER QQ-N-290 OVER
 COPPER FLASH

PER ASME Y14.5M-1994 UNLESS OTHERWISE SPECIFIED: DIMENSIONS ARE IN INCHES [MM]		Litton	
TOLERANCES: DECIMALS .XX ± .01/0.254 XXX ± .005/0.127 ANGLES ± 2°		Winchester/Retconn 400 Park Road Watertown, Connecticut 06795	
CUSTOMER DRAWING		TITLE	
DRAWN DATE CHECKED DATE JWH 3/6/00 JED 3/6/00		RDM RECEPTACLE TO SMA JACK ADAPTOR	
APPROVED DATE APPROVED DATE JMC 3/6/00 KJT 3/6/00		A 201-351-0000H	
		SHT.	REV.
		1	1 C