

3-2 Triacs

Triacs

Part Number	Absolute Maximum Ratings										I _{DRM1}		I _{BRM2}		V _{TM}	
	V _{DRM} (V)	I _T (RMS) (A)	Conditions	I _{TSM} (A)	Conditions	P _{GM} (W)	P _G (AV) (W)	I _{GM} (A)	T _J (°C)	T _{stg} (°C)	(mA) max	Conditions	(mA) max	Conditions	(V) max	Conditions
			T _c (°C)									I _{TM} (A)				
TMA34M-L ^{*1}	400	3		30		3	0.3	0.5	-40 to +125		0.1		2		1.5	4.5
TMA34S-L	400	3	109	30		3	0.3	0.5	-40 to +125		0.1		2		1.5	4.5
TM341S-R	400	3	109	30		3	0.3	0.5	-40 to +125		0.1		2		1.6	5
TMA54M-L ^{*1}	400	5		50		5	0.5	2	-40 to +125		0.1		2		1.5	7
TMA54S-L	400	5	102	50		5	0.5	2	-40 to +125		0.1		2		1.5	7
TM541S-R	400	5	104	50		5	0.5	2	-40 to +125		0.1		2		1.6	7
TMA84M-L ^{*1}	400	8		80		5	0.5	2	-40 to +125		0.1		2		1.5	12
TMA84S-L	400	8	92	80		5	0.5	2	-40 to +125		0.1		2		1.5	12
TMA104S-L	400	10	85	100		5	0.5	2	-40 to +125		0.1		2		1.5	14
TM1041S-R	400	10	90	80		5	0.5	2	-40 to +125		0.1		2		1.6	14
TMA124S-L	400	12	77	120		5	0.5	2	-40 to +125		0.1		2		1.5	17
TM1241S-R	400	12	84	110		5	0.5	2	-40 to +125		0.1		2		1.6	16
TMA164S-L	400	16	66	160		5	0.5	2	-40 to +125		0.1		2		1.45	20
TMA164P-L	400	16	108	160		5	0.5	2	-40 to +125		0.1		2		1.4	20
TMA164B-L	400	16	98	160		5	0.5	2	-40 to +125		0.1		2		1.4	20
TMA204S-L	400	20	53	190		5	0.5	2	-40 to +125		0.1		2		1.4	20
TMA254B-L ^{*1}	400	25		250		5	0.5	2	-40 to +125		0.1		2		1.3	20
TM2541B-L	400	25	84	240	125°C	5	0.5	2	-40 to +125		0.1		2		1.3	20
STA203A	400	1.2 · 3	97	10	50Hz	1.2	0.1	0.5	-40 to +125		0.1	25°C	1	125°C	1.6	1.6
TMA36M-L ^{*1}	600	3		30	1shot	3	0.3	0.5	-40 to +125		0.1	V _D =V _{DRM}	2	V _D =V _{DRM}	1.5	4.5
TMA36S-L	600	3	109	30		3	0.3	0.5	-40 to +125		0.1		2		1.5	4.5
TM361S-R	600	3	109	30		3	0.3	0.5	-40 to +125		0.1		2		1.6	5
TMA56M-L ^{*1}	600	5		50		5	0.5	2	-40 to +125		0.1		2		1.5	7
TMA56S-L	600	5	102	50		5	0.5	2	-40 to +125		0.1		2		1.5	7
TM561S-R	600	5	104	50		5	0.5	2	-40 to +125		0.1		2		1.6	7
TMA86M-L ^{*1}	600	8		80		5	0.5	2	-40 to +125		0.1		2		1.5	12
TMA86S-L	600	8	92	80		5	0.5	2	-40 to +125		0.1		2		1.5	12
TMA106S-L	600	10	85	100		5	0.5	2	-40 to +125		0.1		2		1.5	14
TM1061S-R	600	10	90	90		5	0.5	2	-40 to +125		0.1		2		1.6	14
TMA126S-L	600	12	77	120		5	0.5	2	-40 to +125		0.1		2		1.5	17
TM1261S-R	600	12	84	110		5	0.5	2	-40 to +125		0.1		2		1.6	16
TMA166S-L	600	16	66	160		5	0.5	2	-40 to +125		0.1		2		1.45	20
TMA166P-L	600	16	108	160		5	0.5	2	-40 to +125		0.1		2		1.4	20
TMA166B-L	600	16	98	160		5	0.5	2	-40 to +125		0.1		2		1.4	20
TMB166S-L	600	16	94	160		5	0.5	2	-40 to +150		0.2		2		1.45	20
TMA206S-L	600	20	53	190		5	0.5	2	-40 to +125		0.1		2		1.4	20
TMB206S-L	600	20	85	200		5	0.5	2	-40 to +150		0.1		2		1.4	20
TMA256B-L ^{*1}	600	25		250		5	0.5	2	-40 to +125		0.1		2		1.3	20
TM2561B-L	600	25	84	240		5	0.5	2	-40 to +125		0.1		2		1.3	20
TM583S-L	800	5	101	45		5	0.5	2	-40 to +125		0.1		2		1.6	7
TM883S-L	800	8	91	80		5	0.5	2	-40 to +125		0.1		2		1.6	10

*1: Under development

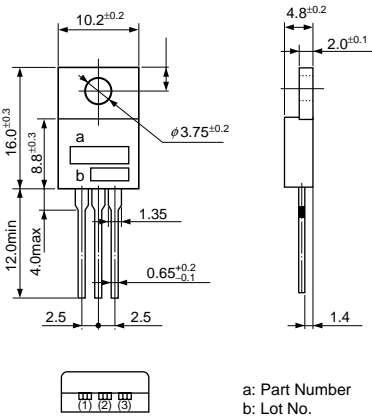
Electrical Characteristics (T_j = 25°C, unless otherwise specified)

	V _{GT}			Conditions		I _{GT}			Conditions		V _{GD}		(dv/dt) _c		R _{th(j-c)} (°C/W) max	Package	Mass (g)		
	Mode I (T2+, G+) (V) max	Mode II (T2+, G-) (V) max	Mode III (T2-, G-) (V) max	V _b (V)	R _L (Ω)	Mode I (T2+, G+) (mA) max	Mode II (T2+, G-) (mA) max	Mode III (T2-, G-) (mA) max	V _b (V)	R _L (Ω)	T _j (°C)	V _O (V)	(dv/dt) _c (-A/ms)	T _j (°C)					
	1.5	1.5	1.5	12	20	15/20	15/20	15/20	12	20	0.2	125	1/2V _{DRM}	5	1.5	125	-	TO-220	2.6
	1.5	1.5	1.5	12	20	15/20	15/20	15/20	12	20	0.2	125	1/2V _{DRM}	5	1.5	125	4.5	TO-220F	2.1
	1.8	1.2	1.2	20	40	12	12	12	20	40	0.1	125	1/2V _{DRM}	-			5	TO-220F	2.1
	1.5	1.5	1.5	12	20	15/20	15/20	15/20	12	20	0.2	125	1/2V _{DRM}	5	2.5	125	-	TO-220	2.6
	1.5	1.5	1.5	12	20	15/20	15/20	15/20	12	20	0.2	125	1/2V _{DRM}	5	2.5	125	4	TO-220F	2.1
	1.8	1.2	1.2	20	40	12	12	12	20	40	0.1	125	1/2V _{DRM}	-			4	TO-220F	2.1
	1.5	1.5	1.5	12	20	20/30	20/30	20/30	12	20	0.2	125	1/2V _{DRM}	10	4	125	-	TO-220	2.6
	1.5	1.5	1.5	12	20	20/30	20/30	20/30	12	20	0.2	125	1/2V _{DRM}	10	4	125	3.7	TO-220F	2.1
	1.5	1.5	1.5	12	20	20/30	20/30	20/30	12	20	0.2	125	1/2V _{DRM}	10	5	125	3.6	TO-220F	2.1
	2	1.2	1.2	20	40	7	7	7	20	40	0.1	125	1/2V _{DRM}	-			3.3	TO-220F	2.1
	1.5	1.5	1.5	12	20	20/30	20/30	20/30	12	20	0.2	125	1/2V _{DRM}	10	6	125	3.5	TO-220F	2.1
	1.8	1.2	1.2	20	40	8	8	8	20	40	0.1	125	1/2V _{DRM}	-			3	TO-220F	2.1
	1.5	1.5	1.5	12	20	20/30	20/30	20/30	12	20	0.2	125	1/2V _{DRM}	10	8	125	3.3	TO-220F	2.1
	1.5	1.5	1.5	12	20	30	30	30	12	20	0.2	125	1/2V _{DRM}	10	8	125	1.2	TO-3P	6.0
	1.5	1.5	1.5	12	20	30	30	30	12	20	0.2	125	1/2V _{DRM}	10	8	125	1.8	TO-3PF	6.5
	1.5	1.5	1.5	12	20	20/30	20/30	20/30	12	20	0.2	125	1/2V _{DRM}	10	10	125	3.2	TO-220F	2.1
	1.5	1.5	1.5	12	30	30	30	30	12	20	0.2	125	1/2V _{DRM}	10	12	125	1.6	TO-3PF	6.5
	2	2	2	6	10	30	30	30	6	10	0.2	125	1/2V _{DRM}	10	4	125	1.5	TO-3PF	6.5
	3.5	1.2	1.2	6	10	3	3	3	6	10	0.2	125	1/2V _{DRM}	1		125	20	SIP8(STA8Pin)	2.1
	1.5	1.5	1.5	12	20	15/20	15/20	15/20	12	20	0.2	125	1/2V _{DRM}	5	1.5	125	-	TO-220	2.6
	1.5	1.5	1.5	12	20	15/20	15/20	15/20	12	20	0.2	125	1/2V _{DRM}	5	1.5	125	4.5	TO-220F	2.1
	1.8	1.2	1.2	20	40	12	12	12	20	40	0.1	125	1/2V _{DRM}	-			5	TO-220F	2.1
	1.5	1.5	1.5	12	20	15/20	15/20	15/20	12	20	0.2	125	1/2V _{DRM}	5	2.5	125	-	TO-220	2.6
	1.5	1.5	1.5	12	20	15/20	15/20	15/20	12	20	0.2	125	1/2V _{DRM}	5	2.5	125	4	TO-220F	2.1
	1.8	1.2	1.2	20	40	12	12	12	20	40	0.1	125	1/2V _{DRM}	-			4	TO-220F	2.1
	1.5	1.5	1.5	12	20	20/30	20/30	20/30	12	20	0.2	125	1/2V _{DRM}	10	4	125	-	TO-220	2.6
	1.5	1.5	1.5	12	20	20/30	20/30	20/30	12	20	0.2	125	1/2V _{DRM}	10	4	125	3.7	TO-220F	2.1
	1.5	1.5	1.5	12	20	20/30	20/30	20/30	12	20	0.2	125	1/2V _{DRM}	10	5	125	3.6	TO-220F	2.1
	2	1.2	1.2	20	40	7	7	7	20	40	0.1	125	1/2V _{DRM}	-			3.3	TO-220F	2.1
	1.5	1.5	1.5	12	20	20/30	20/30	20/30	12	20	0.2	125	1/2V _{DRM}	10	6	125	3.5	TO-220F	2.1
	1.8	1.2	1.2	20	40	8	8	8	20	40	0.1	125	1/2V _{DRM}	-			3	TO-220F	2.1
	1.5	1.5	1.5	12	20	20/30	20/30	20/30	12	20	0.2	125	1/2V _{DRM}	10	8	125	3.3	TO-220F	2.1
	1.5	1.5	1.5	12	20	30	30	30	12	20	0.2	125	1/2V _{DRM}	10	8	125	1.2	TO-3P	6.0
	1.5	1.5	1.5	12	20	30	30	30	12	20	0.2	125	1/2V _{DRM}	10	8	125	1.8	TO-3PF	6.5
	1.5	1.5	1.5	12	20	30	30	30	12	20	0.2	125	1/2V _{DRM}	10	10	125	3.0	TO-220F	2.1
	1.5	1.5	1.5	12	20	20/30	20/30	20/30	12	20	0.2	125	1/2V _{DRM}	10	10	125	3.2	TO-220F	2.1
	1.5	1.5	1.5	12	20	30	30	30	12	20	0.2	125	1/2V _{DRM}	10	10	125	2.7	TO-220F	2.1
	1.5	1.5	1.5	12	20	30	30	30	12	20	0.2	125	1/2V _{DRM}	10	12	125	1.6	TO-3PF	6.5
	2	2	2	6	10	30	30	30	6	10	0.2	125	1/2V _{DRM}	10	4	125	1.5	TO-3PF	6.5
	2	2	2	6	10	20	20	20	6	10	0.2	125	1/2V _{DRM}	5	2	125	4	TO-220F	2.1
	2	2	2	6	10	30	30	30	6	10	0.2	125	1/2V _{DRM}	10	4	125	3.6	TO-220F	2.1

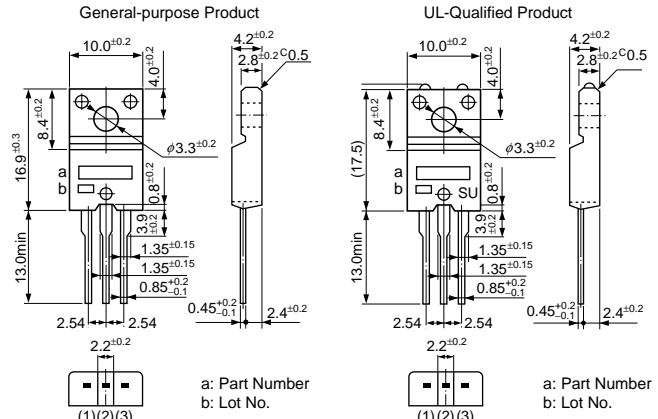


Package Type (Dimensions)

• TO-220

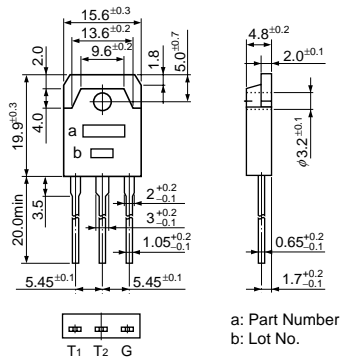


• TO-220F

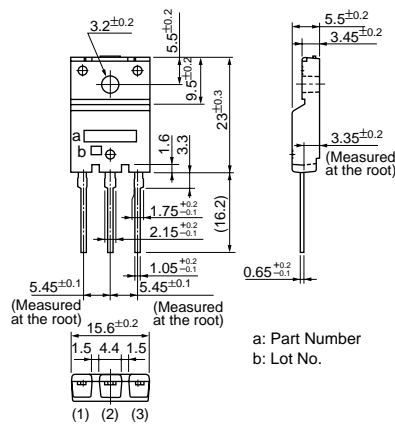


Pin No.	
(1)	Cathode (K)
(2)	Anode (A)
(3)	Gate (G)

• TO-3P

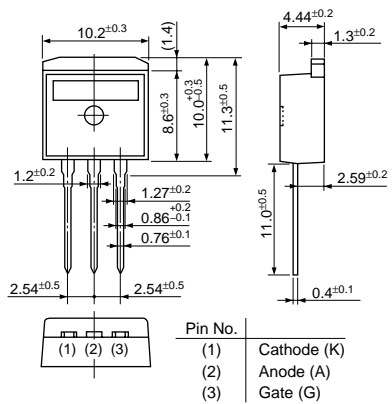


• TO-3PF

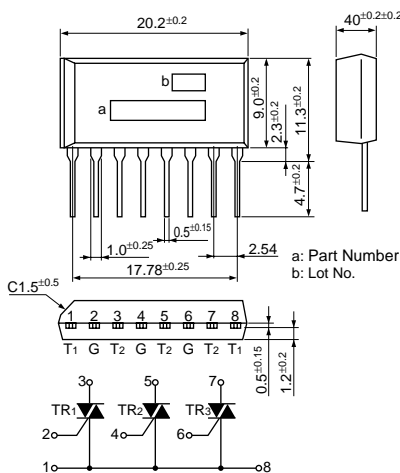


- (1) Terminal 1 (T1)
- (2) Terminal 2 (T2)
- (3) Gate (G)

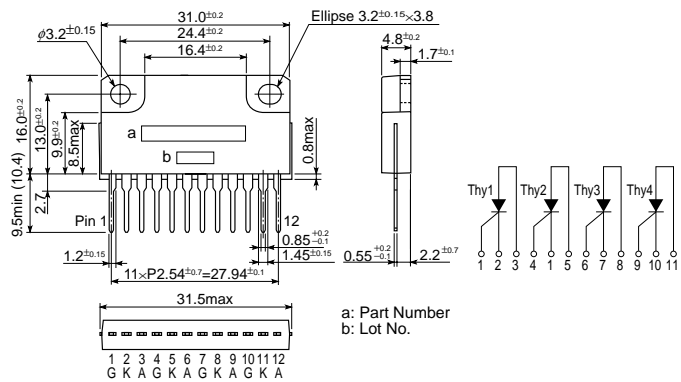
• TO-220S Straight



• STA8Pin



• SLA12Pin



(Unit: mm)