

Display type: Pioneer PDU-50WX1
Cable no.: not available
System: LVDSTX-2A-I on 786C/G/S/M/G/3.5" LCD
Status: Verified (not verified on GX1)



Settings:

Display driver: Pioneer PDU-50WX1 2.02
LVDSTX-2A-I settings: JP1 - JP5 not used, SW1(1,2,3,4,5,6)= (off,off,off,off,on,off)

(LVDSTX-2A-X (not available yet) settings: JP1 - JP5 not used, SW1(1,2,3,4,5,6)=
(off,off,off,off,on,on))

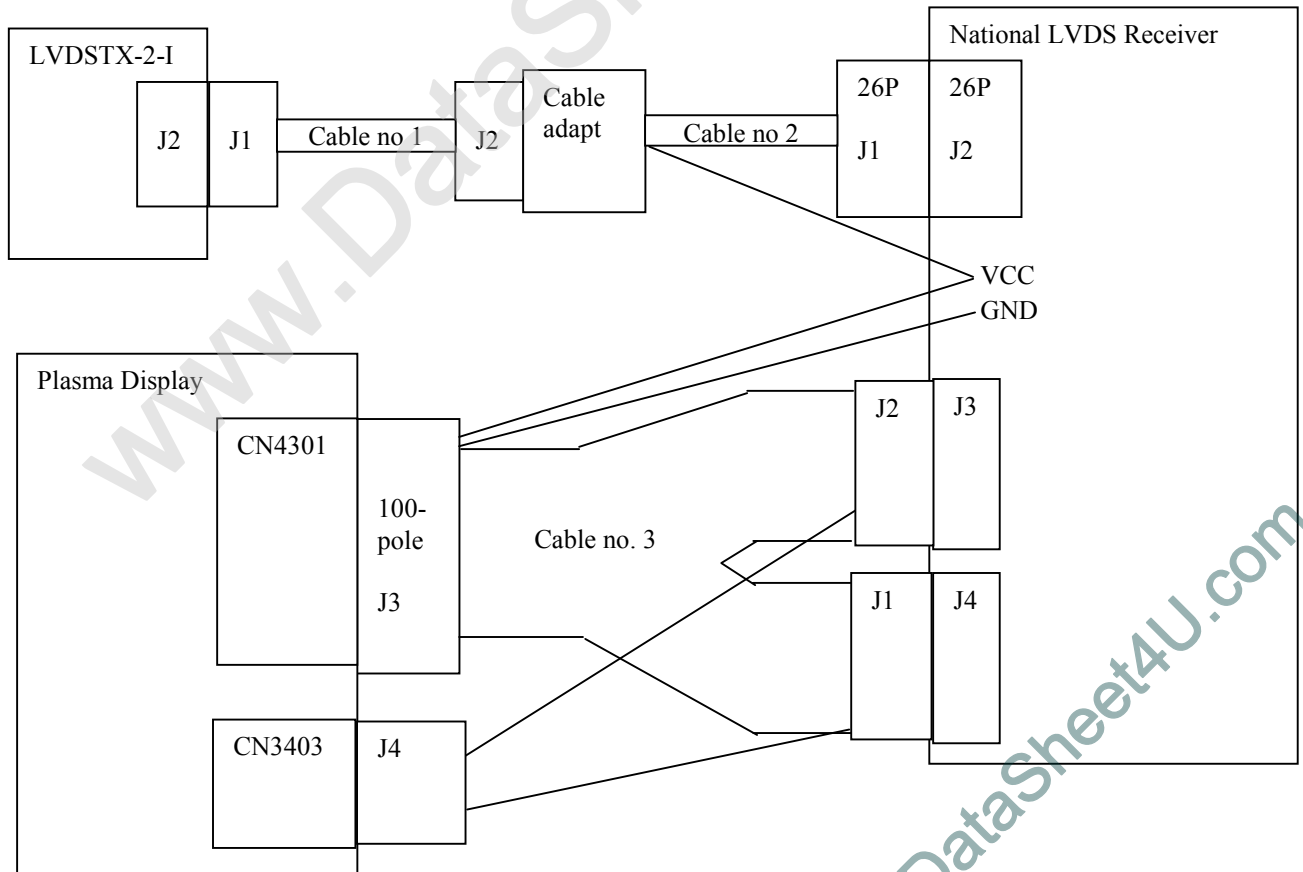
Notes:

Use SIS VGA driver version 2.02 or higher and Display block 3.03 Plasma.

If 256 colors are selected then CRT Monitor and LCD can both be on.

If 65536 colors are selected then CRT Monitor and LCD can not both be on. 65536 colors are only possible if Embedded Share Memory = 8MB or more.

If True color is selected then CRT Monitor and LCD can not both be on. True colors is only possible if Embedded Share Memory = 8MB or more and FSB/DRAM speed is 133/133.



Cable no. 1				
Conn. 1	Color	Twister/Pair	Function	Conn. 2
1	Brown	1	CLK2 -	1
14	Brown/White	1	CLK2 +	14
2	Red	2	GND	2
26	Red/Black	2	GND	26
15	Orange	3	A0 -	15
3	Orange/Black	3	A0 +	3
16	Yellow	4	A1 -	16
4	Yellow/Black	4	A1 +	4
17	Green	5	A2 -	17
5	Green/Black	5	A2 +	5
18	Blue	6	CLK1-	18
6	Blue/White	6	CLK1+	6
19	Violet	7	XCOM1	19
7	Violet/White	7	XCOM2	7
20	Grey	8	XCOM3	20
8	Grey/Black	8	XCOM4	8
21	White	9	A3 -	21
9	White/Black	9	A3 +	9
22	Pink	10	A4 -	22
10	Pink/Black	10	A4 +	10
23	Light Green	11	A5 -	23
11	Light Green/Black	11	A5 +	11
24	Light Blue	12	A6 -	24
12	Light Blue/Black	12	A6 +	12
25	Red/White	13	A7 -	25
13	Red/blue	13	A7 +	13
27	Yellow/Red	14	GNDBKL	27
30	Yellow/Blue	14	GNDBKL	30
28	White/Blue	15	+ 12V	28
29	White/Red	15	+12V	29

Cable no. 2				
Adapter	Color	Twister/Pair	Function	Conn. 2
1	White (Green + tread)	1	CLK2 -	1
2	tread (Green + White)	2	GND	2
2	Purple	7	GND	7
2	Yellow	7	GND	19
3	White (Red)	3	A0 +	3
4	White (Blue)	4	A1 +	4
5	White (Green no tread)	5	A2 +	5
6	White (Yellow)	6	CLK1+	6
9	White (Purple)	9	A3 +	9
10	Black (Red)	10	A4 +	10
11	Black (Blue)	11	A5 +	11
12	Black (Green)	12	A6 +	12
13	Black (Yellow)	13	A7 +	13
14	Green (White + tread)	1	CLK2 +	14
15	Red (White)	3	A0 -	15
16	Blue (White)	4	A1 -	16
17	Green (White no tread)	5	A2 -	17
18	Yellow (White)	6	CLK1-	18
21	Purple (White)	9	A3 -	21
22	Red (Black)	10	A4 -	22
23	Blue (Black)	11	A5 -	23
24	Green (Black)	12	A6 -	24
25	Yellow (Black)	13	A7 -	25
26	Black	8	GND	8
26	Light Blue	8	GND	20
26	Screen	2	GND	26

19	Orange (separate wire)	-	VCC (3.3V)	VCC terminal
----	------------------------	---	---------------	-----------------

Cable no. 3				
J3	Name	J1/J2	Function	Notes
1	BA0	J1, 36	B10	
2	GND	J1, 35	GND	
3	BA2	J1, 40	B12	
4	GND	J1, 39	GND	
5	BA4	J1, 44	B14	
6	GND	J1, 43	GND	
7	BA6	J1, 48	B16	
8	GND	J1, 47	GND	
9	GA0	J1, 20	G10	
10	GND	J1, 19	GND	
11	GA2	J1, 24	G12	
12	GND	J1, 23	GND	
13	GA4	J1, 28	G14	
14	GND	J1, 27	GND	
15	GA6	J1, 32	G16	
16	GND	J1, 31	GND	
17	RA0	J1, 4	R10	
18	GND	-	-	
19	RA2	J1, 8	R12	
20	GND	-	-	
21	RA4	J1, 12	R14	
22	GND	-	-	
23	RA6	J1, 16	R16	
24	GND	J1, 15	GND	
25	BB0	J2, 36	B20	
26	GND	J2, 35	GND	
27	BB2	J2, 40	B22	
28	GND	J2, 39	GND	
29	BB4	J2, 44	B24	
30	GND	J2, 43	GND	
31	BB6	J2, 48	B26	
32	GND	J2, 47	GND	
33	GB0	J2, 20	G20	
34	GND	J2, 19	GND	
35	GB2	J2, 24	G22	
36	GND	J2, 23	GND	
37	GB4	J2, 28	G24	
38	GND	J2, 27	GND	
39	GB6	J2, 32	G26	
40	GND	J2, 31	GND	
41	RB0	J2, 4	R20	
42	GND	J2, 3	GND	
43	RB2	J2, 8	R22	
44	GND	J2, 7	GND	
45	RB4	J2, 12	R24	
46	GND	J2, 11	GND	
47	RB6	J2, 16	R26	

48	GND	J2, 15	GND	
49	Mute	-	VCC	Separate wire
50	Max.P	-	VCC	Separate wire
51	GND	-	-	
52	BA1	J1, 38	B11	
53	GND	J1, 37	GND	
54	BA3	J1, 42	B13	
55	GND	J1, 41	GND	
56	BA5	J1, 46	B15	
57	GND	J1, 45	GND	
58	BA7	J1, 50	B17	
59	GND	J1, 49	GND	
60	GA1	J1, 22	G11	
61	GND	J1, 21	GND	
62	GA3	J1, 26	G13	
63	GND	J1, 25	GND	
64	GA5	J1, 30	G15	
65	GND	J1,29	GND	
66	GA7	J1, 34	G17	
67	GND	J1, 33	GND	
68	RA1	J1, 6	R11	
69	GND	-	-	
70	RA3	J1, 10	R13	
71	GND	-	-	
72	RA5	J1, 14	R15	
73	GND	J1, 13	GND	
74	RA7	J1, 18	R17	
75	GND	J1, 17	GND	
76	BB1	J2, 38	B21	
77	GND	J2, 37	GND	
78	BB3	J2, 42	B23	
79	GND	J2, 41	GND	
80	BB5	J2, 46	B25	
81	GND	J2, 45	GND	
82	BB7	J2, 50	B27	
83	GND	J2, 49	GND	
84	GB1	J2, 22	G21	
85	GND	J2, 21	GND	
86	GB3	J2, 26	G23	
87	GND	J2, 25	GND	
88	GB5	J2, 30	G25	
89	GND	J2, 29	GND	
90	GB7	J2, 34	G27	
91	GND	J2, 33	GND	
92	RB1	J2, 6	R21	
93	GND	J2, 5	GND	
94	RB3	J2, 10	R23	
95	GND	J2, 9	GND	
96	RB5	J2, 14	R25	
97	GND	J2, 13	GND	

98	RB7	J2, 18	R27	
99	Lin.P	-	VCC	Separate wire
100	Dither	-	VCC	Separate wire

Cable no. 3 continued				
J4	Name	J1	Function	Notes
1	GND	-		
2	N.C.	-		
3	GND	-		
4	HD	J1, 5	HSYNC	
5	GND	J2, 1	GND	
6	VD	J1, 3	VSYNC	
7	GND	J2, 2	GND	
8	CLK	J1, 2	CLKOUT	