

Coupling connectors

SICMA-2

6 way sealed coupling housings for 2.8 mm terminals

Features

- Double row 5 x 6 mm pitch
- Circumferential interface seal
- Waterproof application with single wire seal
- Corrugated tube locking device
- Plastic locking feature
- Mechanical polarization
- Several colour codings available



Part Numbers	No. of Position	Terminal size	Type	Colour
211 PC063S0003	6	2.8 mm	Female housing	Black
211 PC063S1003	6	2.8 mm	Female housing	Brown
211 PC063S8003	6	2.8 mm	Female housing	Grey
211 PL063S0003	6	2.8 mm	Male housing	Black
211 PL063S1003	6	2.8 mm	Male housing	Brown
211 PL063S8003	6	2.8 mm	Male housing	Grey
210 A010019			Filler plug	

Performance characteristics

- | | |
|---------------------------|----------------------|
| • Temperature range : | from -40°C to +125°C |
| • Contact retention force | : > 120 N |
| • Contact insertion force | : < 15 N |
| • Sealing protection | : IP 68 |

Construction

- | | |
|--------------------|------------|
| • Housing material | : PBT |
| • Interfacial seal | : Silicone |

Tooling

- | | |
|---------------------------|-----------|
| • Terminal removal tool : | |
| - Female terminal | : 210S045 |
| - Male terminal | : 210S047 |

Connector compatibility

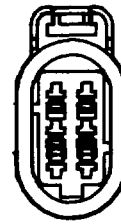
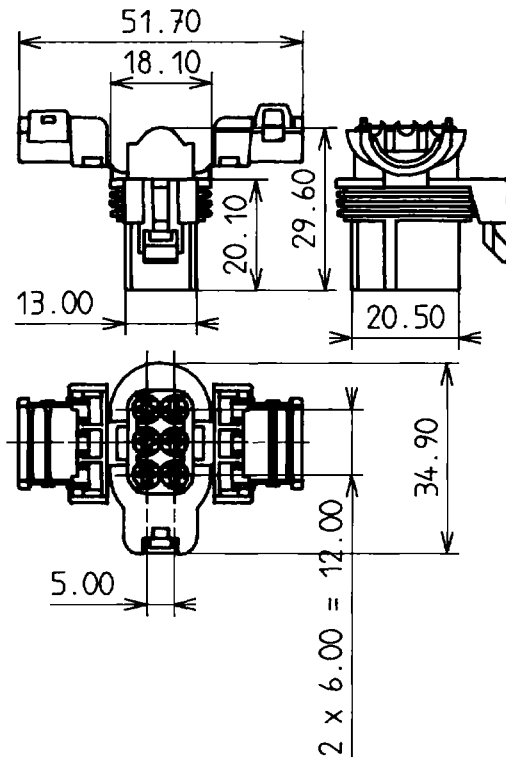
- | | |
|-----------------------------------|--|
| • Usable terminals : | |
| - Sicma-2 2.8 mm female terminals | |
| - Sicma-2 2.8 mm male terminals | |
| - Sicma-3 2.8 mm female terminals | |
| - Sicma-3 2.8 mm male terminals | |

Coupling connectors

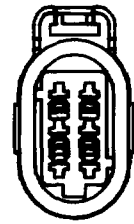
SICMA-2

Dimensional characteristics

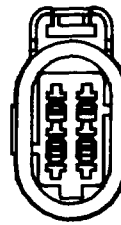
Female housings



GREY

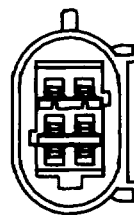
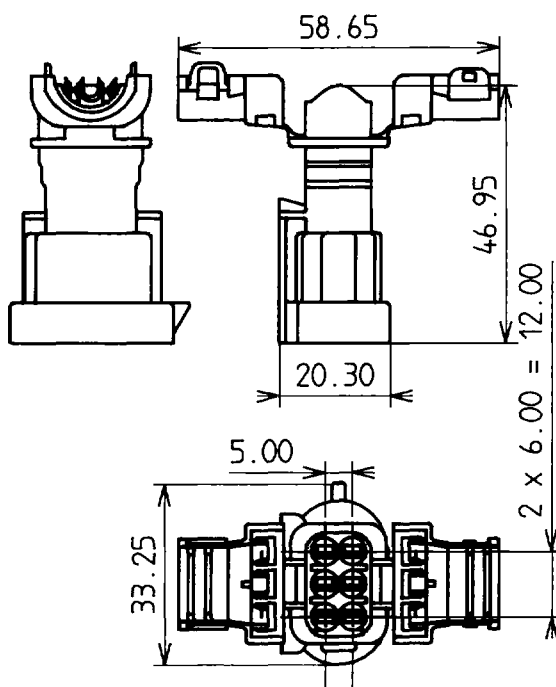


BLACK

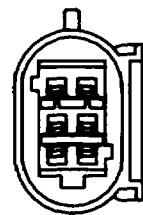


BROWN

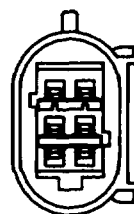
Male housings



GREY



BLACK



BROWN