

**SC-type Plug
LGC-300 series**


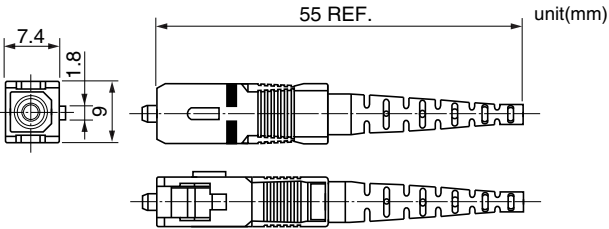
Optical fiber connector
SC-type
JIS C 5973 F04 type
Plug

Each SC-type plug consists of a plug housing and a ferrule.


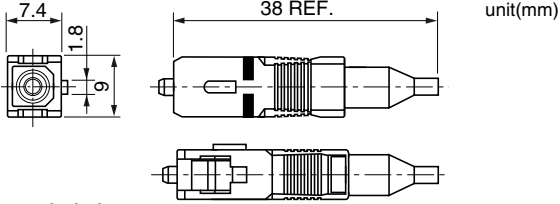
Plug housings are sorted into SC-type simplex plug housing, vertical (H type) duplex plug housing, and horizontal type (F type) duplex plug housing. The ferrule (Refer to page L-10) employed for FC-type connector plug is also applicable to these plug housings.

SC-type Simplex Plug Housing (SC-PH type Plug Housing)


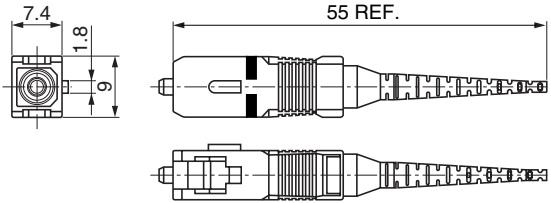
●Applicable to Optical Cords having on Outside Diameter of $\phi 2$ or $\phi 2.8$ mm (The weight reduction has been achieved by using a resin stopper.)

Item Number	Applicable Outside Diameter of Optical fiber cords	Note
LGC-PH353MK+R	$\phi 2$ mm	For PC polishing (Boot color : Blue)
LGC-PH353MKL+R		For AdPC polishing (Boot color : Mauve)
LGC-PH354MK+R	$\phi 2.8$ mm	For PC polishing (Boot color : Blue)
LGC-PH354MKL+R		For AdPC polishing (Boot color : Mauve)
		
<p style="text-align: center;">(RoHS)</p>		Ferrule is excluded.

●Applicable to Optical Cords having on Outside Diameter of $\phi 0.9$ mm (The weight reduction has been achieved by using a resin stopper.)

Item Number	Applicable Outside Diameter of Optical fiber cords	Note
LGC-PH305M	$\phi 0.9$ mm	For PC polishing (Boot color : Yellow)
LGC-PH305MB		For PC polishing (Boot color : Blue)
LGC-PH305MBL		For AdPC polishing (Boot color : Mauve)
		
<p style="text-align: center;">(RoHS)</p>		Ferrule is excluded.

●Applicable to Optical Cords having on Outside Diameter of $\phi 1.1$ mm

Item Number	Applicable Outside Diameter of Optical fiber cords	Note
LGC-PH358H+R	$\phi 1.1$ mm	For AdPC polishing (Boot color : Mauve)
		
<p style="text-align: center;">(RoHS)</p>		Ferrule is excluded.